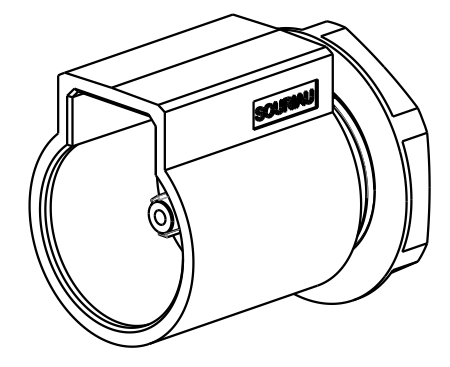
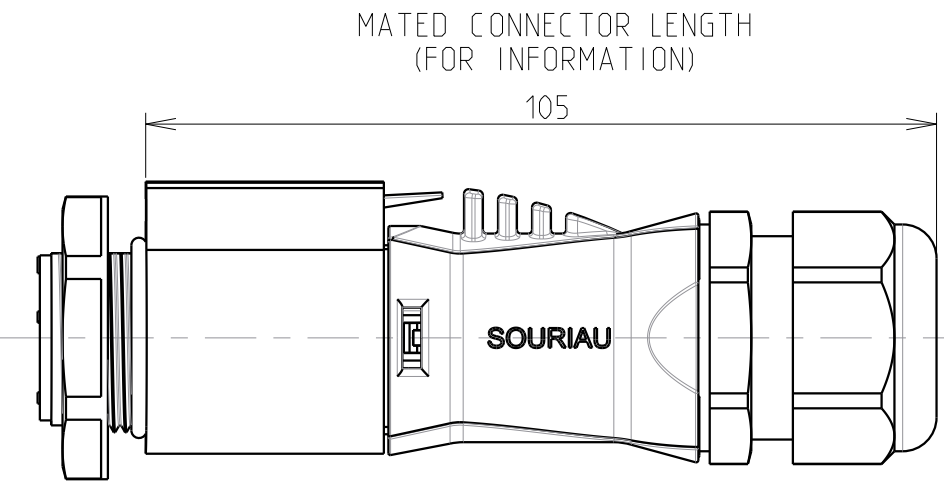


DELIVERY CONDITIONS



Country	Jurisdiction & Control List
FR	NOT LISTED

P/N : UTL7145P



SOURIAU shall not be liable for any non-conformity or damage due to a use of the Products which does not comply with the Specifications issued by either of the Parties or by a third party (professional recommendation, technical notice.)

NOTES

MATERIALS
 SHELL : BLACK POLYAMID
 NUT : BLACK POLYAMID
 O'RING : NBR

PERFORMANCES CHARACTERISTICS

MECHANICAL		
TEMPERATURE CLASS	IEC61984/UL1977	-40°C TO 105°C
DURABILITY	IEC61984	500 MATE / UNMATE CYCLES
SCOOP PROOF		
SEALING IN MATED CONDITIONS	IEC60529	IP68 1BAR DURING 1WEEK
	DIN40050	IP69K
OPEN FACE SEALED	IEC60529	WITH SEALED CONTACT REF. R*M25* CONTACTS
POLLUTION DEGREE	IEC61984	4
CORROSION SALT SPRAY		MIN 1000H EXPOSURE
FLAMMABILITY	UL94	INSULATING MATERIAL : VO LEVEL

ELECTRICAL

WITHSTANDING VOLTAGE		2200VAC DURING 1 MIN
GROUND POSITION		FIRST MATE LAST BREAK
POWER POSITION MARKED "L" AND "N"		
NOMINAL CURRENT	UL1977	16A WITH AWG14 WIRE / 13A WITH AWG16 WIRE
NOMINAL CURRENT	IEC61984	16A WITH 2.5MM² WIRE / 13A WITH 1.5MM² WIRE
NOMINAL VOLTAGE	UL1977	277V
NOMINAL VOLTAGE	IEC61984	250VAC 4KV 4 FOR CLASS II EQUIPMENT
	IEC61984	500VAC 6KV 4 FOR CLASS I EQUIPMENT
NOMINAL CURRENT AND VOLTAGE FOR CBC USE	UL1977	277V 13A WITH AWG14/16 WIRES FOR CBC USE
	IEC61984	250VAC 13A 4KV 4 FOR CBC USE
CONTROL POSITION MARKED "1" AND "2"		48V , 1A, FREQUENCY UP TO 100 Mhz

REGULATION

ROHS COMPLIANT

- COUNTERPART REFERENCE UTL PLUG
- DELIVERY CONDITIONS : CONNECTORS ARE DELIVERED AS PRE-ASSEMBLED KIT
- CONNECTOR ACCEPTS x5 TRIM TRIO CONTACTS #16, R*M* OR S*M* TYPES
- CONTACTS HAVE TO BE ORDERED SEPARATELY.
- UNIT IN MM
- WIRE INSULATOR MAX DIAMETER : Ø 3.9mm MAX
- FOR WIRING INSTRUCTION SEE BT330

A	21/12/16	First edition	24328PR
ISS	DATE	Latest modification - by:	MOD N°
Designed by:	R.M.	Date: 1 21/12/16	CUSTOMER DRAWING
TITLE	MALE RECEPTACLE TYPE 7 SIZE 14 LAYOUT 5 CTS UTL CONNECTOR		
Scale	1/1	General linear Tolerances: ± 0.2	NPRDS / PROJECT BE151304A
SOURIAU		WWW.SOURIAU.COM	This document is the property of SOURIAU. It must not be reproduced or communicated without permission.
FORMAT	A2	SOURIAU DRG N° UTL1-0079A-C	SHEET 1 / 1