

MODEL: MSS-102564-D | **DESCRIPTION:** MINI SLIDE SWITCH**FEATURES**

- red flush actuator
- blue body
- through hole mounting

**SPECIFICATIONS**

| parameter | conditions/description | min | typ | max | units |
|-----------------------|---------------------------|--------|-----------------|------------|------------------|
| rated voltage | | | | 12 24 | Vdc Vdc |
| rated current | at 12 Vdc at 24 Vdc | 1 1 | | 500 300 | mA mA |
| withstanding voltage | for 1 minute | | 500 | | Vac |
| contact resistance | | | | 30 | mΩ |
| insulation resistance | at 500 Vdc | 10,000 | | | MΩ |
| operating force | | 100 | 250 | 400 | gf |
| actuator travel | | | 1.6 | | mm |
| operating temperature | | -40 | | 85 | °C |
| storage temperature | | -40 | | 85 | °C |
| life | with load without load | | 2,000 10,000 | | cycles cycles |
| flammability rating | UL94V-0 | | | | |
| RoHS | yes | | | | |
| packaging | bulk, 200 pcs per bag | | | | |

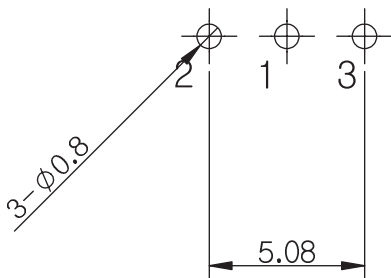
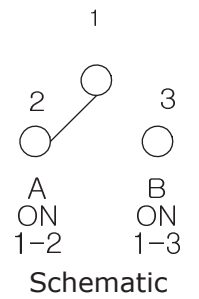
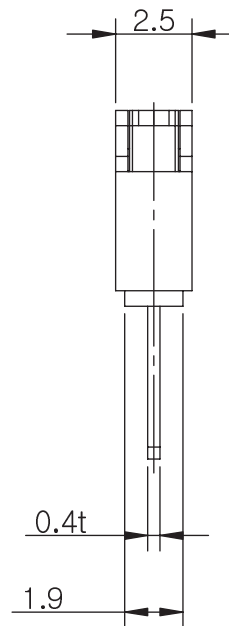
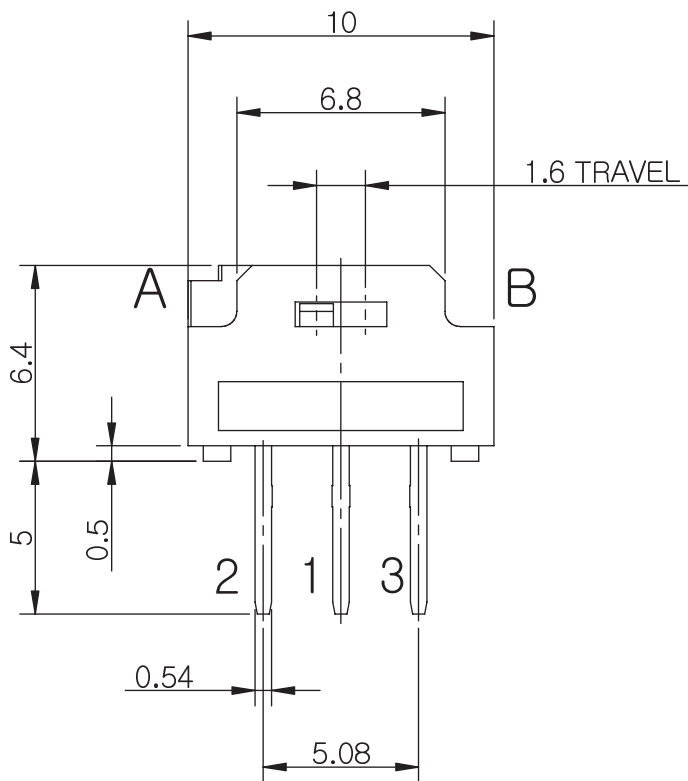
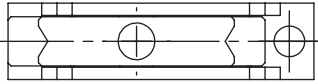
SOLDERABILITY

| parameter | conditions/description | min | typ | max | units |
|----------------|------------------------|-----|-----|-----|-------|
| hand soldering | for 3~4 seconds | | | 350 | °C |
| wave soldering | for maximum 5 seconds | | | 260 | °C |

MECHANICAL DRAWING

units: mm
 tolerance: ± 0.1 mm
 unless otherwise noted

| ITEM | DESCRIPTION | MATERIAL | PLATING/COLOR |
|------|-------------|----------------|---------------|
| 1 | actuator | PA66 (UL94V-0) | red |
| 2 | housing | PA66 (UL94V-0) | blue |
| 3 | terminals | nickel | gold |



Recommended PCB Layout
 Top View

REVISION HISTORY

| rev. | description | date |
|------|-----------------|------------|
| 1.0 | initial release | 02/19/2021 |

The revision history provided is for informational purposes only and is believed to be accurate.

CUI DEVICES

CUI Devices offers a one (1) year limited warranty. Complete warranty information is listed on our website.

CUI Devices reserves the right to make changes to the product at any time without notice. Information provided by CUI Devices is believed to be accurate and reliable. However, no responsibility is assumed by CUI Devices for its use, nor for any infringements of patents or other rights of third parties which may result from its use.

CUI Devices products are not authorized or warranted for use as critical components in equipment that requires an extremely high level of reliability. A critical component is any component of a life support device or system whose failure to perform can be reasonably expected to cause the failure of the life support device or system, or to affect its safety or effectiveness.