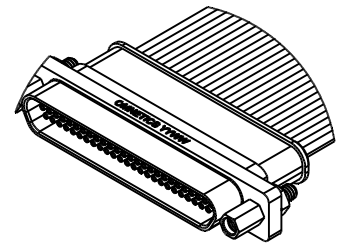
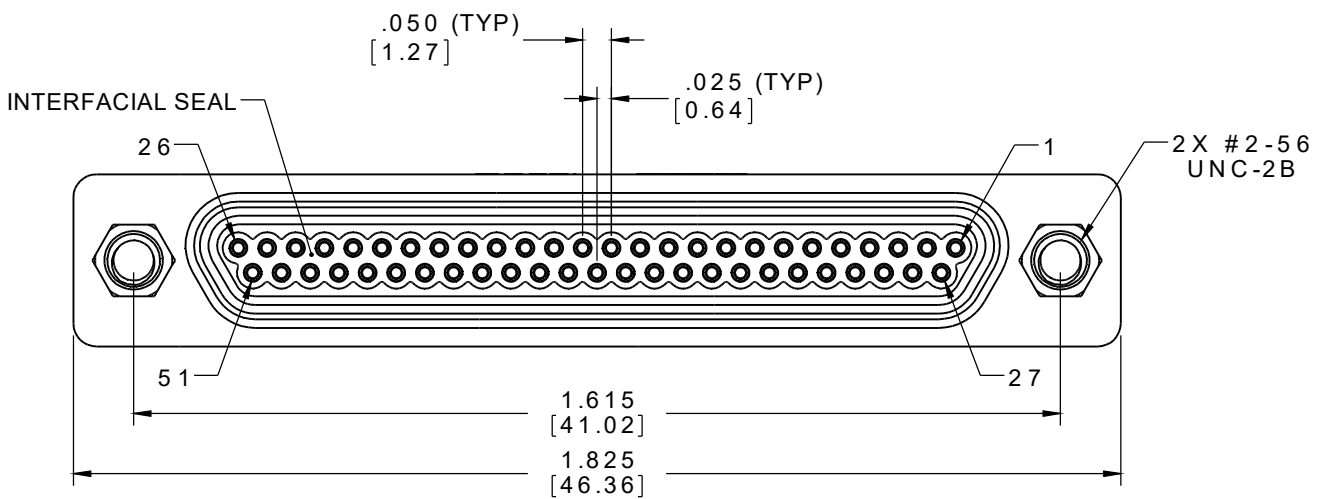
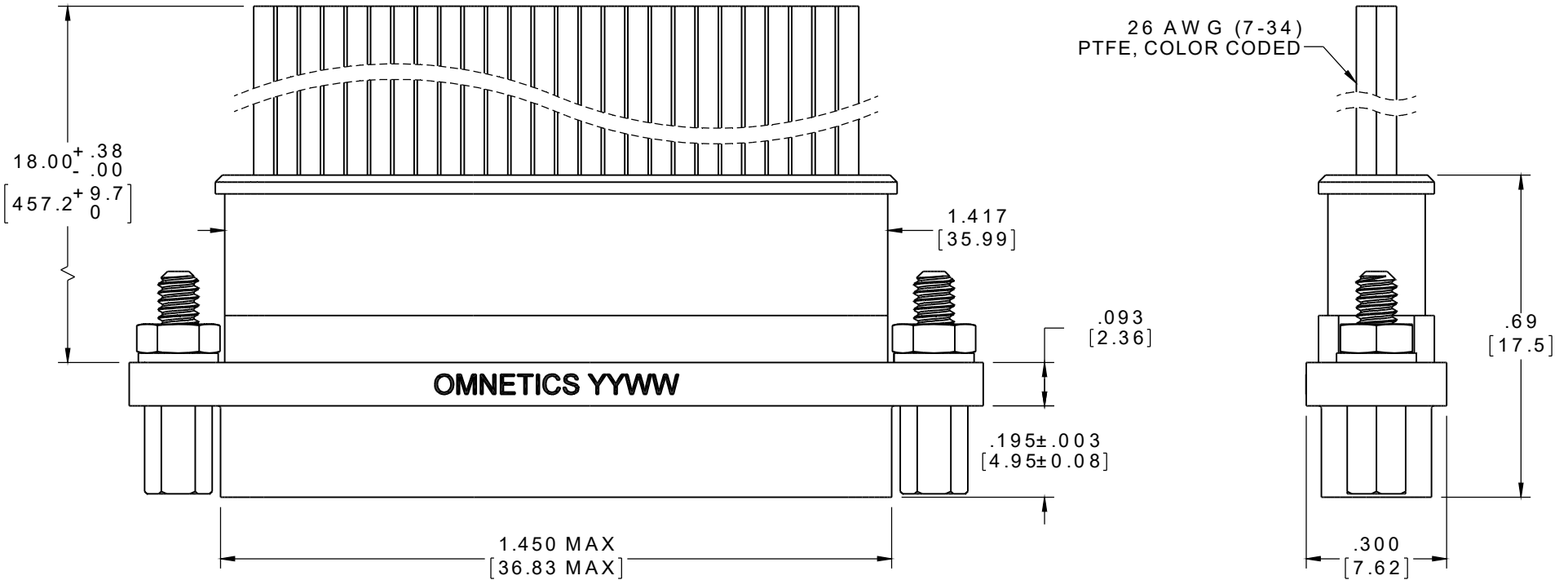


PART NO.	A99279-512	REV	ECO	DATE	APP
		A	102791	08-09-16	HV



ACTUAL SIZE
EXCLUDING WIRE LENGTH

RoHS

NOTE:
DIMENSIONS IN [] ARE IN MILLIMETERS UNLESS OTHERWISE NOTED AND ARE FOR REFERENCE ONLY

MMSD/SIDW	THIRD ANGLE	THIS DRAWING CONTAINS CONFIDENTIAL AND PROPRIETARY INFORMATION WHICH IS THE PROPERTY OF OMNETICS CONNECTOR CORP. THIS DOCUMENT MAY NOT, IN WHOLE OR IN PART, BE DUPLICATED, OR DISCLOSED FOR ANY PURPOSE, WITHOUT WRITTEN PERMISSION FROM OMNETICS CONNECTOR CORP.		OMNETICS	CAGE CODE 61873	
	-TOLERANCES-	DFTM. HV	DATE 05-31-16		TITLE: (51) SOCKET FEMALE MICRO-D CONNECTOR W/ JACKPOSTS	CONNECTION CORPORATION
	UNLESS OTHERWISE NOTED	CHK'D.	DATE	7260 COMMERCE CIRCLE EAST MINNEAPOLIS, MN 55432 WWW.OMNETICS.COM	SHEET 1 OF 2 REV A	
	DIMENSIONS IN INCHES	APP'D.	DATE		SCALE: 3:1	