

PLEASE CHECK WWW.MOLEX.COM FOR LATEST PART INFORMATION

Part Number: [0532660429](#)
Status: **Active**
Description: 7.00mm Pitch Header, Right-Angle, 4 Circuits

Documents:

3D Model	Product Specification PS-51067-007-001 (PDF)
3D Model (PDF)	Product Specification PS-51067-020-001 (PDF)
Drawing (PDF)	Packaging Specification SPK-53266-001-001 (PDF)
2D Drawing (DXF)	Packaging Specification SPK-53266-001-002 (PDF)
2D Drawing DXF (PDF)	RoHS Certificate of Compliance (PDF)

Agency Certification

CSA	LR19980
UL	E29179

General

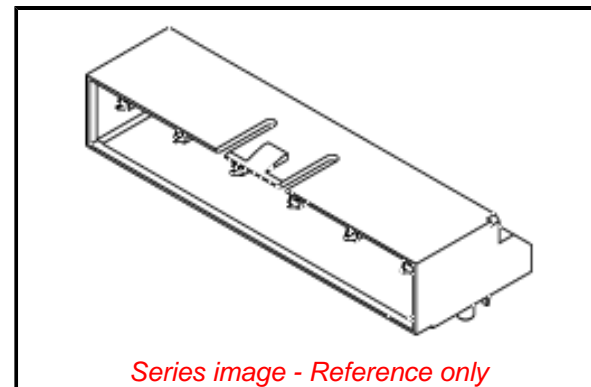
Product Family	PCB Headers
Series	53266
Application	Power, Wire-to-Board
Product Name	N/A
UPC	822348210770

Physical

Breakaway	No
Circuits (Loaded)	4
Circuits (maximum)	4
Durability (mating cycles max)	30
First Mate / Last Break	No
Flammability	94V-0
Glow-Wire Capable	No
Guide to Mating Part	No
Keying to Mating Part	None
Lock to Mating Part	Yes
Mated Height	9.70mm
Material - Metal	Brass
Material - Plating Mating	Tin
Material - Plating Termination	Tin
Net Weight	1792.400/mg
Number of Rows	1
Orientation	Right Angle
PC Tail Length	3.50mm
PCB Locator	Yes
PCB Retention	None
PCB Thickness - Recommended	1.60mm
Packaging Type	Tray
Pitch - Mating Interface	7.00mm
Plating min - Mating	1.016µm
Plating min - Termination	1.016µm
Polarized to Mating Part	Yes
Polarized to PCB	Yes
Shrouded	Fully
Stackable	No
Temperature Range - Operating	-40° to +105°C
Termination Interface: Style	Through Hole

Electrical

Current - Maximum per Contact	6.0A
-------------------------------	------



EU ELV

Not Relevant

EU RoHS

Compliant
REACH SVHC

Not Contained Per -
D(2021)4569-DC (8
July 2021)

Halogen-Free

Status

Not Low-Halogen

For more information, please visit [Contact US](#)

China ROHS

ELV

RoHS Phthalates

China RoHS

Green Image

Not Relevant

Not Contained

Search Parts in this Series

[53266 Series](#)

Mates With

[510670700 Wire-to-Board Crimp Housing](#)

Voltage - Maximum

250V

Material Info

Reference - Drawing Numbers

Packaging Specification

SPK-53266-001-001, SPK-53266-001-002

Product Specification

PS-51067-007-001, PS-51067-020-001

Sales Drawing

SD-53266-002-001

This document was generated on 10/22/2021

PLEASE CHECK WWW.MOLEX.COM FOR LATEST PART INFORMATION