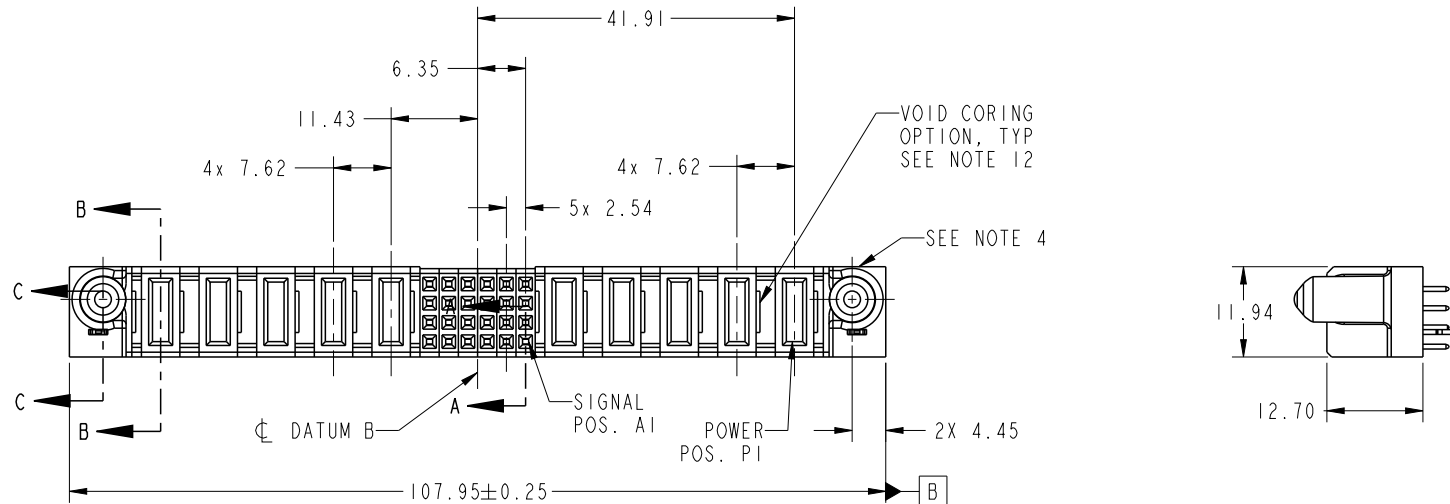


PRODUCT NO. 51940-429-- NOTE: 3	ROWS D C B A	E2	POWER					SIGNAL					POWER					E1				
			P10	P9	P8	P7	P6	6	5	4	3	2	1	P5	P4	P3	P2		P1			
			PA	PA	PA	PA	PA	E	E	E	E	E	E	E	E	E	PA	PA	PA	PA	PA	



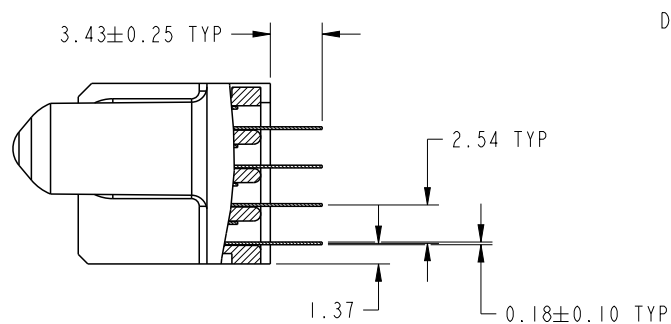
CODE	DIM "M" MATING LENGTH	CONTACT TYPE
E	[N/A]	SIGNAL
PA	[1.07]	POWER
HA	[N/A]	HOLD-DOWN

spec ref	-		dr	Kar Babu	2012/04/24	projection 	MM ←→	size	A4	scale	1:1
tolerance std	TOLERANCES UNLESS OTHERWISE SPECIFIED		eng	De-Ming Lu	2014/04/02			ecn no	-		
SEE NOTES			chr	-	-			rel level	Released		
surface	linear	0.X	±0.5		5P + 24S + 5P	product family	PwrBlade	dwg no	51940-429	rev	A
		0.XX	±0.25								
	angular	0°	±2°	www.fci.com	cat. no.	Product - Customer Drw		sheet 1 of 4			

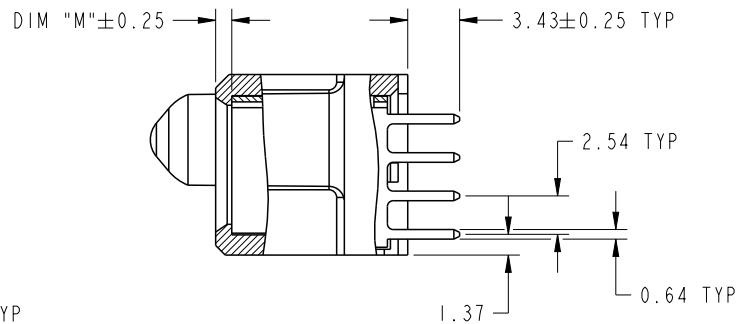
Prdr File - REV C - 2009-06-09

PRODUCT NUMBER

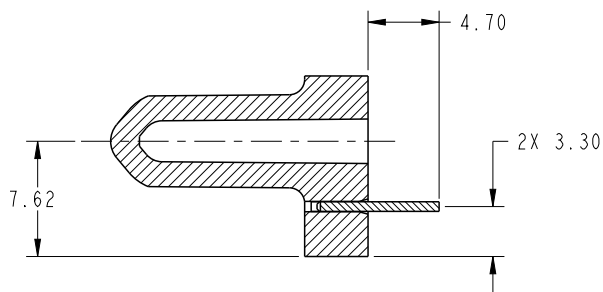
51940-429\_\_  
NOTE: 3



SECTION A-A  
SCALE 2:1



SECTION B-B  
SCALE 2:1



SECTION C-C  
SCALE 2:1

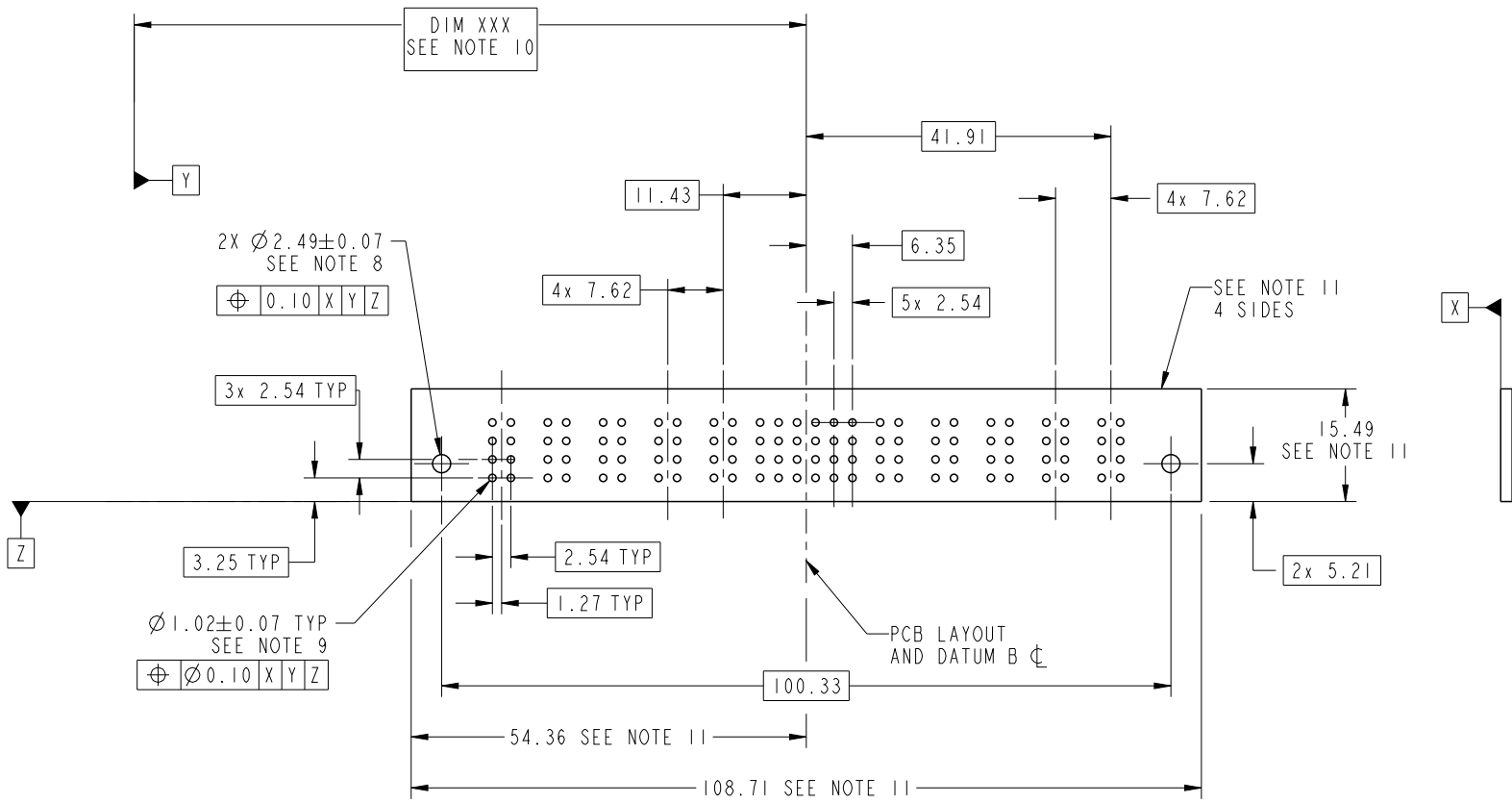
dr	Kar Babu	2012/04/24	projection 	MM 	size	A4	scale	1:1
eng	De-Ming Lu	2014/04/02			ecn no	-		
chr	-	-			rel level	Released		
appr	Pei-Ming Zheng	2014/04/02	product family	PwrBlade	rev	A		
		title 5P + 24S + 5P VERTICAL STB RECEIPT	dwg no 51940-429	cat. no. *	Product - Customer Drw	sheet 2 of 4		



Copyright FCI.

PRODUCT NUMBER

51940-429\_\_  
NOTE: 3



RECOMMENDED PCB LAYOUT

dr	Kar Babu	2012/04/24	projection 	MM ←→	size	A4	scale	1:1
eng	De-Ming Lu	2014/04/02			ecn no	-		
chr	-	-			rel level	Released		
appr	Pei-Ming Zheng	2014/04/02	product family	PwrBlade	rev	A		
	title		5P + 24S + 5P	dwg no	51940-429			
	VERTICAL STB RECEPT							
www.fci.com	cat. no.	*	Product - Customer Drw	sheet 3 of 4				

PRODUCT NUMBER

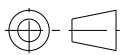
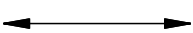

51940-429\_\_  
NOTE: 3

NOTES:

1. DIMENSIONS AND TOLERANCES ARE IN ACCORDANCE WITH ASME Y14.5M, 1994 UNLESS OTHERWISE SPECIFIED.

CONNECTOR NOTES:

- ② HOUSING MATERIAL: UL 94 V-0 GLASS FILLED HIGH-TEMP THERMOPLASTIC  
POWER CONTACT MATERIAL: COPPER ALLOY  
SIGNAL PIN MATERIAL: COPPER ALLOY
- 3. SEE ITEM 5 & 6 IN PRINT 10064183 FOR PLATING SPEC OF 51940-429 AND 51940-429LF RESPECTIVELY.
- ④ MANUFACTURER'S NAME, DATE CODE AND OPTIONAL P/N TO APPEAR ON THIS SURFACE. THE P/N CAN BE OMITTED IF THERE IS NOT ENOUGH SPACE ON THIS SURFACE.
- 5. PRODUCT SPECIFICATION GS-12-149.  
APPLICATION SPECIFICATION BUS-20-067.
- 6. PACKAGED IN TRAYS.
- PCB NOTES:
- 7. ALL HOLE DIAMETERS ARE FINISHED HOLE SIZE.
- ⑧ MOUNTING HOLES, WHERE APPLICABLE, ARE UNPLATED.
- ⑨  $\varnothing 1.151 \pm 0.025$  DRILLED HOLES PLATED WITH  
0.008 MIN SnPb OR Sn OVER 0.03  
TO 0.08 Cu PLATING TO ACHIEVE  
 $\varnothing 1.02 \pm 0.07$  HOLE.
- ⑩ "DIM XXX" TO BE DETERMINED BY THE CUSTOMER.
- ⑪ CONNECTOR KEEP-OUT ZONE.
- 12. THE VOID CORING IN BETWEEN POWER MODULES, SIGNAL MODULES AND END MODULES ARE OPTIONAL AND THE SHAPE MAY BE DIFFERENT FOR OPTIMIZE THE MOLDING PROCESS. THE VOID CORING WILL NOT EFFECT TO PRODUCT FUNCTION.

dr	Kar Babu	2012/04/24	projection 	MM 	size	A4	scale	1:1
eng	De-Ming Lu	2014/04/02			ecn no	-		
chr	-	-			product family	PwrBlade	rel level	Released
appr	Pei-Ming Zheng	2014/04/02			title 5P + 24S + 5P VERTICAL STB RECEPT	dwg no 51940-429	rev A	
www.fci.com		cat. no.	*	Product - Customer Drw		sheet 4 of 4		