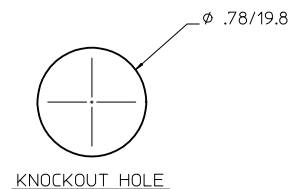
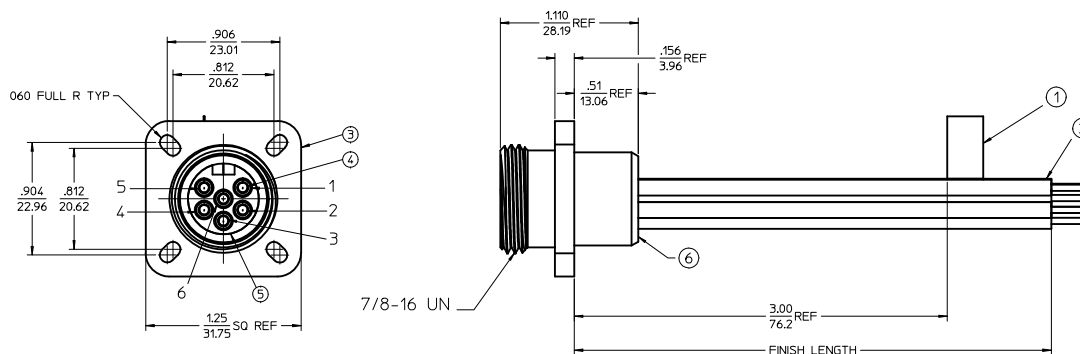
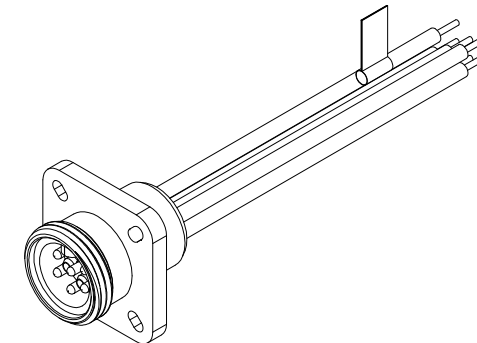


MATERIAL NUMBER	OLD PART NUMBER	FINISH LENGTH
130013-0620	1R6G06A20A120	1.0'+.75-0 [.3M+19.1-0]

VOLTAGE RATING	600 VAC/VDC
AMPERAGE RATING	8A
PROJECTION	IP67
OPERATING TEMPERATURE	-20° C TO 105° C
UL CERTIFICATIONS	UL RECOGNIZED, FILE NO. E152210
CSA CERTIFICATIONS	CSA CERTIFIED, FILE NO. LR6837



WIRING DIAGRAM

- 1 WHITE
- 2 RED
- 3 GREEN/YELLOW-GND
- 4 ORANGE
- 5 BLACK
- 6 BLUE

ITEM.	QTY.	COMPONENT	MATERIAL	FINISH
1	1	FLAG LABEL	PLASTIC FILM	BLACK/YELLOW
2	6	CONDUCTOR-16 AWG. 26X#30 COPPER STRANDING 600V	PVC	SEE WIRING DIAGRAM
3	1	RECEPTACLE SHELL	ALUMINUM	ANODIZED
4	6	CONTACT PIN	COPPER ALLOY	GOLD PLATED
5	1	6 POLE INSERT	PVC	YELLOW
6	1	POTTING	EPOXY	BLACK

CREATE DOC EC NO: WNA2010-0423 DRAWN BY: RUPERT CHKD: J. MURPHY APPR: J. MURPHY DATE: 2010/01/14	QUALITY SYMBOLS ▽=0 ▽=0	GENERAL TOLERANCES (UNLESS SPECIFIED)		DIMENSION STYLE IN/MM	SCALE 2:1	DESIGN UNITS INCH	THIRD ANGLE PROJECTION			
		4 PLACES ± .005	3 PLACES ± .005	2 PLACES ± 0.013	1 PLACE ± .005	ANGULAR ± 1/2°	DRAFT WHERE APPLICABLE MUST REMAIN WITHIN DIMENSIONS	DRAWN BY: RUPERT DATE: 01/07/2010 CHECKED BY: J. WOODMAN DATE: 01/07/2010 APPROVED BY: J. MURPHY DATE: 2010/01/14	TITLE MALE FLANGE RECEPTACLE MINI-CHANGE 6P 16AWG PVC	MATERIAL NO. SEE CHART