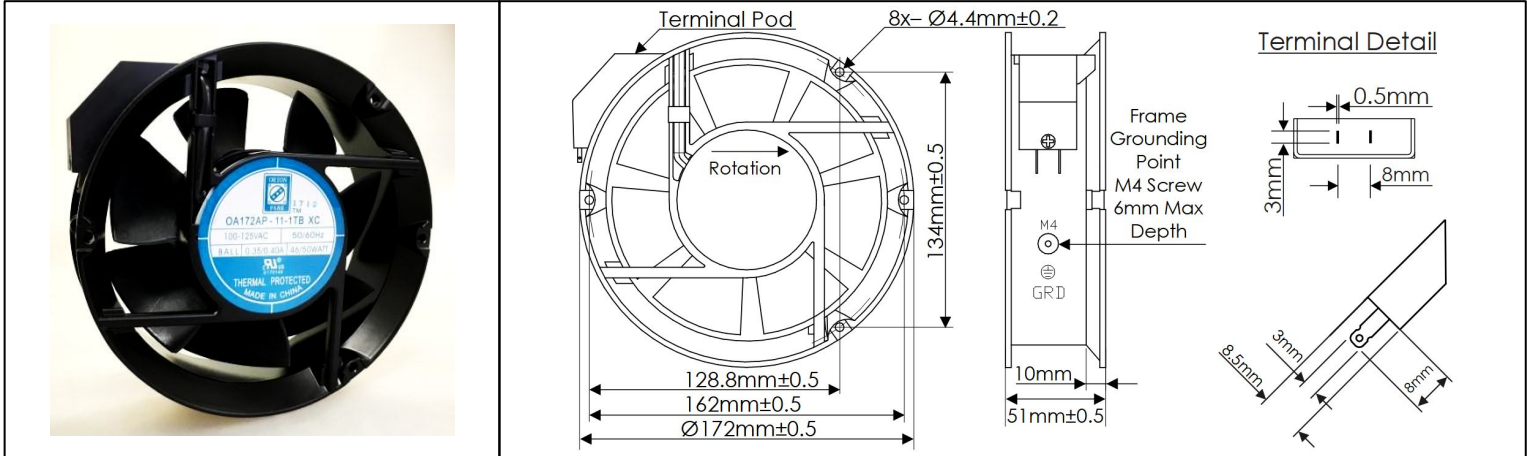


# OA172AP XC Series



AC Fans - 115, 230V  
172mm x 51mm (6.7" x 2.0")



<b>Frame</b>	Die Cast Aluminum, Black Finish	<b>Operating Temperature</b> -10°C ~ +65°C  <b>Storage Temperature</b> -25°C ~ +70°C  <b>Life Expectancy</b> 60,000 Hours (L10 at 40°C)  <b>Available Options</b> IP Ratings  Weight: 2.20 lbs.	
<b>Impeller</b>	PBT, UL94 V-0 Plastic		
<b>Connection</b>	Terminals		
<b>Motor</b>	AC, Capacitor Induction, Single Phase, Impedance Protected, Thermally Protected @ 125°C, Class B Insulation		
<b>Bearing System</b>	Ball Bearings		
<b>Dielectric Strength</b>	1500VAC/min, <1mA		
<b>Insulation Resistance</b>	≥10MΩ @ 500V DC		

Part Number	Rated Voltage (Volts AC)	Voltage Range (Volts AC)	Input Power (Watts)	Frequency (Hertz)	Rated Speed (RPM)	Max Airflow (CFM)	Noise Level (dBA)	Max Static Pressure ("H <sub>2</sub> O)
OA172AP-11-1TBXC	115	80 ~ 125	46 / 50	50 / 60	2600 / 3300	250 / 293	56 / 61	0.63 / 0.78
OA172AP-22-1TBXC	230	220 ~ 240	46 / 50	50 / 60	2600 / 3300	250 / 293	56 / 61	0.63 / 0.78