



PRODUCT DATASHEET

Irene series

last update 6/2/2015

DETAILS

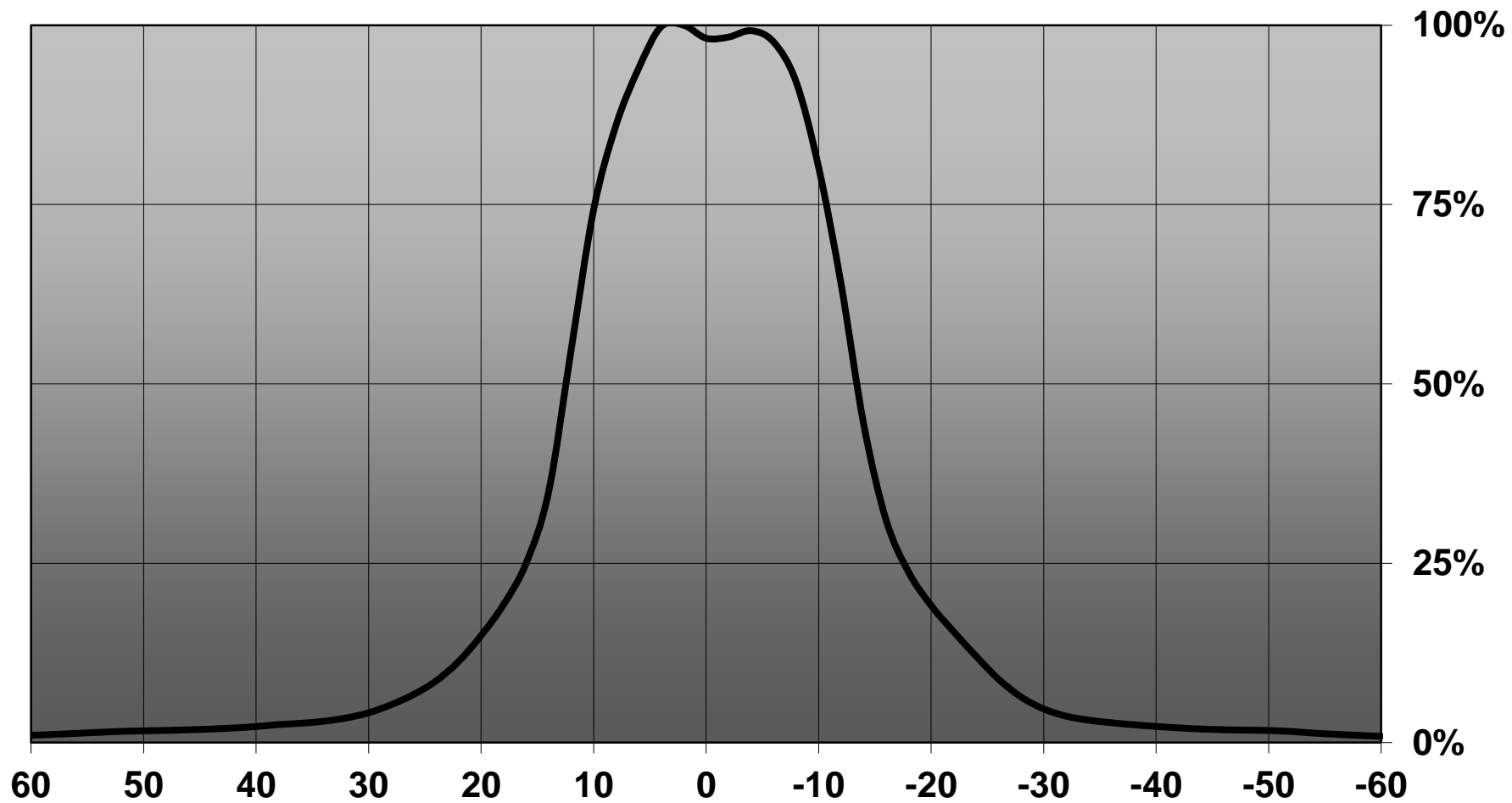
Product Number	CP13071_IRENE-IR-12
Family	Irene
Type	Assembly
Color	white
Diameter	21,6 mm
Height	14,28 mm
Style	round
Optic Material	PMMA
Holder Material	
Fastening	pin, glue
Status	production ready
ROHS Compliant	Yes
Date Updated	6/02/2015



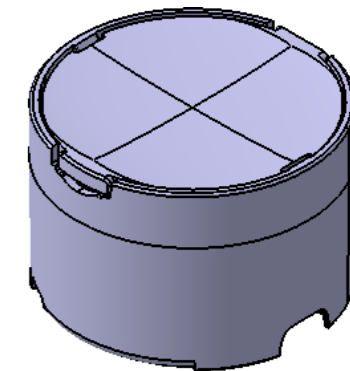
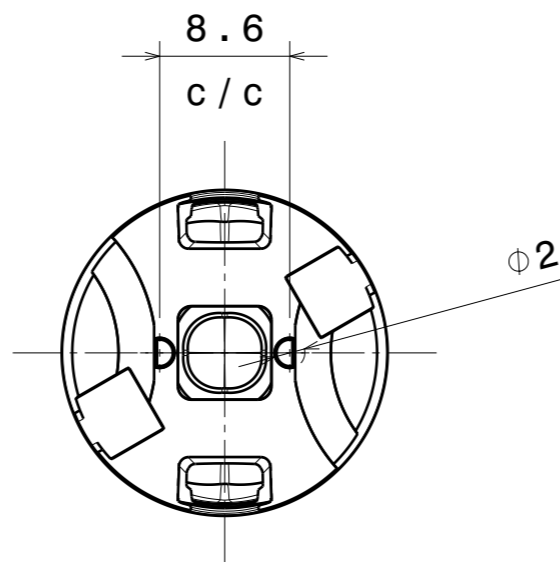
OPTICAL PROPERTIES

LED	Viewing	Light	Effi-	cd/lm	Connector
	Angle	Beam	ciency		
SFH 4715S	25+25 deg	REC-class	-	-	-
SFH 4725S	26+26 deg	REC-class	-	-	-
SFH 4770S	sim: 24+24	REC-class	sim: 94 %	-	-

Relative intensity of CP13071_IRENE-IR-12SFH4725S



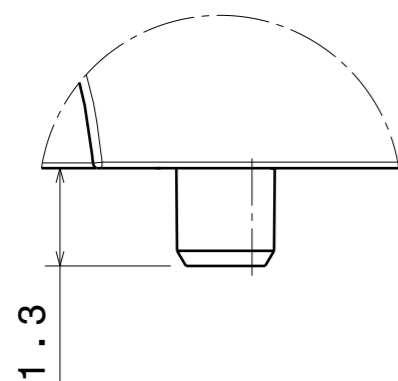
DESCRIPTION	MATERIAL
LENS	PMMA
HOLDER	PC, white



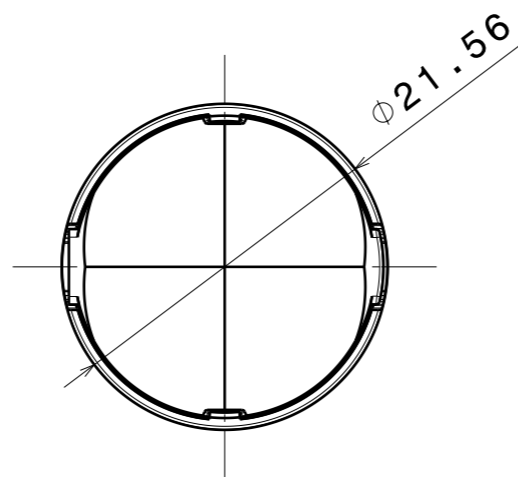
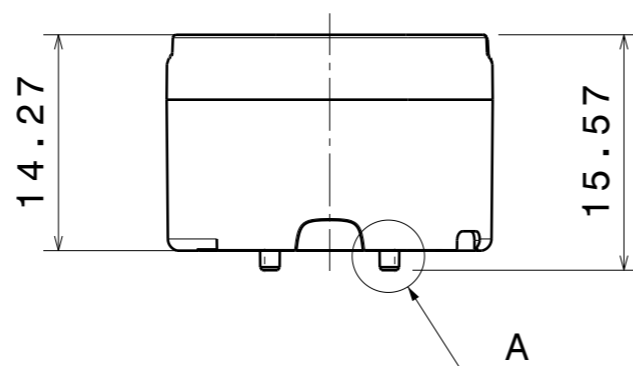
Isometric view
Scale: 2:1

Tolerances if not otherwise shown:
According to DIN ISO 2768-1
Linear measures:
Up to 30mm class M, otherwise class C.
According to DIN ISO 2768-2
Form and position:
class L


Control for SPC marked dimensions.

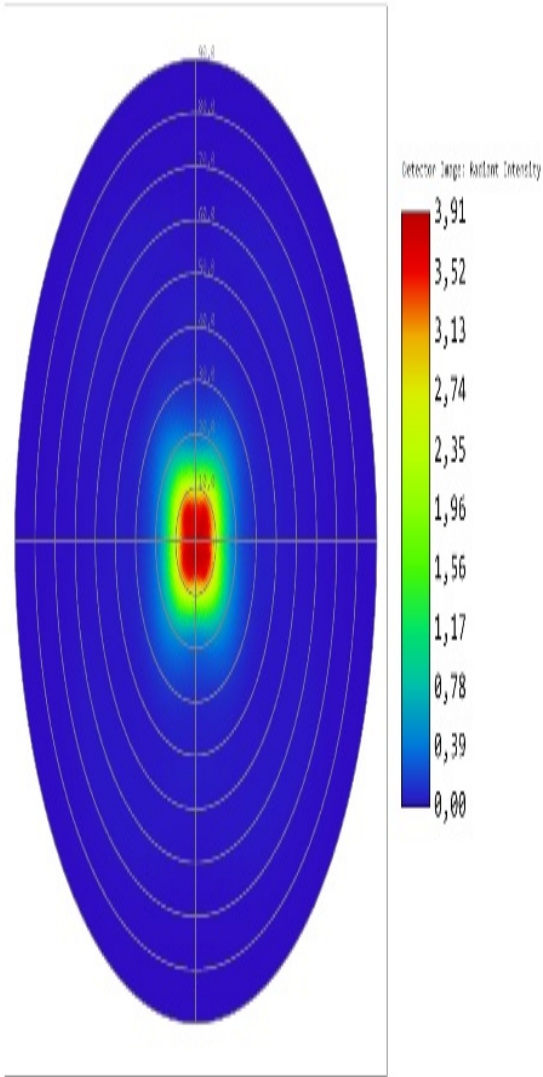


Detail A
Scale: 10:1



Assembly Number	Description	Holder	Lens
CP13069	IRENE-IR-4	C13068	C13063
CP13070	IRENE-IR-8	C13068	C13064
CP13071	IRENE-IR-12	C13068	C13065
CP13072	IRENE-IR-16	C13068	C13066
CP13073	IRENE-IR-25	C13068	C13067

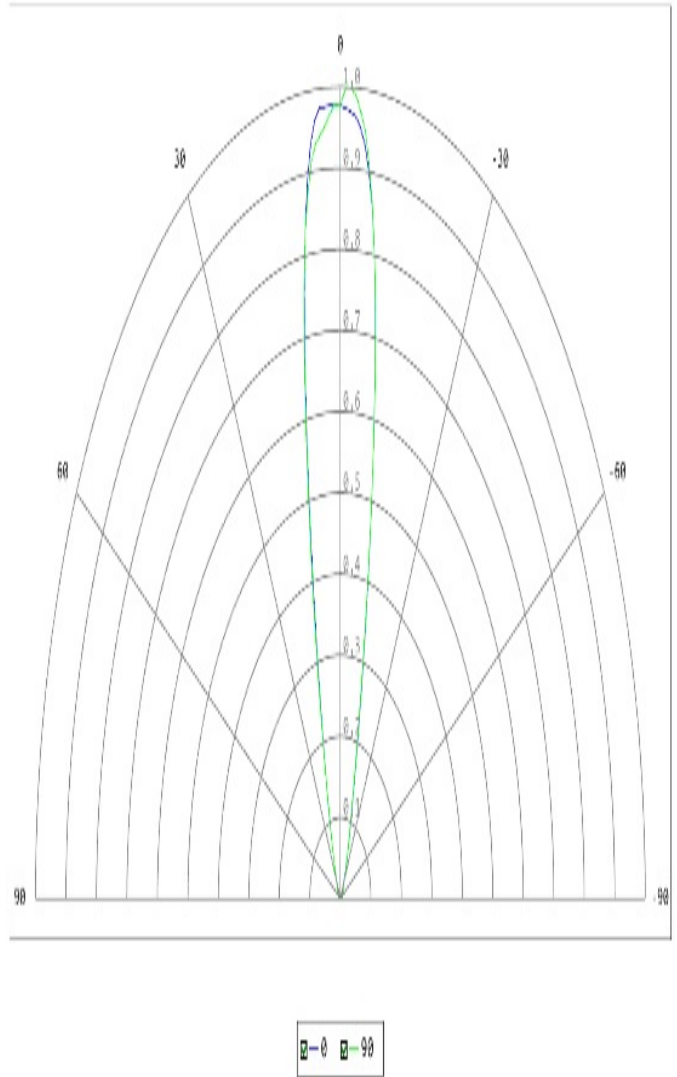
This drawing is our property. It can't be reproduced or communicated without our written agreement.		 Ledil Oy Salorankatu 10 FIN 24240 SALO Finland	
DRAWING TITLE		Datasheet	
DRAWN BY	DATE	IRENE	
ls	06.02.2015		
CHECKED BY	DATE	SIZE	DRAWING NUMBER
		A3	-
DESIGNED BY	DATE	SCALE	WEIGHT
-		2:1	4,83 g
		SHEET	1/1



Detector Image: Radiant Intensity

14.4.2016
 Detector 6, NSCG Surface 1:
 Max polar angle: 90,00 deg, Total Hits = 1297578
 Peak Intensity : 3,910E+000 Watts/Steradian
 Total Power : 9,509E-001 Watts

Zemax
 Zemax OpticStudio 15.5 SP2
 CP13071_IRBIE-IR-12 (SPH 47705) SIMULATED.zmx
 Configuración 1 of 1



Detector Image: Radiant Intensity

14.4.2016
 Detector 6, NSCG Surface 1:
 Scan Angles: 0, 90
 Peak Intensity : 3,848E+000 Watts/Steradian

Zemax
 Zemax OpticStudio 15.5 SP2
 CP13071_IRBIE-IR-12 (SPH 47705) SIMULATED.zmx
 Configuración 1 of 1

NOTE: The typical divergence will be changed by different color, chip size and chip position tolerance. The typical total divergence is the full angle measured where the luminous intensity is half of the peak value.