

80 mm sq.

San Ace 80



Model no. 9GA0812H7001 is not certified.

General Specifications

- Material Frame: Plastics (Flammability: UL94V-0),
Impeller: Plastics (Flammability: UL94V-0)
- Expected Life Refer to specifications (L10: Survival rate: 90% at 60°C ,
rated voltage, and continuously run in a free air state)
- Lead Wire ⊕red ⊖black (Sensor) yellow (Control) brown
(For models without PWM control function, there is no
speed control wiring.)
- Storage Temperature ... -30°C to +70°C (Non-condensing)

80×80×15 mm (Mass : 65g) **9GA** type **Low Power Consumption Fan**

Specifications

The following nos. **have PWM controls, pulse sensors, and ribs.**

Model No.	Rated Voltage [V]	Operating Voltage Range [V]	PWM duty cycle ^{Note①} [%]	Rated Current [A]	Rated Input [W]	Rated Speed [min ⁻¹]	Max. Airflow [m ³ /min] [CFM]	Max. Static Pressure [Pa] [inchH ₂ O]	SPL [dB(A)]	Operating Temperature [°C]	Expected Life [h]
9GA0812P7G001	12	10.2 to 13.8	100	0.29	3.48	6,100	1.44 50.9	84.0 0.34	41	-20 to +70	40,000/60°C (70,000/40°C)
9GA0812P7S001			100	0.17	2.04	5,000	1.18 41.7	56.4 0.23	37		
9GA0824P7G001	24	20.4 to 27.6	100	0.13	3.12	6,100	1.44 50.9	84.0 0.34	41		
9GA0824P7S001			100	0.08	1.92	5,000	1.18 41.7	56.4 0.23	37		

Note: Fan does not rotate when PWM duty cycle is 0%.

※PWM Frequency : 25kHz

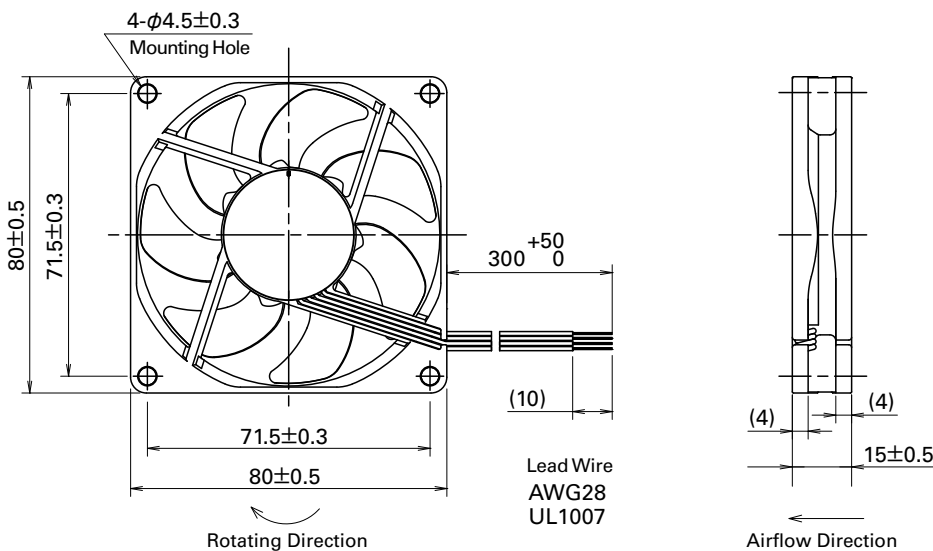
The following nos. **have pulse sensors and ribs.**

Model No.	Rated Voltage [V]	Operating Voltage Range [V]	Rated Current [A]	Rated Input [W]	Rated Speed [min ⁻¹]	Max. Airflow [m ³ /min] [CFM]	Max. Static Pressure [Pa] [inchH ₂ O]	SPL [dB(A)]	Operating Temperature [°C]	Expected Life [h]
9GA0812H7001	12	6 to 13.2	0.09	1.08	3,800	0.89 31.4	32.6 0.13	29	-20 to +70	40,000/60°C (70,000/40°C)
9GA0824H7001	24	12 to 26.4	0.05	1.20	3,800	0.89 31.4	32.6 0.13	29		

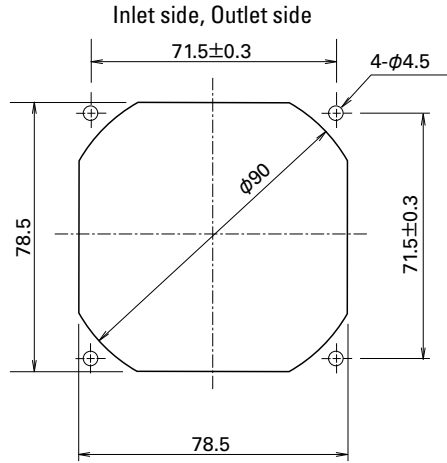
Other sensor specifications are available as options. Please refer to the index (pp. 505 to 506).

Dimensions (unit: mm)

(With PWM control function · With pulse sensor)



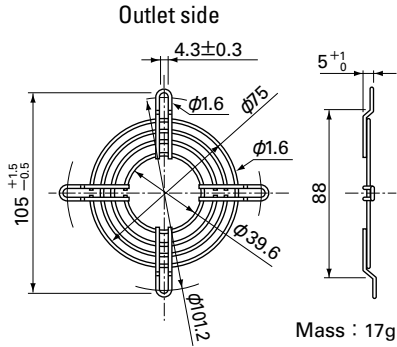
Reference Dimensions of Mounting Holes and Vent Opening (unit: mm)



Options (unit: mm)

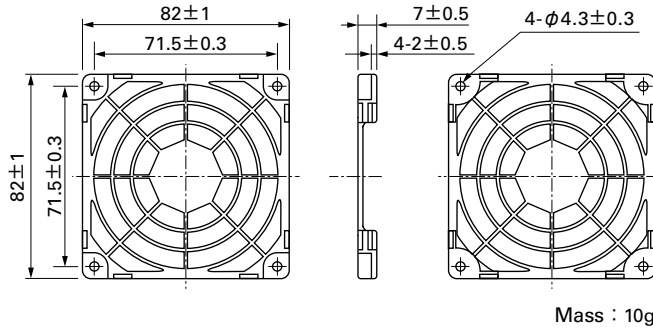
Finger Guards

Model : 109-049C Surface treatment : Nickel-chrome plating (silver) Color : Nickel-chrome plating (silver)

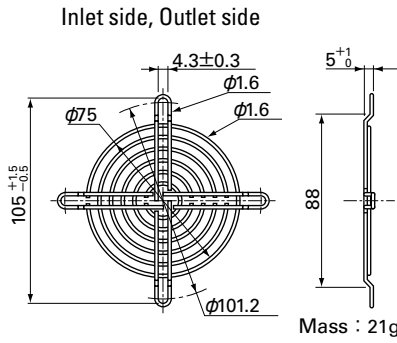


Resin Finger Guards

Model : 109-1002G

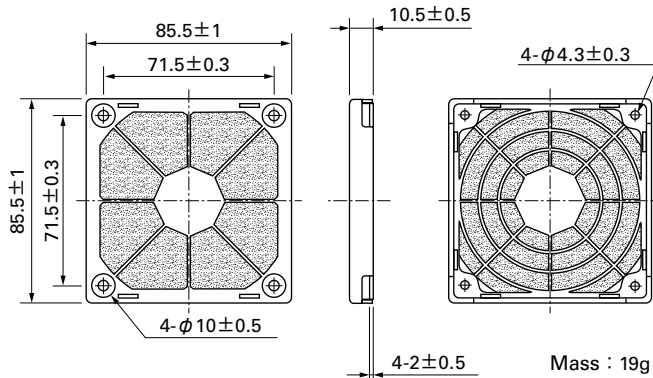


Model : 109-049E Surface treatment : Nickel-chrome plating (silver) Color : Nickel-chrome plating (silver)
: 109-049H : Cation electropainting (black)



Resin Filter Kits

Model : 109-1002F13 (13PPI), 109-1002F20 (20PPI)
: 109-1002F30 (30PPI), 109-1002F40 (40PPI)



80mm sq.

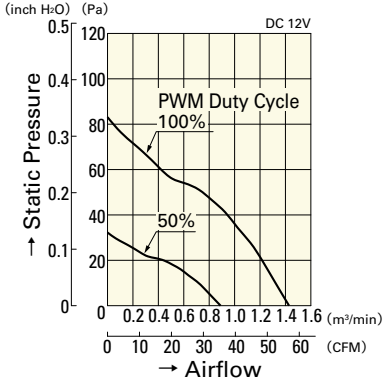
San Ace 80

80×80×15mm [Mass : 65g]

Airflow - Static Pressure Characteristics

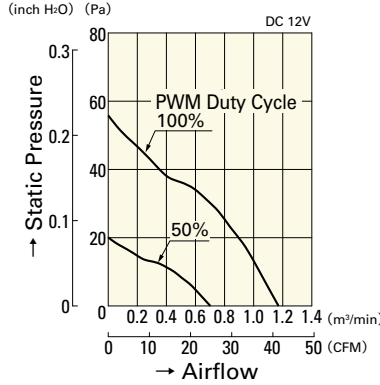
PWM Duty Cycle

With PWM control function · With pulse sensor



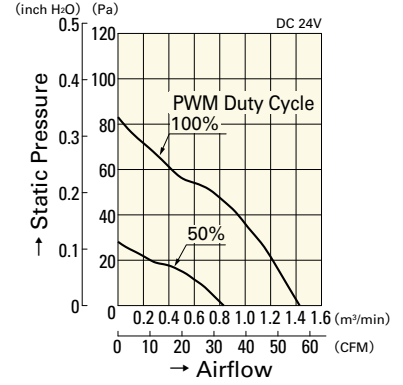
9GA0812P7G001

With PWM control function · With pulse sensor



9GA0812P7S001

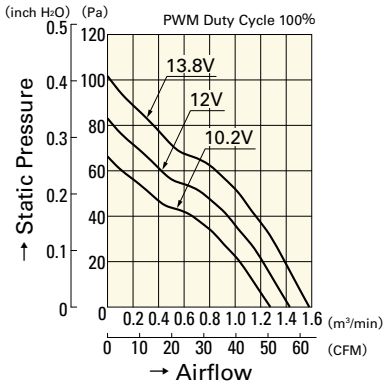
With PWM control function · With pulse sensor



9GA0824P7G001

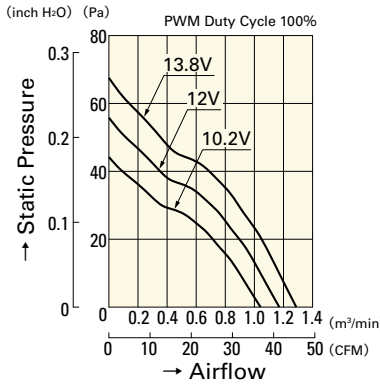
Operating Voltage Range

With PWM control function · With pulse sensor



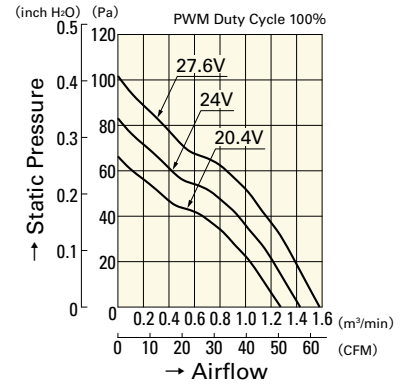
9GA0812P7G001

With PWM control function · With pulse sensor



9GA0812P7S001

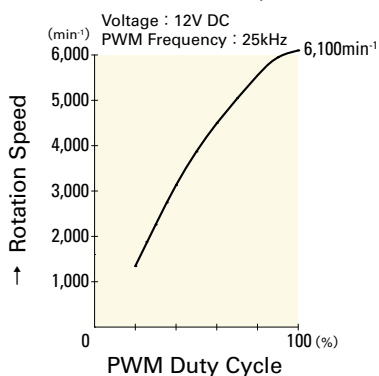
With PWM control function · With pulse sensor



9GA0824P7G001

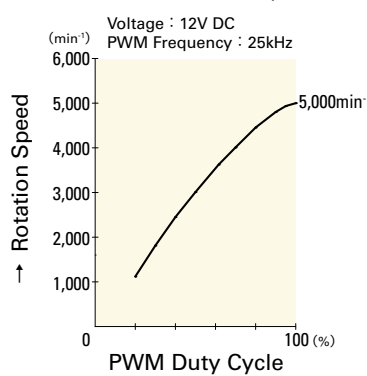
PWM Duty - Speed Characteristics Example

With PWM control function · With pulse sensor



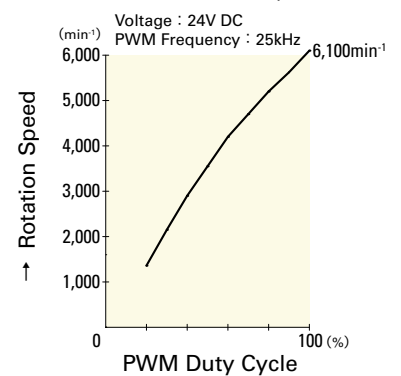
9GA0812P7G001

With PWM control function · With pulse sensor



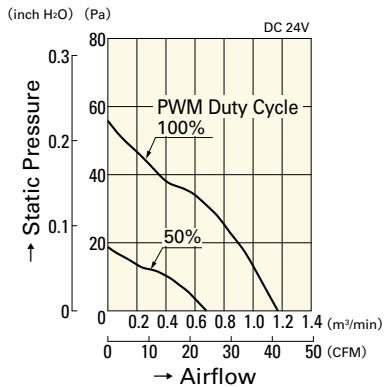
9GA0812P7S001

With PWM control function · With pulse sensor



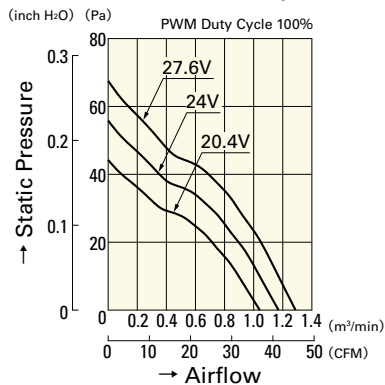
9GA0824P7G001

With PWM control function · With pulse sensor



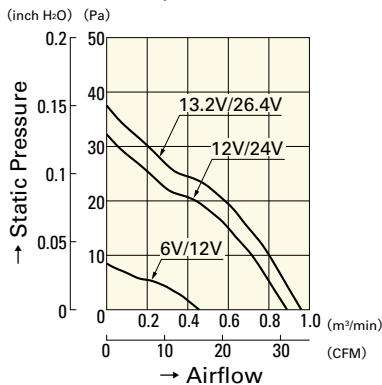
9GA0824P7S001

With PWM control function · With pulse sensor



9GA0824P7S001

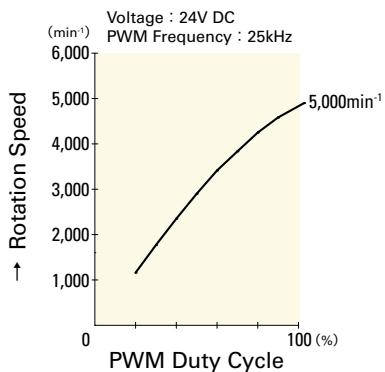
With pulse sensor



9GA0812H7001

9GA0824H7001

With PWM control function · With pulse sensor



9GA0824P7S001