

参考基板レイアウト
RECOMMENDED P.C. BOARD
PATTERN DIMENSION.(REF.)

注記 NOTES:

1. 材質 MATERIAL
ハウジング: LCP, (UL94V-0) HOUSING : LCP ,UL94V-0
ターミナル: リン青銅 (t=0.2) TERMINAL : PHOSPHOR BRONZE
補強金具 : 黄銅 (t=0.2) FITTING NAIL : BRASS
2. メッキ仕様 PLATING
ターミナル: ニッケル下地金メッキ
TERMINAL: Au OVER Ni PLATING
補強金具 : 錫メッキ 下地: ニッケルメッキ
FITTING NAIL: TIN OVER NICKEL PLATING
3. △ テールとネイルの相互のばらつきは0.1MAX.
MISALIGNMENT OF SOLDER TAIL AND FITTING NAIL
OFFSET BETWEEN UPPER AND LOWER : 0.1MAX.
4. △ (極数/2) = 偶数の場合に適用。
APPLY FOR (CIRCUIT/2)=EVEN.
5. 嵌合相手: 55289シリーズ。
MATES WITH 55289 SERIES.
6. 一對の基板の嵌合に於いて、本製品を2個以上使用することは推奨致し兼ねます。
MXJ DOES NOT RECOMMEND THE USAGE OF TWO OR MORE OF
THESE CONNECTORS BETWEEN A SINGLE PAIR OF P.C.BOARD.
7. 本製品は 54434-***0 の鉛フリー品である。
THIS PRODUCT IS LEAD FREE OF 54434-***0

DO NOT SCALE DRAWING

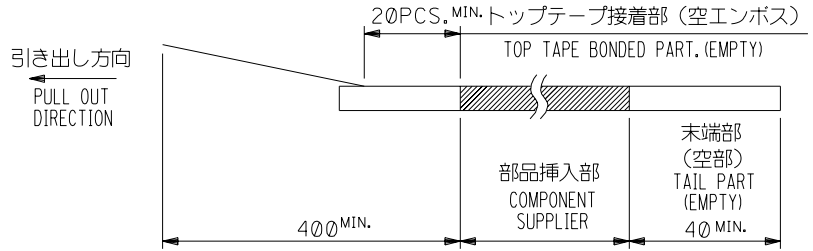
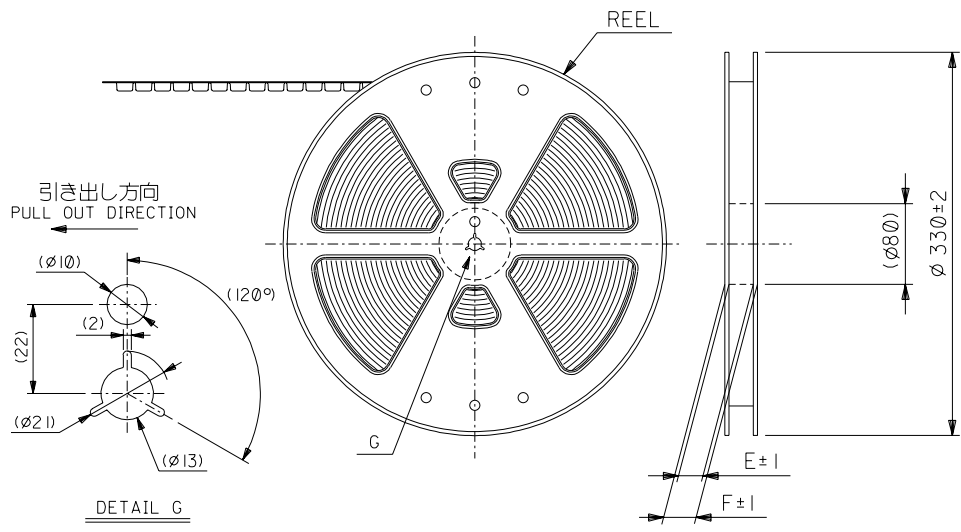
164 NO. DRWN: CH'K: APPR: 163 NO. DRWN: CH'K: APPR: 162 NO. DRWN: CH'K: APPR: 161 NO. DRWN: CH'K: APPR:		RELEASED 160 NO. J2004-3183 DRWN: H. SHIMABUKURO 04/3/18 CH'K: K. TOJO 04/3/18 APPR: M. SASAO 04/3/18	MATERIAL 材料 注記参照 SEE NOTES FINISH 仕上げ 注記参照 SEE NOTES WIRE RANGE 適用電線範囲 〃 INS. RANGE 被覆外径 〃	GENERAL TOLERANCES: (UNLESS SPECIFIED) 一般公差 10 UNDER 未満 ±0.2 10 OVER 以上 30 UNDER 未満 ±0.25 30 OVER 以上 ±0.3 ANGLE 角度 ±3°	MODEL NO. 54434-***1 DIMENSIONS: <input type="checkbox"/> mm <input type="checkbox"/> INCH <input checked="" type="checkbox"/> mm ONLY SHT REV 2 OF 2	SCALE 1:1 DESIGN UNITS <input checked="" type="checkbox"/> mm <input type="checkbox"/> INCH 2B99D ANGLE PROJECTION DRAWN BY & DATE: 04/3/18 H. SHIMABUKURO CHECKED BY & DATE: 04/3/18 K. TOJO APPROVED BY & DATE: 04/3/18 M. SASAO CAD FILENAME: 54434009.S02 TITLE: 0.5 BOARD TO BOARD CONN. HOUSING ASS'Y -LEAD FREE- WITH NAIL WITH LOCK MOLEX INCORPORATED MATERIAL NO. SEE CHART DRAWING NO. SD-54434-009 SHEET NO. 2 OF 2 2B99S DRAWING CONTAINS INFORMATION THAT IS PROPRIETARY TO MOLEX INCORPORATED AND SHOULD NOT BE USED WITHOUT WRITTEN PERMISSION.	EN-02J(097) MXJ-54
--	--	---	---	--	--	--	--------------------

SD-54434-009:502

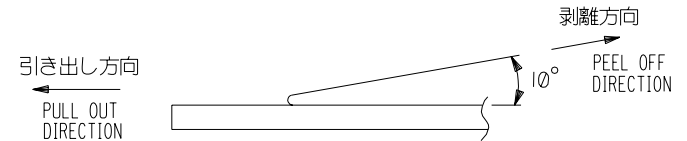
DWG. NO. SD-54434-010

注記 NOTES

- 製品詳細寸法については図面 SD-54434-009 を参照下さい。
RE DETAILED DIMENSION, SEE SD-54434-009
- 梱包数量：1000個/リール
NUMBER OF CONNECTORS : 1000PCS/REEL
- リードテープ長さ LEAD TAPE LENGTH



- トップテープの剥離強度：0.1N ~ 1.3N(10gf ~ 130gf)
(剥離方向は下図参照)
尚、本規格値は出荷時に適用。(但し、輸送時に剥離が発生しないこと。)
PEELING OFF FORCE OF TOP TAPE : 0.1N ~ 1.3N(10gf ~ 130gf)
(PEELING DIRECTION AS SHOWN IN FOLLOWING FIG.)
THIS REQUIREMENT SHOULD BE APPLIED AT SHIPMENT.
PEEL OFF SHOULD NOT BE ALLOWED , DURING TRANSPORTATION.



- 材料(MATERIAL)
キャリアテープ(CARRIER TAPE)：ポリプロピレン(POLYPROPYLENE)
トップテープ(TOPTAPE)：PET, PE, PEF
リール(REEL)：紙製(CARD BOARD)
- 本製品は 54434-***9 の鉛フリー品である。
THIS PRODUCT IS LEAD FREE OF 54434-***9

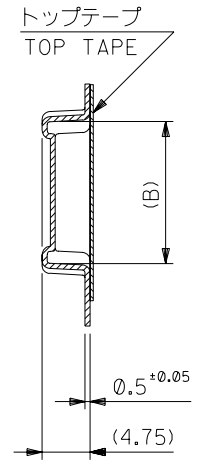
DO NOT SCALE DRAWING

164 NO. DRWN: CH'K: APPR: 163 NO. DRWN: CH'K: APPR: 162 NO. DRWN: CH'K: APPR: 161 NO. DRWN: CH'K: APPR:		RELEASED 160 NO. J2004-3183 DRWN: H.SHIMABUKURO 04/3/08 CH'K: K.TOJO 04/3/08 APPR: M.SASAO 04/3/08	MATERIAL 材料 注記参照 SEE NOTES FINISH 仕上げ 注記参照 SEE NOTES WIRE RANGE 適用電線範囲 適用電線範囲 INS. RANGE 被覆外径 被覆外径	GENERAL TOLERANCES: (UNLESS SPECIFIED) 一般公差 10 UNDER 未満 30 UNDER 未満 30 OVER 以上 ANGLE 角度	SCALE 1/1 DESIGN UNITS 一般公差 DRAWN BY & DATE H.SHIMABUKURO 04/3/08 CHECKED BY & DATE K.TOJO 04/3/08 APPROVED BY & DATE M.SASAO 04/3/08 CAD FILENAME 54434010.S01	MODEL NO. 54434-***8 DIMENSIONS: 20° 20° 20° SHT 1 OF 4 REV TITLE: 54434-***1 テーピング梱包 EMBOSSED TAPE PACKAGE FOR 54434-***1 -LEAD FREE- MOLEX INCORPORATED MATERIAL NO. SEE CHART DRAWING NO. SD-54434-010 SHEET NO. 1 OF 4 SIZE B
--	--	--	---	---	--	--

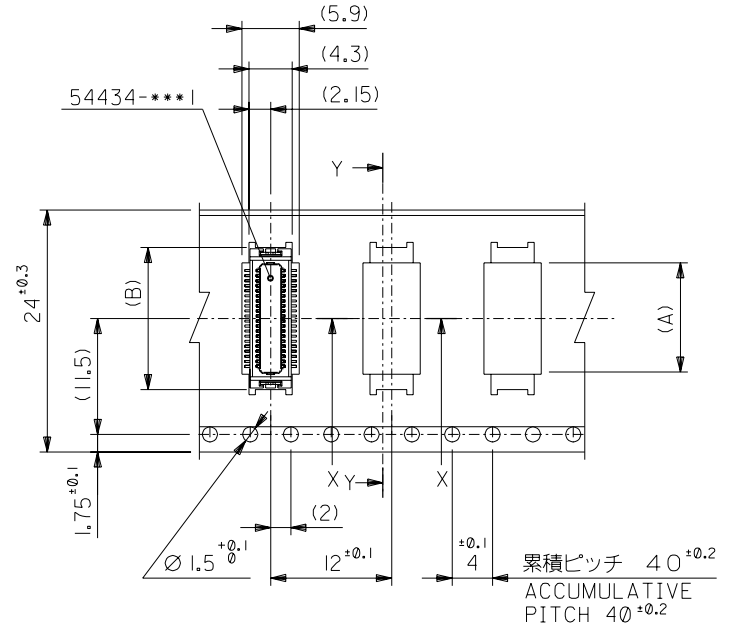
SD-54434-010.S01

DWG. NO.
SD-54434-010

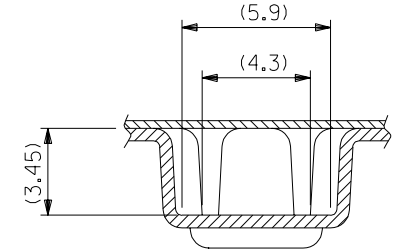
引き出し方向
PULL OUT DIRECTION



SECT : Y-Y



24mm幅キャリアテープ
24mm WIDTH CARRIER TAPE



SECT : X-X

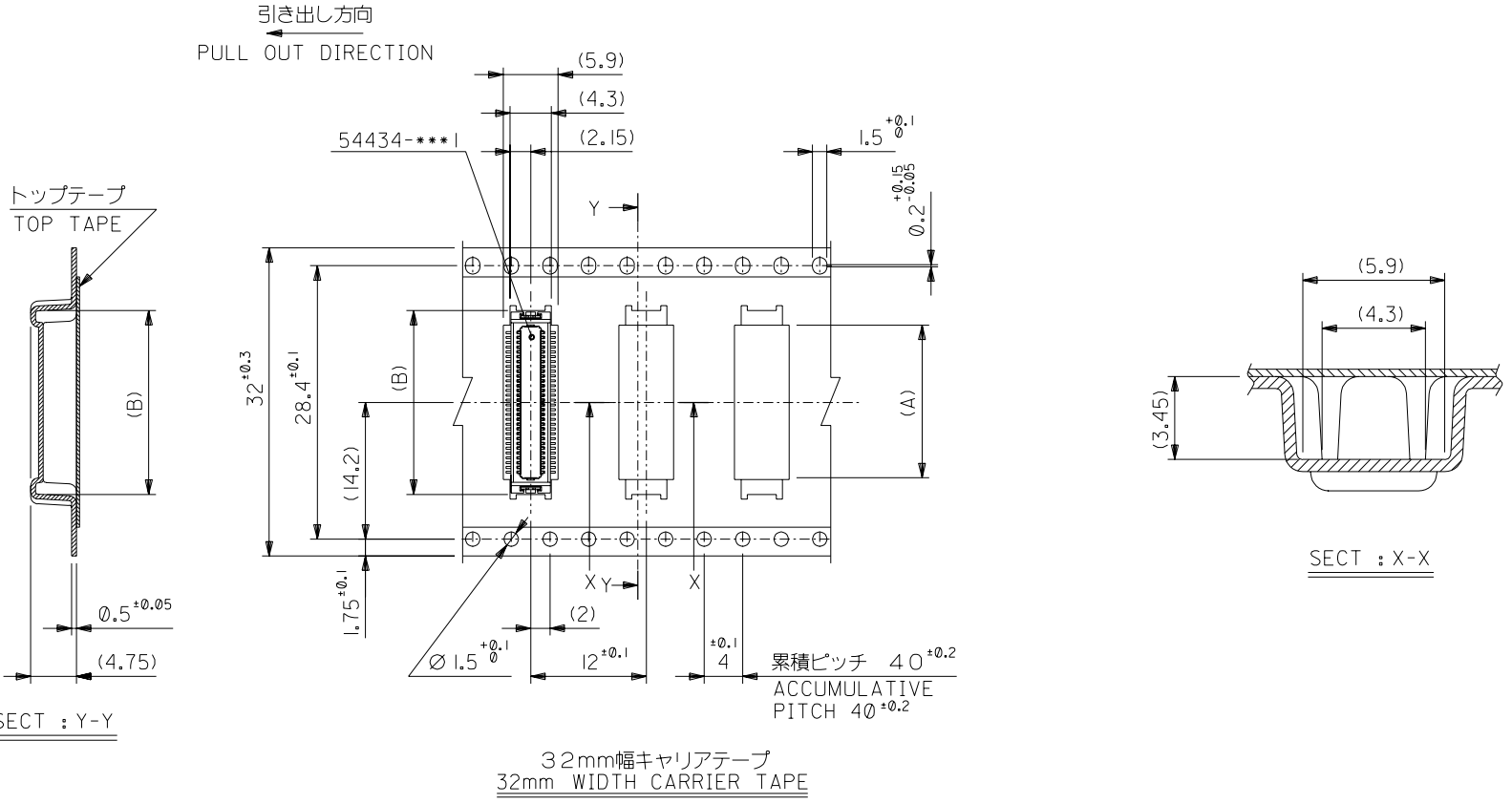
24	29.4	25.4	14.1	11.04	54434-0408	40
キャリアテープ幅	F	E	(B)	(A)	MATERIAL NO.	極数 CKTS.

64 NO. DRAWN: CH'K: APPR: 63 NO. DRAWN: CH'K: APPR: 62 NO. DRAWN: CH'K: APPR: 61 NO. DRAWN: CH'K: APPR:	RELEASED 60 NO. J2004-3183 DRAWN: H.SHIMABUKURO '04/3/18 CH'K: K.TOJO '04/3/18 APPR: M.SASAO '04/3/18	MATERIAL 材料 注記参照 SEE NOTES FINISH 仕上げ 注記参照 SEE NOTES WIRE RANGE 適用電線範囲 INS. RANGE 被覆外径	GENERAL TOLERANCES: (UNLESS SPECIFIED) 一般公差 10 UNDER 未満 ±0.2 10 OVER 30 UNDER 未満 ±0.25 30 OVER 以上 ±0.3 ANGLE 角度 ±3°	MODEL NO. 54434-***8	DIMENSIONS: <input type="checkbox"/> mm <input type="checkbox"/> INCH <input checked="" type="checkbox"/> mm ONLY	SHT 2 OF 4	REV 極数 ON CAD ONLY
				DRAWN BY & DATE H.SHIMABUKURO '04/3/18 CHECKED BY & DATE K.TOJO '04/3/18 APPROVED BY & DATE M.SASAO '04/3/18 CAD FILENAME 54434010.S02	TITLE: 54434-***1 テーピング梱包 EMBOSSD TAPE PACKAGE FOR 54434-***1 -LEAD FREE- MOLEX INCORPORATED	MATERIAL NO. SEE CHART	DRAWING NO. SD-54434-010

DO NOT SCALE DRAWING

SD-54434-010.S02

DWG. NO.
SD-54434-010



32mm幅キャリアテープ
32mm WIDTH CARRIER TAPE

32	37.4	33.4	19.1	16.04	54434-0608	60
キャリアテープ幅	F	E	(B)	(A)	MATERIAL NO.	極数 CKTS.

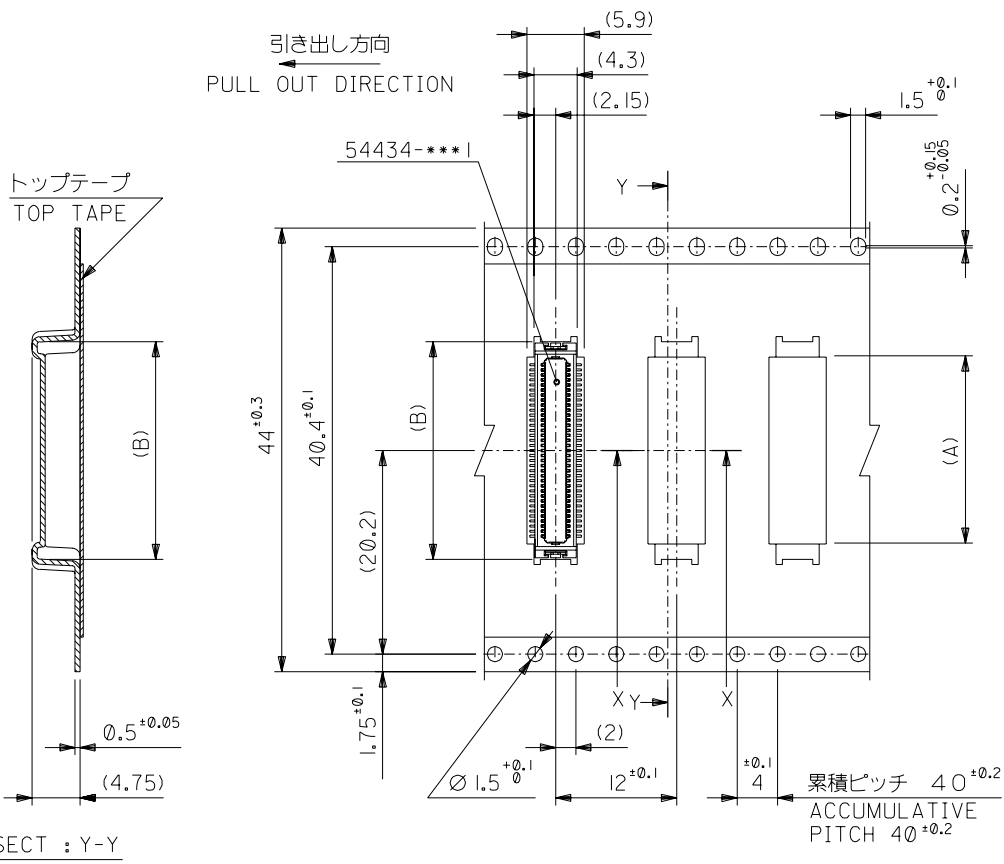
DO NOT SCALE DRAWING

64 NO. DRWN: CHK: APPR:	63 NO. DRWN: CHK: APPR:	62 NO. DRWN: CHK: APPR:	61 NO. DRWN: CHK: APPR:	RELEASED 60 NO. J2004-3183 DRWN: H. SHIMABUKURO '04/3/18 CHK: K. TOJO '04/3/18 APPR: M. SASAO '04/3/18	MATERIAL 材料 注記参照 SEE NOTES	GENERAL TOLERANCES: (UNLESS SPECIFIED) 一般公差 10 UNDER 未満 ±0.2 10 OVER 30 UNDER 以上 未満 ±0.25 30 OVER 以上 ±0.3 ANGLE 角度 ±3°	MODEL NO. 54434-***8	DIMENSIONS: <input type="checkbox"/> mm <input type="checkbox"/> INCH <input checked="" type="checkbox"/> mm ONLY	SHT REV		
							FINISH 仕上げ 注記参照 SEE NOTES	DRAWN BY & DATE H. SHIMABUKURO '04/3/18 CHECKED BY & DATE K. TOJO '04/3/18 APPROVED BY & DATE M. SASAO '04/3/18 CAD FILENAME 54434010.S03	TITLE: 54434-***1 テーピング梱包 EMBOSSED TAPE PACKAGE FOR 54434-***1 -LEAD FREE- MOLEX INCORPORATED	MATERIAL NO. DRAWING NO. SD-54434-010	SHEET NO. 3 OF 4
WIRE RANGE 適用電線範囲 //						2888 DRAWING CONTAINS INFORMATION THAT IS PROPRIETARY TO MOLEX INCORPORATED AND SHOULD NOT BE USED WITHOUT WRITTEN PERMISSION.				SIZE B	
INS. RANGE 被覆外径 //						EN-02J(097) MXJ-54					

SD-54434-010.S03

DO NOT SCALE DRAWING

DWG. NO.
SD-54434-010



44mm幅キャリアテープ
44mm WIDTH CARRIER TAPE

累積ピッチ 40^{+0.2}
ACCUMULATIVE PITCH 40^{+0.2}

44	49.4	45.4	21.6	18.54	54434-0708	70
キャリアテープ幅	F	E	(B)	(A)	MATERIAL NO.	極数 CKTS.

64 NO. DRWN: CHK: APPR:	63 NO. DRWN: CHK: APPR:	62 NO. DRWN: CHK: APPR:	61 NO. DRWN: CHK: APPR:	RELEASED 60 NO. J2004-3183 DRWN: H.SHIMABUKURO 04/3/18 CHK: K.TOJO 04/3/18 APPR: M.SASAO 04/3/18	MATERIAL 材料 注記参照 SEE NOTES	GENERAL TOLERANCES: (UNLESS SPECIFIED) 一般公差		MODEL NO. 54434-***8		DIMENSIONS: <input type="checkbox"/> mm <input type="checkbox"/> INCH <input checked="" type="checkbox"/> mm ONLY		SHT 70	REV 1	
						FINISH 仕上げ 注記参照 SEE NOTES	WIRE RANGE 適用電線範囲 //	INS. RANGE 被覆外径 //	SCALE //	DESIGN UNITS <input checked="" type="checkbox"/> mm <input type="checkbox"/> INCH	SHROUD ANGLE PROJECTION	DRAWN BY & DATE: 04/3/18 H.SHIMABUKURO		TITLE: 54434-***1 テーピング梱包 EMBOSSED TAPE PACKAGE FOR 54434-***1 -LEAD FREE-

THIS DRAWING CONTAINS INFORMATION THAT IS PROPRIETARY TO MOLEX INCORPORATED AND SHOULD NOT BE USED WITHOUT WRITTEN PERMISSION.

SD-54434-010.S04