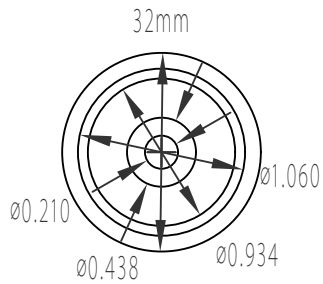
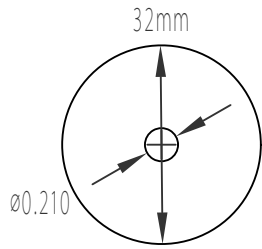
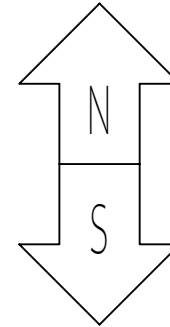
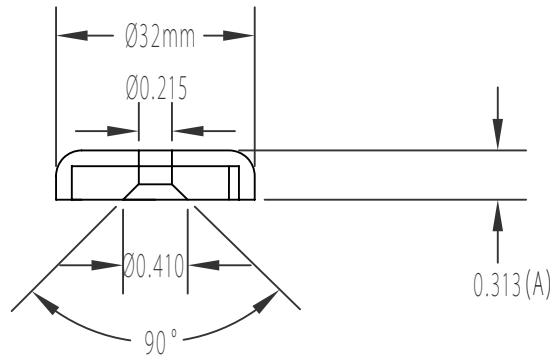


REVISIONS			
LTR	DESCRIPTION	DATE	APPROVED
-	INITIAL RELEASE		H D

TOP VIEW



BOTTOM VIEW



UNLESS OTHERWISE SPECIFIED DIMENSIONS ARE IN INCHES		<b>RADIAL MAGNET INC.</b>			
		108B NW 20th St. BOCA RATON, FL 33431 (561)392-2103			
TOLERANCES: FRACTIONS: ±1/64 DECIMALS: ±.015 ANGLES: ±1°		SHAPE POT	STRENGTH N35	PLATING NICKEL PLATED	SIZE AND DIRECTION OF MAGNETIZATION(A) POT A32
MATERIAL: NdFeB FINISH: NiCuNi		SIZE A	ITEM # 8220	DRAWING # RM8220	REVISION -
		SCALE 1:1	DRAWN: CG	CHECKED: HD	APPROVED: HD
		PAGE 1 OF 1			

