

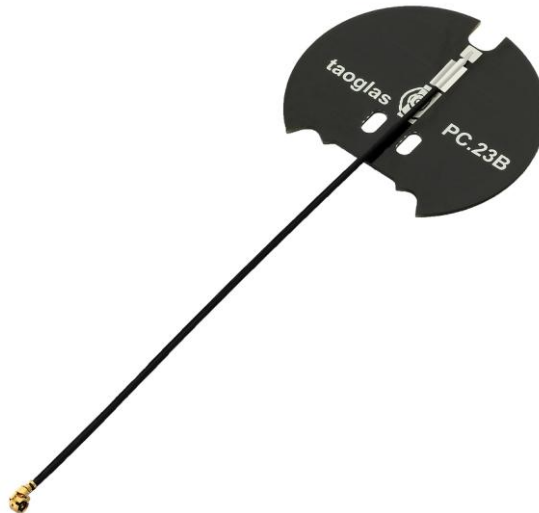
## SPECIFICATION

Part No. : **PC23.07.0100A**

Product Name : **Internal Circular PCB Antenna**  
AMPS/GSM/PCS/DCS Cellular PCB Antenna  
100mm 1.13 IPEX MHFI (U.FL comp)

Features : Diameter 42mm\*Height 1.6mm

Photo:



## 1. Introduction

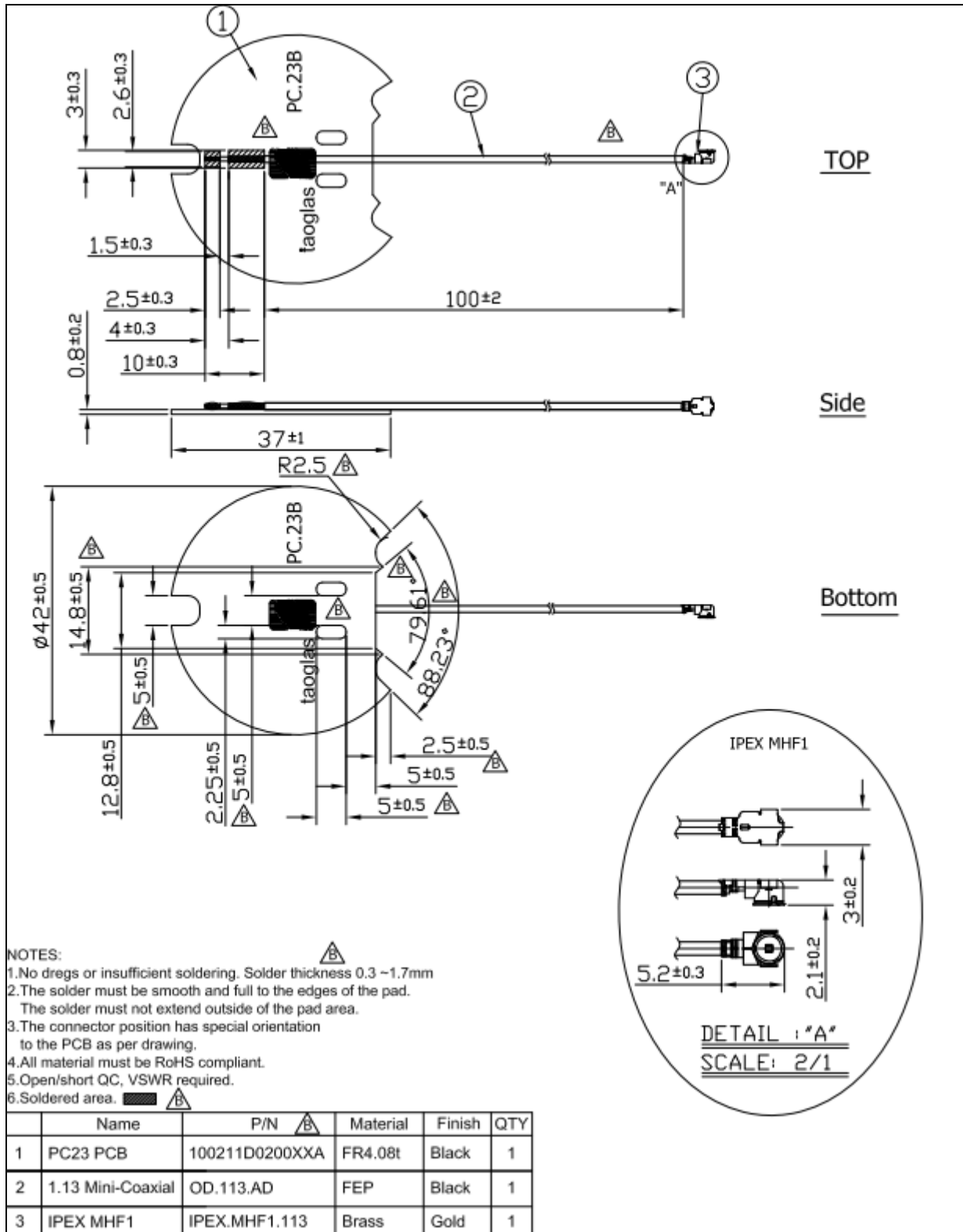
The PC23 Internal PCB Antenna is a circular Quad-band GSM antenna for incorporation antennas and transceiver modules worldwide. Omni-directional high gain across all bands ensures constant reception and transmission.. Cables and connectors are fully customizable.

## 2. Typical Antenna Performance in free space

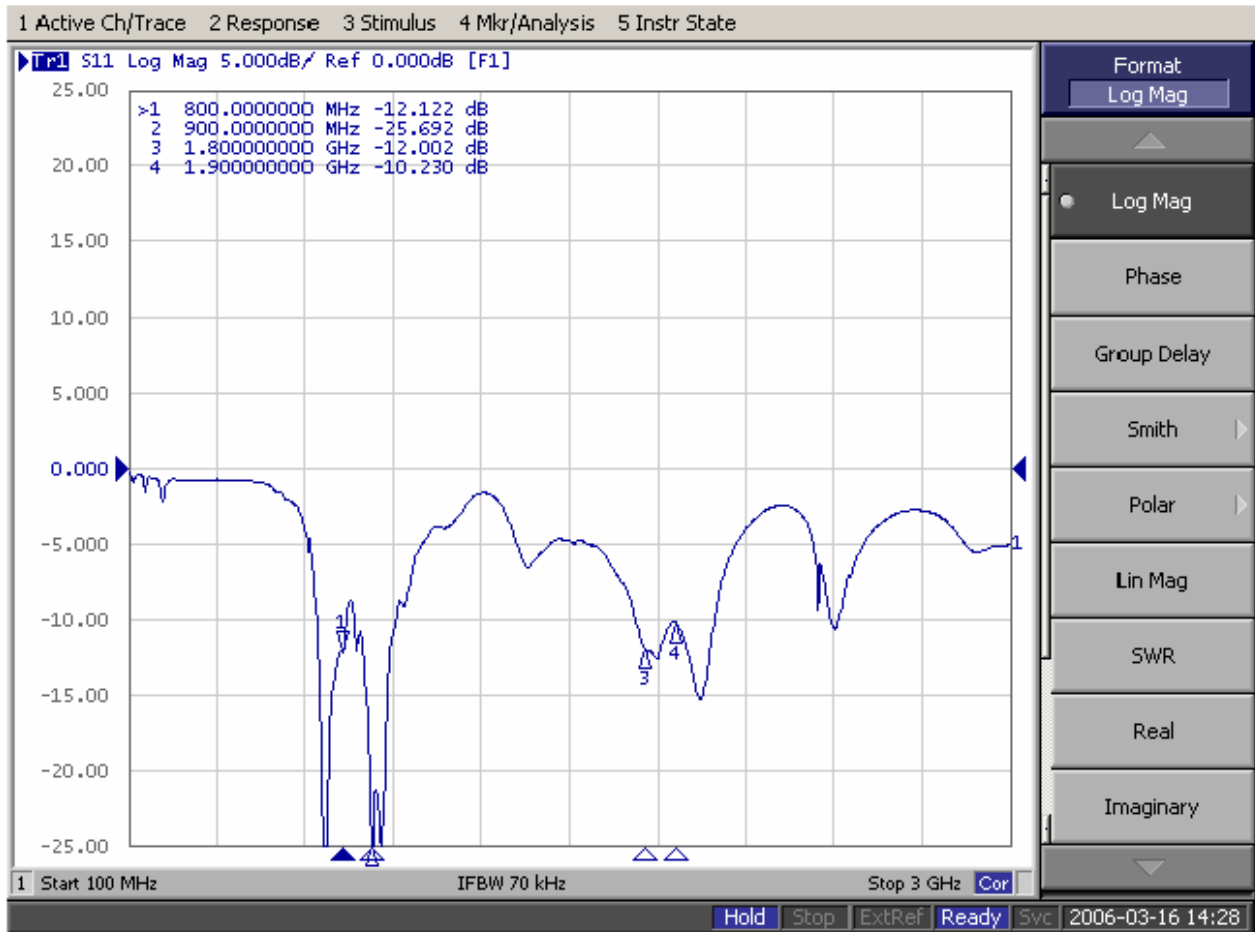
| <b>Specifications</b>  |  |            |            |            |
|------------------------|--|------------|------------|------------|
| <b>ELECTRICAL</b>      |  |            |            |            |
|                        | <b>AMPS</b>  | <b>GSM</b> | <b>PCS</b> | <b>DCS</b> |
| Band                   | 824-896  | 880-960    | 1850-1990  | 1710-1880  |
| Return Loss            | -12 dB   | -25 dB     | -12 dB     | -10 dB     |
| Gain                   | Average 0 dBi                                      |            |            |            |
| Polarization           | Linear   |            |            |            |
| Impedance              | 50 ohms  |            |            |            |
| Input Power            | 10 watts   |            |            |            |
| Input Connection       | Coaxial Cable - RG174 Standard, Fully customizable |            |            |            |
| VSWR (Min performance) | <2.0:1   |            |            |            |

**\*note: specifications may be subject to change**

### 3. Outline Drawing

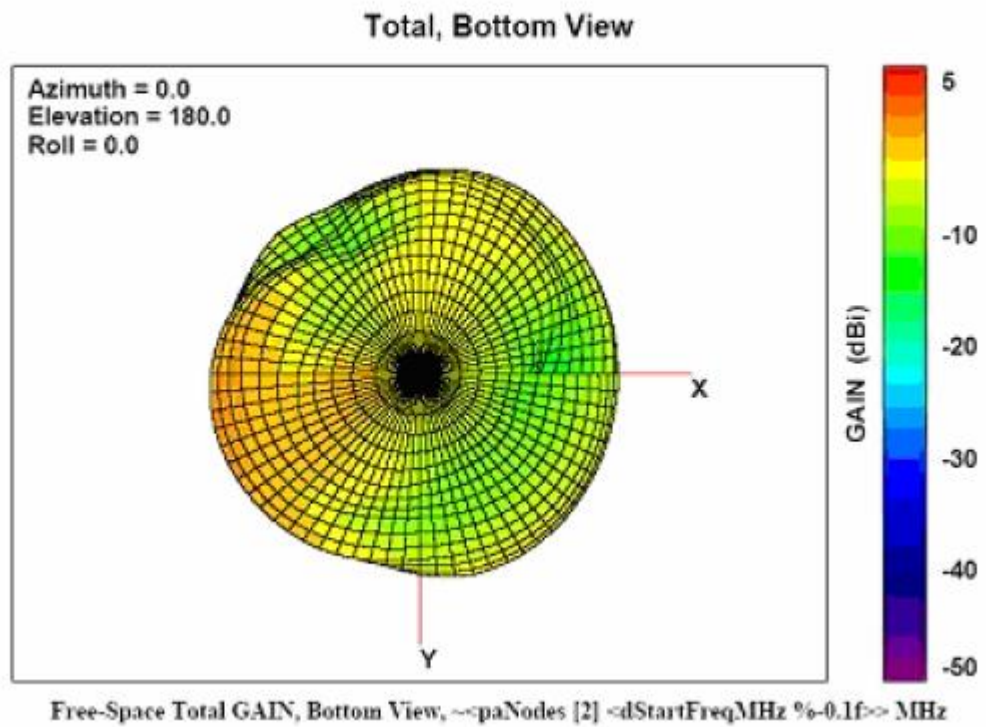


## 4. S11 Magnitude

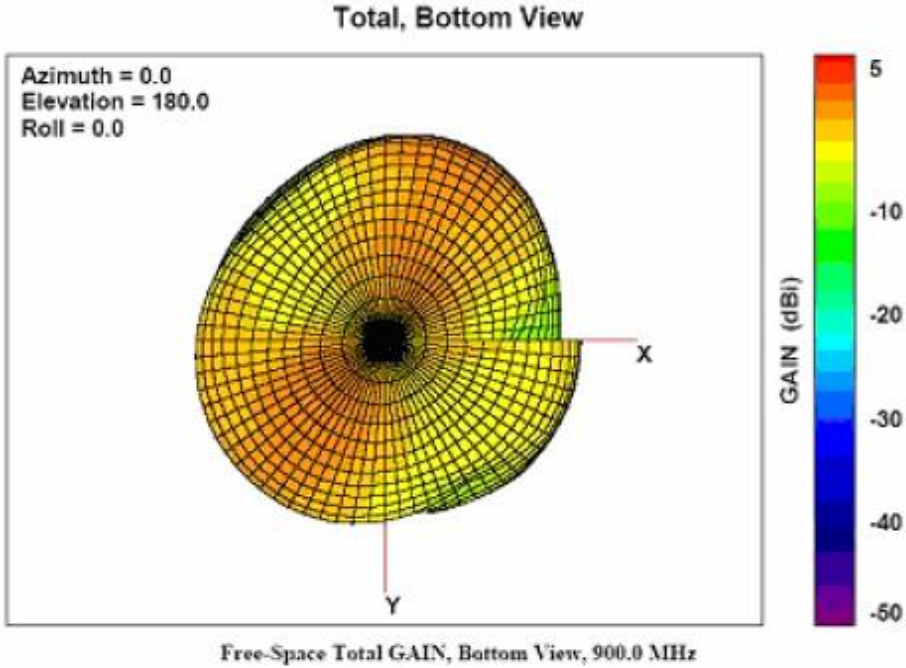


## 5. Radiation Patterns

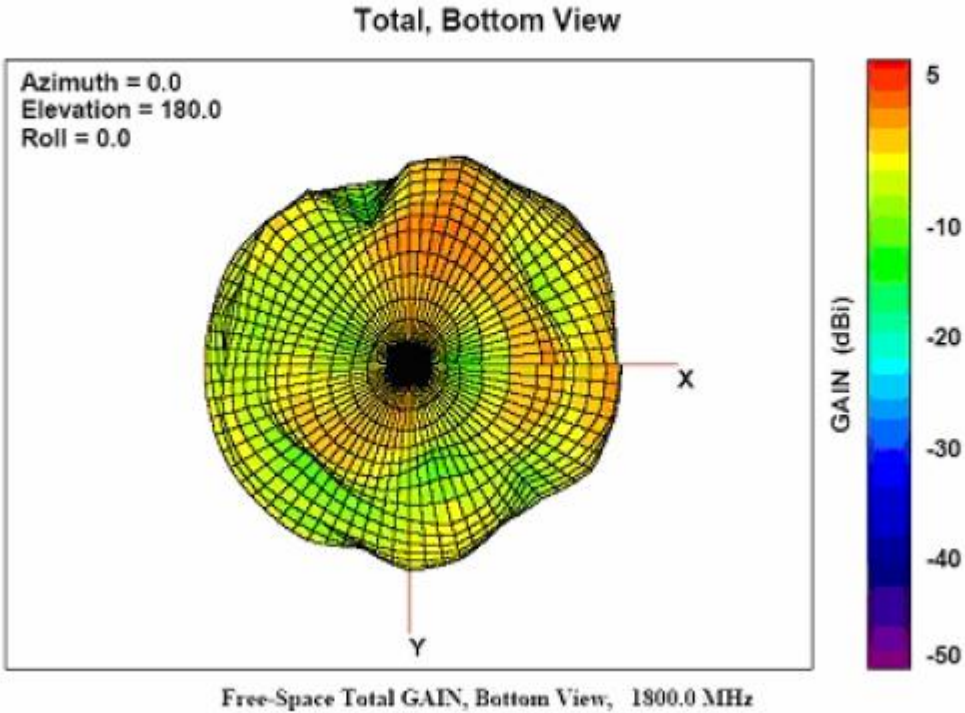
### 800 MHz – 3D Radiation Pattern



**900 MHz – 3D Radiation Pattern**



**1800 MHz – 3D Radiation Pattern**



**1900 MHz – 3D Radiation Pattern**

