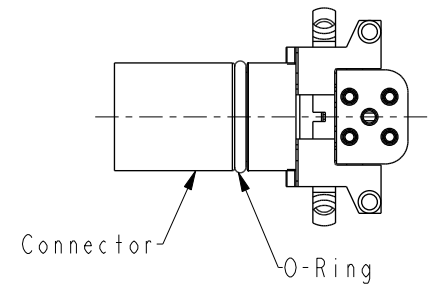
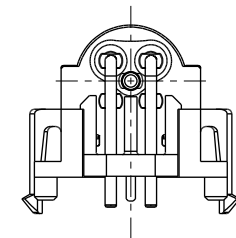
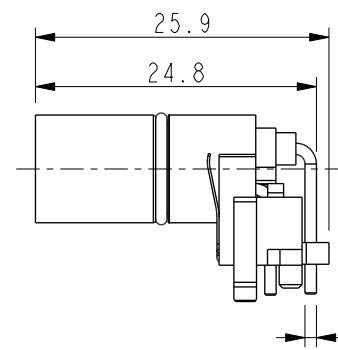
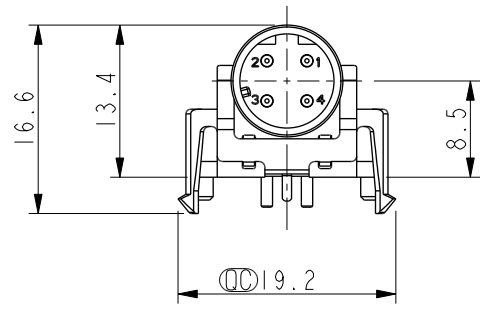
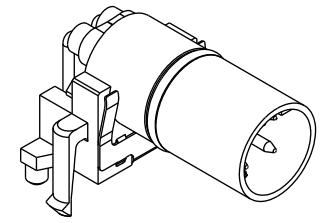
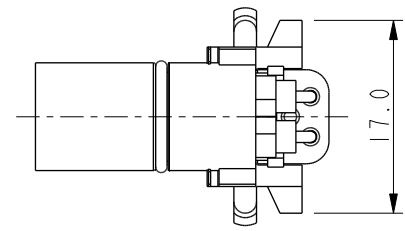


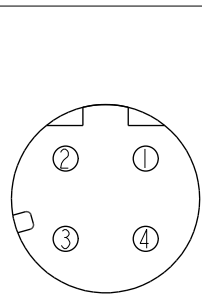
THIS DOCUMENT IS SUBJECT TO CHANGE WITHOUT NOTICE. IT IS CONFIDENTIAL AND A PROPERTY OF AMPHENOL LTW. DISCLOSURE TO THIRD PARTY HAS TO BE AUTHORIZED BY AMPHENOL LTW.

REV.	ECN NO.	DATE	SIGN	DESCRIPTION
A		2022-01-20	Jiahe Lin	Rev.01 To Rev.A

MSDS-XXPMMR-EE0001  
 XX: No. Of Pin

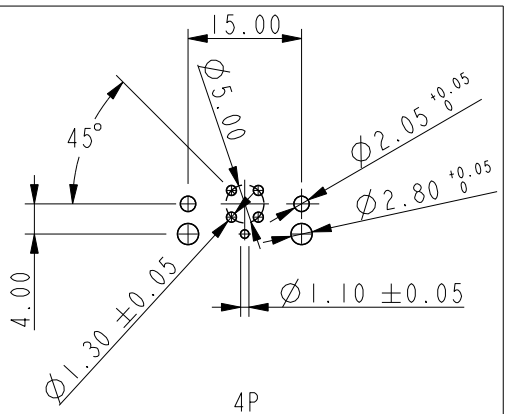


Note:  
 \* RoHS Compliant  
 \*  $\varnothing$  Important dimension  
 \* Waterproof rate: Non-Waterproof  
 \* Connector  
 Housing: Thermoplastic, Black  
 Pin: Copper alloy, Gold plated  
 O-Ring: Rubber, Black  
 \* For pcb thickness max: 1.6mm



4P

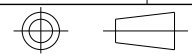
Pin Assignment Front View



4P

PCB Layout

UNIT:mm



TITLE  
 N SEN, M12 D -SHLD,  
 RECEPTACLE, M, M, PCB R

**Amphenol LTW**

ITEM NO	DRAWN BY	DATE
	Jiahe Lin	2022-01-20
DWG NO	CHECKED BY	DATE
MSDS-XXPMMR-EE0001	Allen Pan	2022-01-20
CUSTOMER	APPROVED BY	DATE
ALTW	Fred Lee	2022-01-20

安費諾亮泰企業股份有限公司

TOLERANCE	
.X	±0.25
.XX	±0.1
.XXX	±0.05
ANGLES	±1°

SCALE	3:2	SIZE	A4	SHEET	1	OF	1
REV.	A	WC-REV.	A.1	$\varnothing$ : Inspection item			