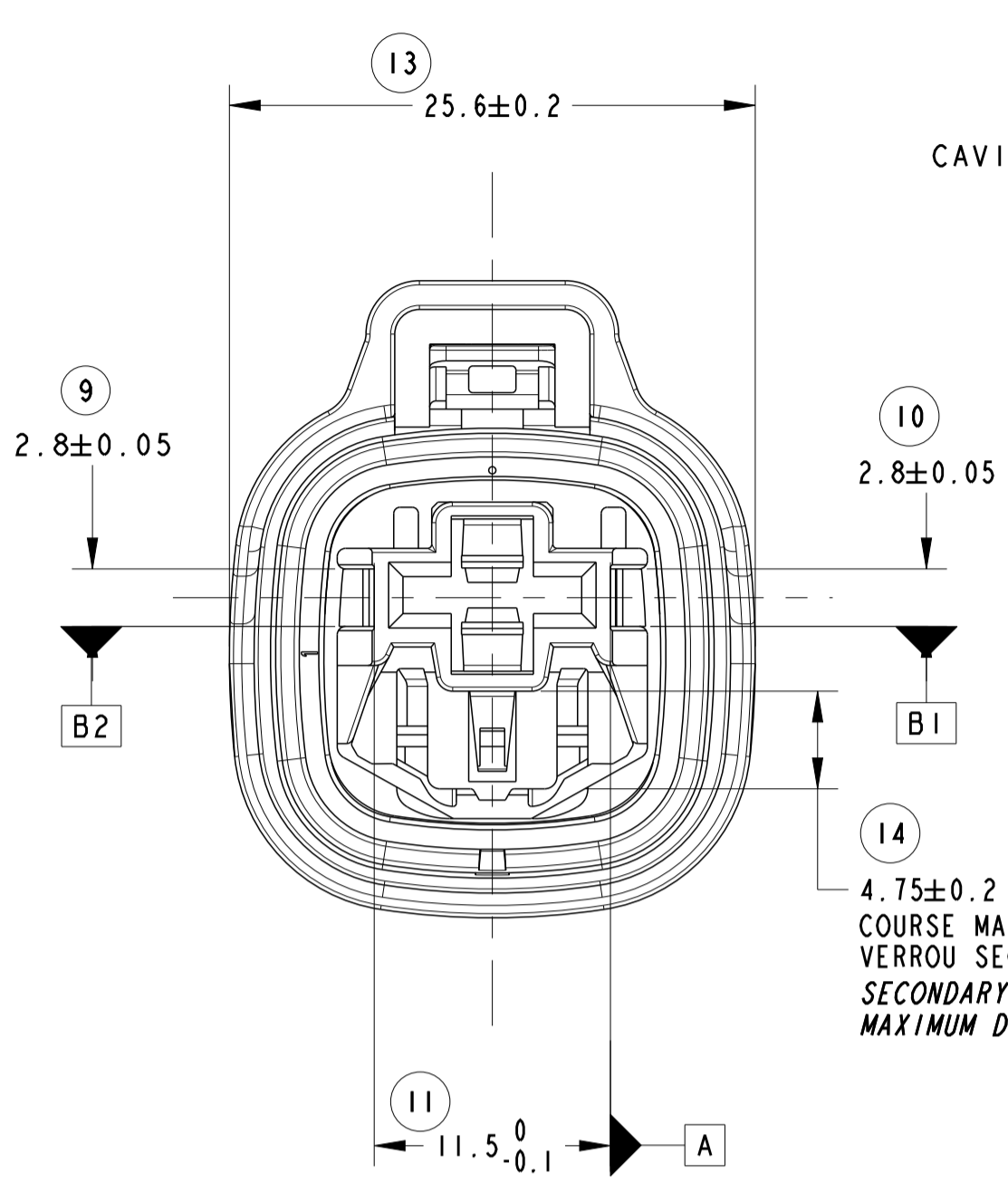
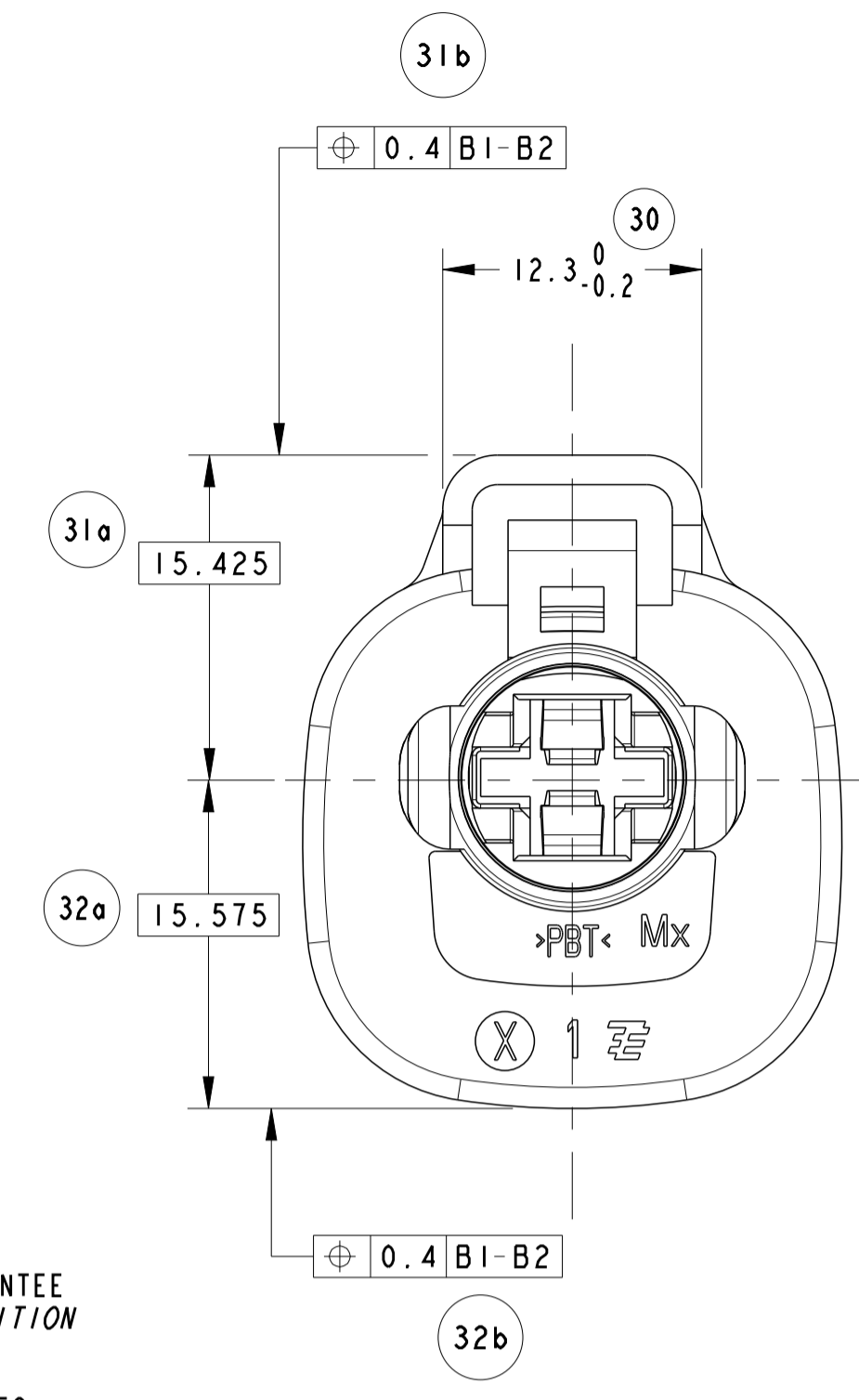
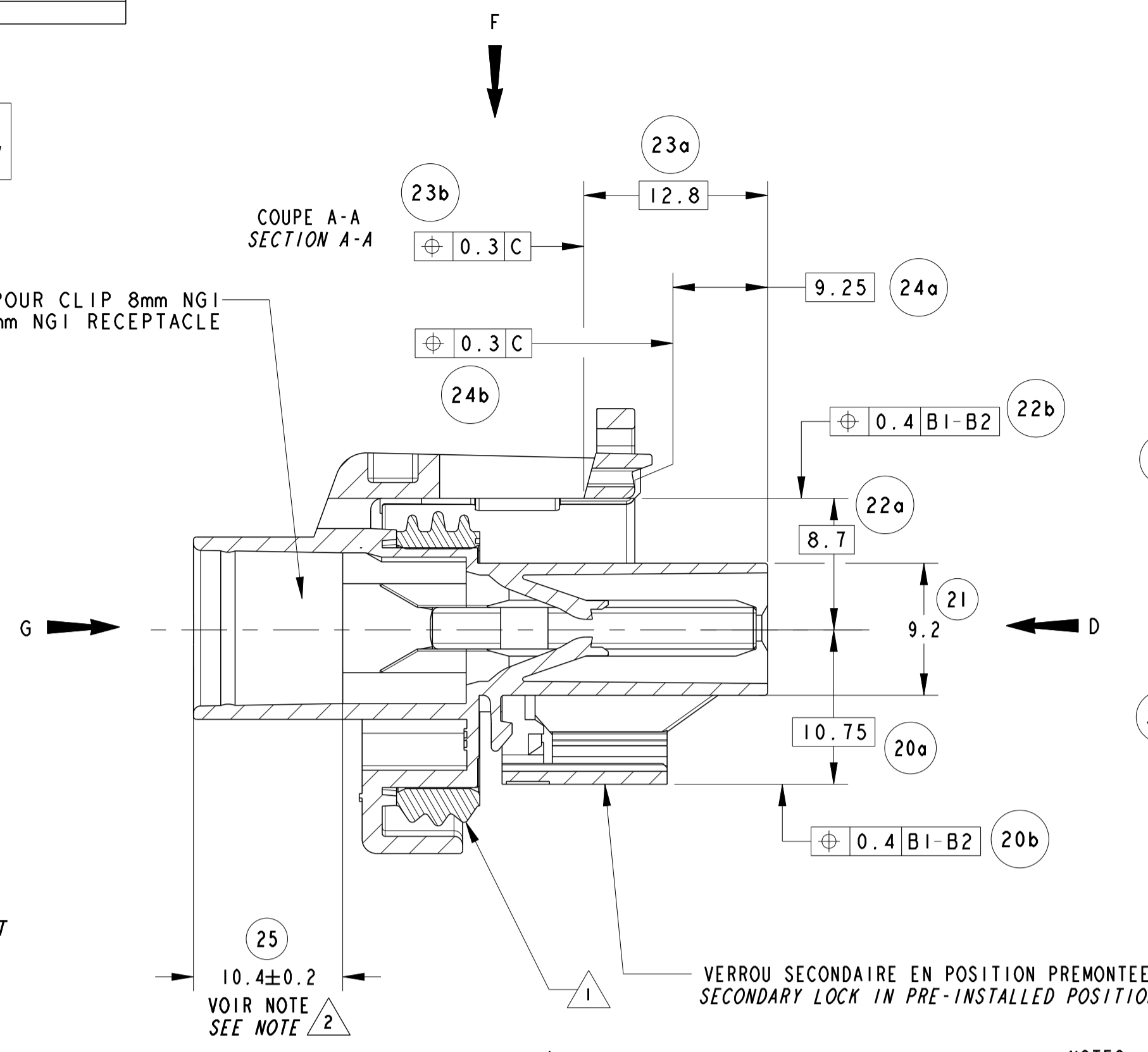


LOC	DIST	REVISIONS				
P	LYR	REV	DESCRIPTION	DATE	DWN	APPV
		0	FIRST ISSUE	22SEP2003	T.Gr	J.Dr
		A	DRAWING UPDATE	23MAR2007	FS1	JDr
		B	HINGE IMPROVEMENT + NEW MOLD	16APR2010	FS1	JDr
		C	DRAFTING ERROR ON KEYING	03JAN2011	FS1	JDr

PORTE-CLIP EN POSITION DE LIVRAISON  
RECEPTACLE HOUSING IN DELIVERING POSITION



ALVEOLE POUR CLIP 8mm NG1  
CAVITY FOR 8mm NG1 RECEPTACLE



ECHELLE 2:1

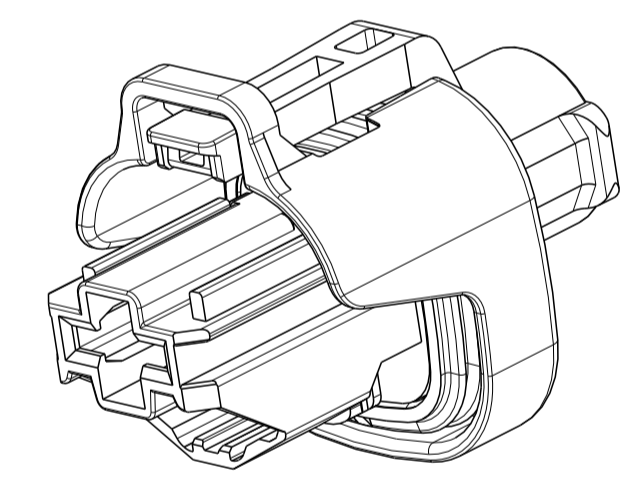
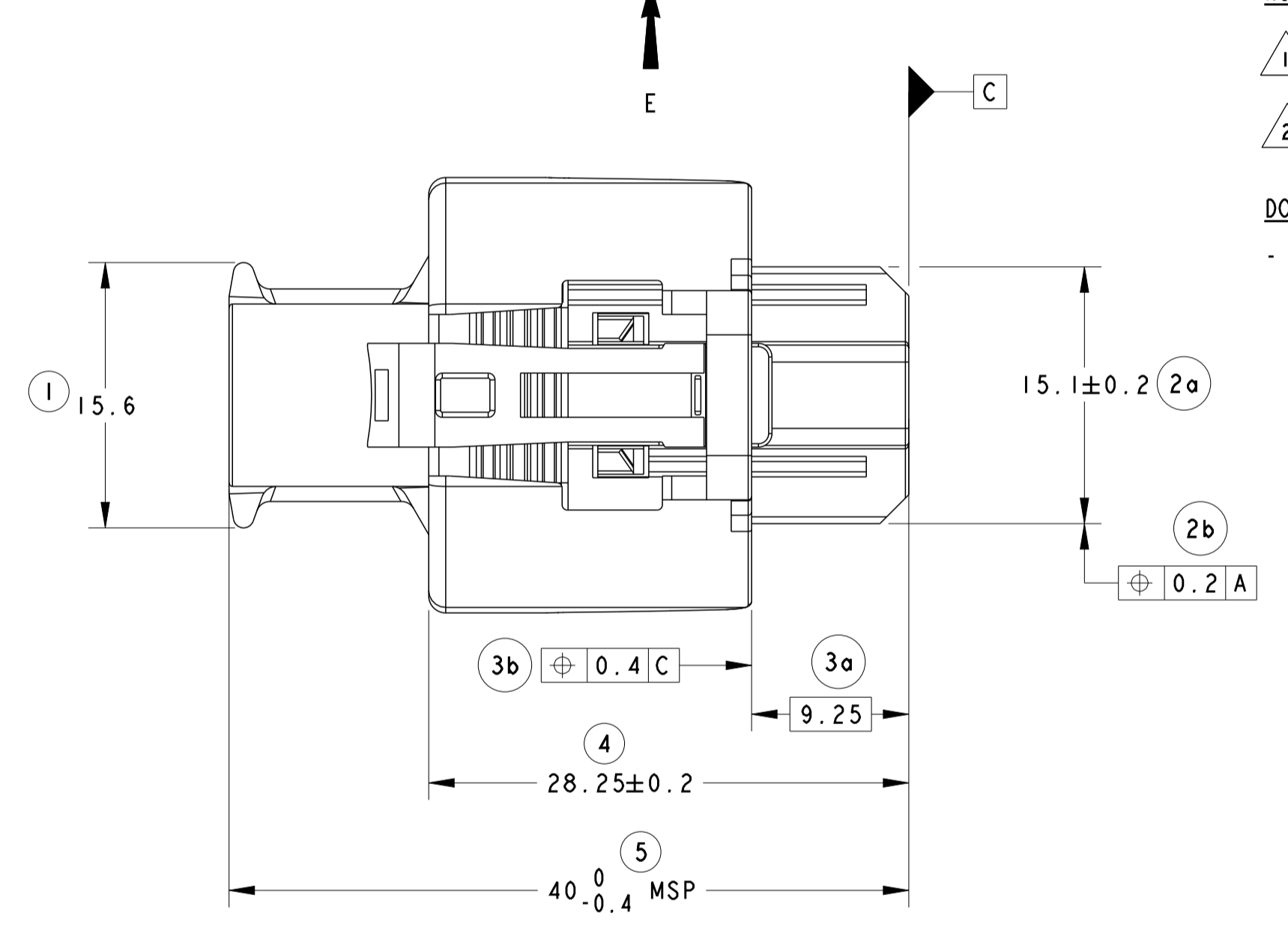
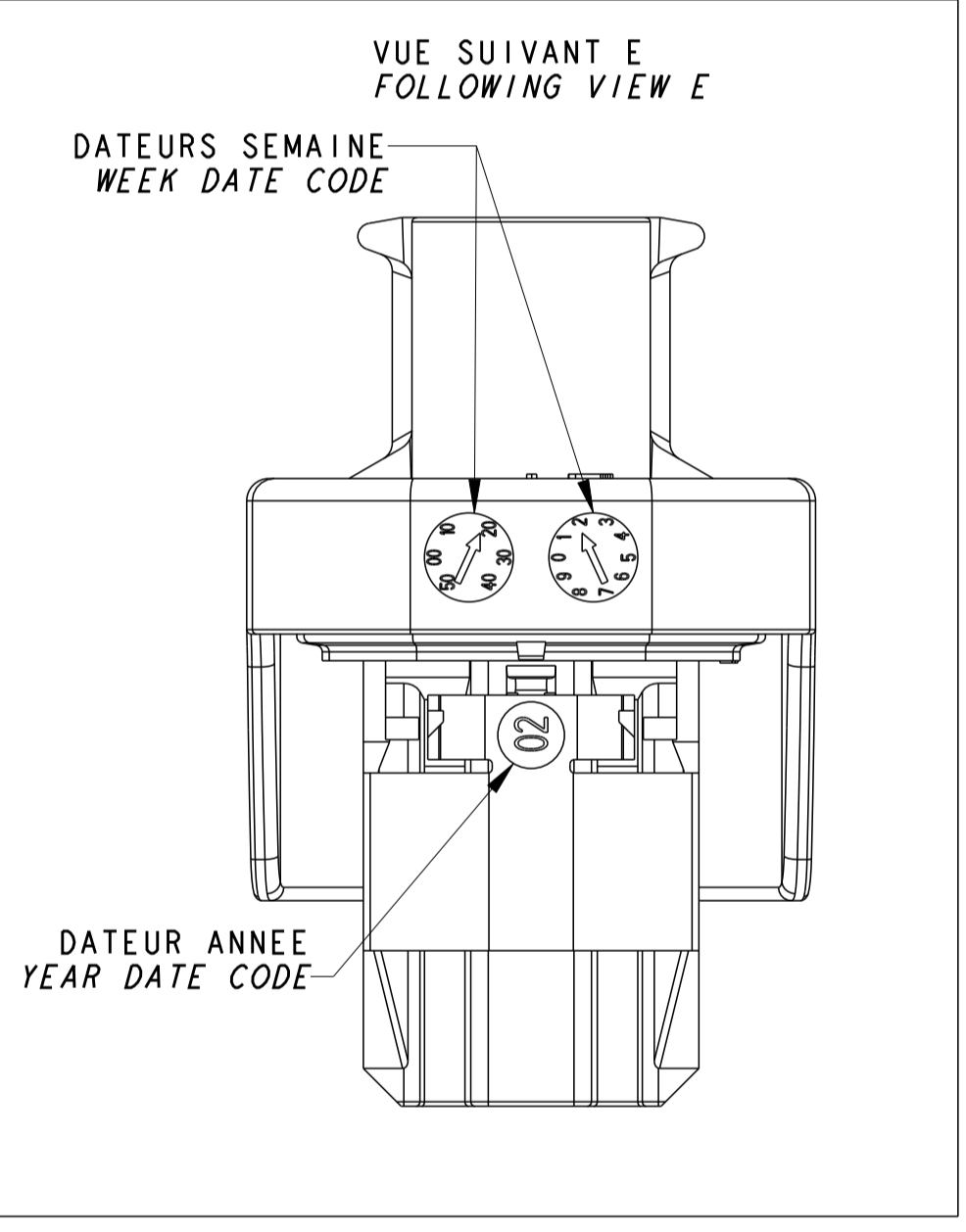
N° COMPOSANT ITEM NR	QTE QTY	DESIGNATION DESCRIPTION	MATIERE MATERIAL	COULEUR COLOR
B	1	JOINT INTERFACIAL INTERFACIAL SEAL	SILICONE MVO 50 AUTOLUBRIFIE SELF LUBRICATED MVO 50 SILICON	VERT GREEN
A	1	PORTE CLIP RECEPTACLE HOUSING	PBT PBT	VOIR TABLEAU SEE TABLE

- NOTES :
- 1 LEVRES DU JOINT EXEMPTES DE BAVURES, COUPURES OU DEFATS D'ASPECTS  
BURRS, CRACKS OR SURFACES DEFECTS FORBIDEN ON SEAL LIPS
  - 2 ZONE SANS PLAN DE JOINT ET EXEMPTE DE MARQUES OU DE RAYURES  
AREA WITHOUT ANY JUNCTION LINES, MARKS OU BURRS

DOCUMENTS DE REFERENCE / REFERENCE DOCUMENTS :  
- PLAN D'INTERFACE / INTERFACE DRAWING:  
TYCO ELECTRONICS No1/nr 1544642

COMPOSANTS ASSOCIES  
ASSOCIATED COMPONENTS

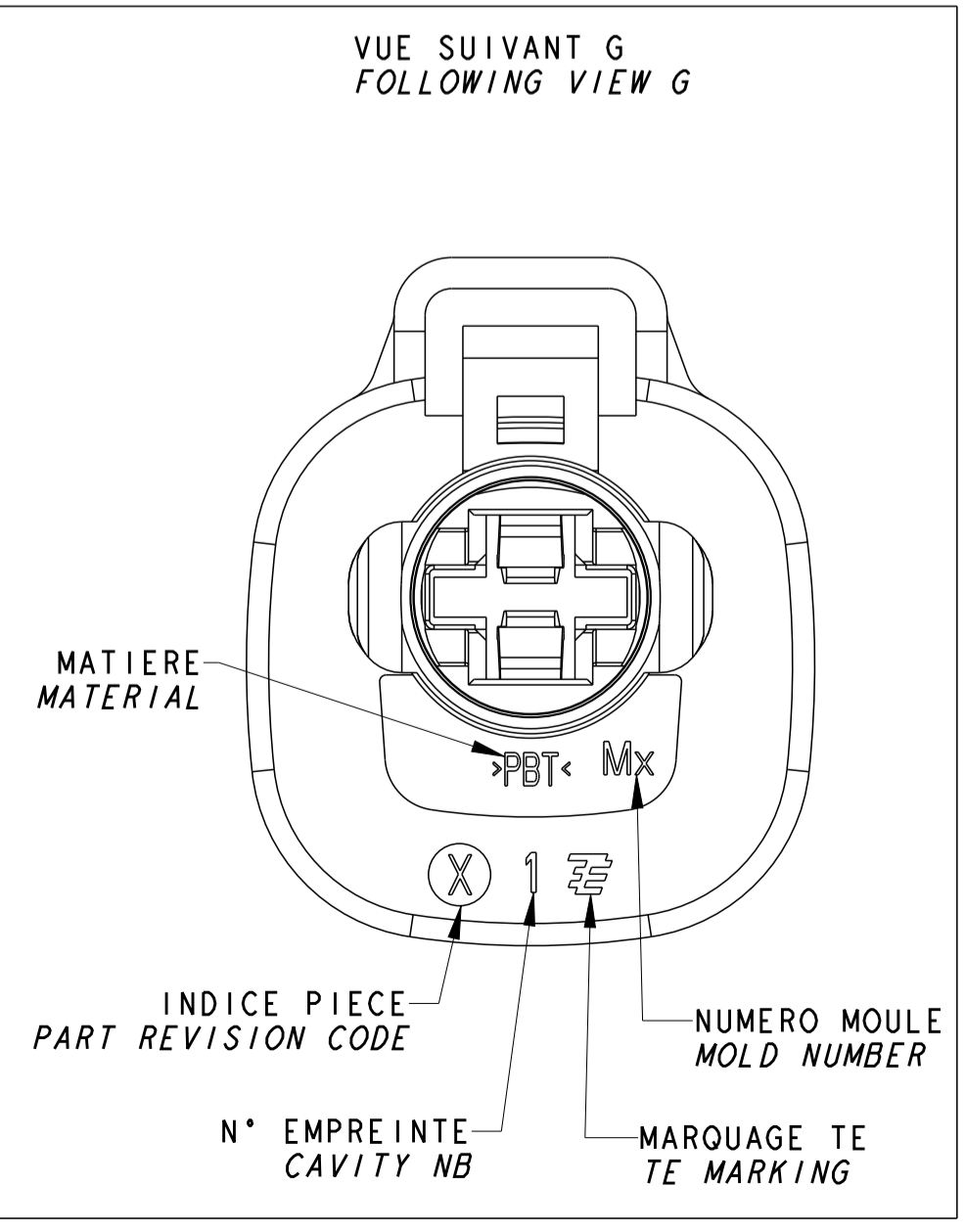
COMPOSANTS COMPONENTS	REF TE TE PN	MATIERE / MATERIAL	COULEUR COLOR
PORTE-LANGUETTE 1V 8NG1 ETANCHE 1-WAY 8NG1 SEALED TAB HOUSING	1544606-1	PBT GF-10 V0	NOIR/BLACK
PORTE-LANGUETTE 1V 8NG1 ETANCHE 1-WAY 8NG1 SEALED TAB HOUSING	1544606-2	PBT GF-10 V0	BLEU/BLUE
PORTE-LANGUETTE 1V 8NG1 ETANCHE 1-WAY 8NG1 SEALED TAB HOUSING	1544606-3	PBT GF-10 V0	GRIS/GREY



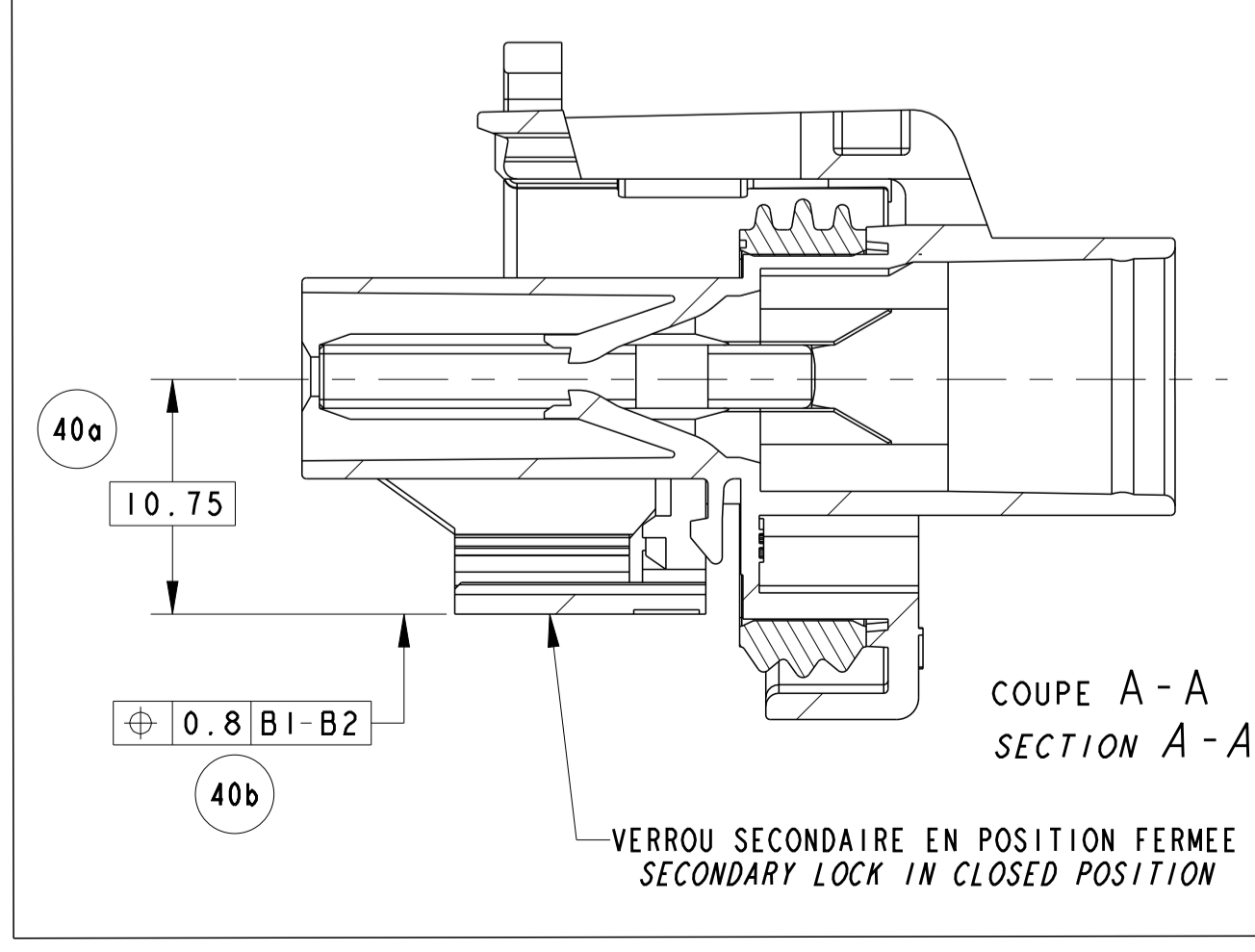
ECHELLE 2:1  
SCALE 1:1

COMPOSANTS ASSOCIES  
ASSOCIATED COMPONENTS

COMPOSANTS COMPONENTS	REF TE TE PN	MATIERE / MATERIAL	COULEUR COLOR
CLIP 8mm NG1 G2: GAMME DE 3 A 6 mm <sup>2</sup> 8mm NG1 RECEPTACLE G2: RANGE FROM 3 TO 6 mm <sup>2</sup>	1544227-1	CUIVRE MICRO ALLIE MICRO ALLOYED COPPER	-
CLIP 8mm NG1 G3: GAMME DE 7 A 10 mm <sup>2</sup> 8mm NG1 RECEPTACLE G3: RANGE FROM 7 TO 10 mm <sup>2</sup>	1544228-1	CUIVRE MICRO ALLIE MICRO ALLOYED COPPER	-
JOINT UNIFILAIRE A SERTIR DIAMETRE FIL DE 3.18 A 4.2 mm SINGLE WIRE SEAL WIRE DIAMETER FROM 3.18 TO 4.2 mm	1544316-1	SILICONE MVO 50 AUTOLUBRIFIE SELF LUBRICATED MVO 50 SILICON	VERT GREEN
JOINT UNIFILAIRE A SERTIR DIAMETRE FIL DE 4.87 A 5.63 mm SINGLE WIRE SEAL WIRE DIAMETER FROM 4.87 TO 5.63 mm	1544316-2	SILICONE MVO 50 AUTOLUBRIFIE SELF LUBRICATED MVO 50 SILICON	ORANGE ORANGE



VERROU SECONDAIRE EN POSITION FERME  
SECONDARY LOCK IN CLOSED POSITION



REFERENCE DES COMPOSANTS / COMPONENTS PART NUMBER

REFERENCE TE TE REFERENCE	1544603-1	1544603-2	1544603-3
COULEUR Colour	NOIR / BLACK	BLEU / BLUE	GRIS / GREY

TYCO ELECTRONICS FRANCE SAS  
517 av. de la Boisse, 73000 Chambéry

APPROUVE  
F. SAPIET  
31JUL2007

APPROUVE  
J. DANER  
31JUL2007

NAME  
TITRE  
PORTE CLIP 1 VOIE 8mm NG1  
ETANCHE / 1 WAY 8mm NG1  
SEALED RECEPTACLE ASSEMBLY

SIZE  
FORMAT  
A1

WEIGHT  
MASSE APPROX.  
6.4 g

CUSTOMER DRAWING / PLAN CLIENT

UNIFORMITE  
POUR REFERENCE

SCALE  
ECHELLE 3:1

SHEET  
FEUILLE 1 OF 1

REV  
C