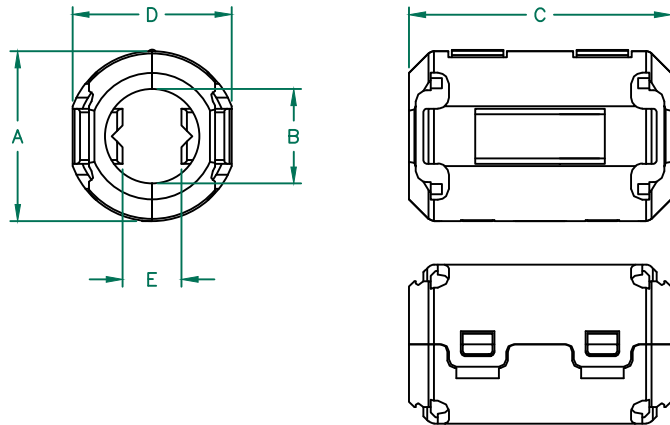


CORE DIMENSIONS:

A	20.00 [.787]	+	0.30 [.012]
B	13.00 [.512]	+	0.30 [.012]
C	29.00 [1.142]	+	0.50 [.020]
D	9.50 [.374]	+	0.20 [.008]
E	6.240 [.246]	+	0.30 [.012]

Weight/1000 24.89 kgs 54.88 lbs.
(Per Pair)



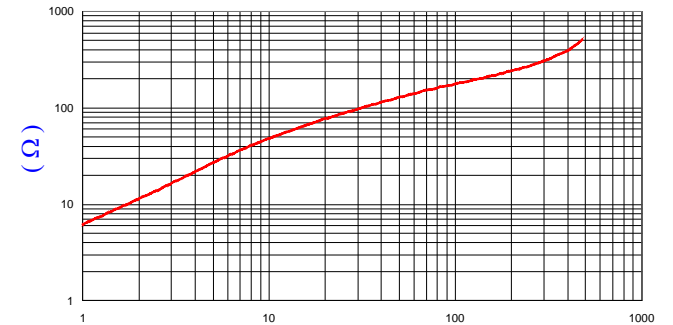
CASE DIMENSIONS:

A	23.50 [.925]	+	0.40 [.016]
B	13.06 [.514]	+	0.30 [.012]
C	36.25 [1.427]	+	0.50 [.020]
D	22.00 [.866]	+	0.30 [.012]
E	8.13 [.320]	+	REF.



IMPEDANCE (Z)			
Frequency	25 MHz	100 MHz	300 MHz
Nominal (REF)	86 Ω	177 Ω	305 Ω
Minimum	- Ω	142 Ω	- Ω

Z vs. FREQUENCY
(REF. ONLY)



FREQUENCY (MHz)

AGILENT E4991A Impedance/Material Analyzer
HP 16092A-Test Fixture

NOTES:

1. CASE FLAMMABILITY RATING: UL94 V-0
2. CASE MATERIAL: HALOGEN FREE NYLON
3. ASSEMBLED PART #: 28A2913-0A2
4. CORE PART #: 28A2913-000
5. CASE COLOR: BLACK -"0A2"
6. COSMETIC SPECIFICATION REFER TO WI-QA-038.

DIMENSIONS ARE IN mm [INCHES].				This print is the property of Laird Tech. and is loaned in confidence subject to return upon request and with the understanding that no copies shall be made without the written consent of Laird Tech. All rights to design or invention are reserved.			Laird	
				PROJECT/PART NUMBER:		REV	PART TYPE:	DRAWN BY:
C	UPDATE COMPANY LOGO ,ADD NOTE 6	08/23/14	QIU	28A2913-0A2	C	FERRITE SNAP-ON	TMB	
B	CHANGE PLASTIC CASE PLUNGER FROM TAB TO CONVEX FEATURE	04/27/11	JUN	DATE:	11/24/08	SCALE:	NTS	MATERIAL:
A	ORIGINAL DRAFT	11/24/08	TMB	CAD #	28A2913-0A2-C	TOOL #	-	Ferrite
REV	DESCRIPTION	DATE	INT					