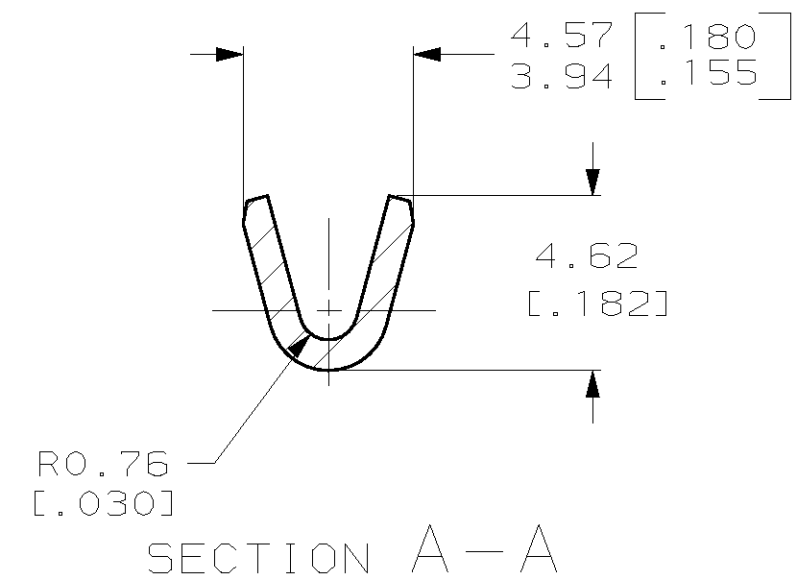
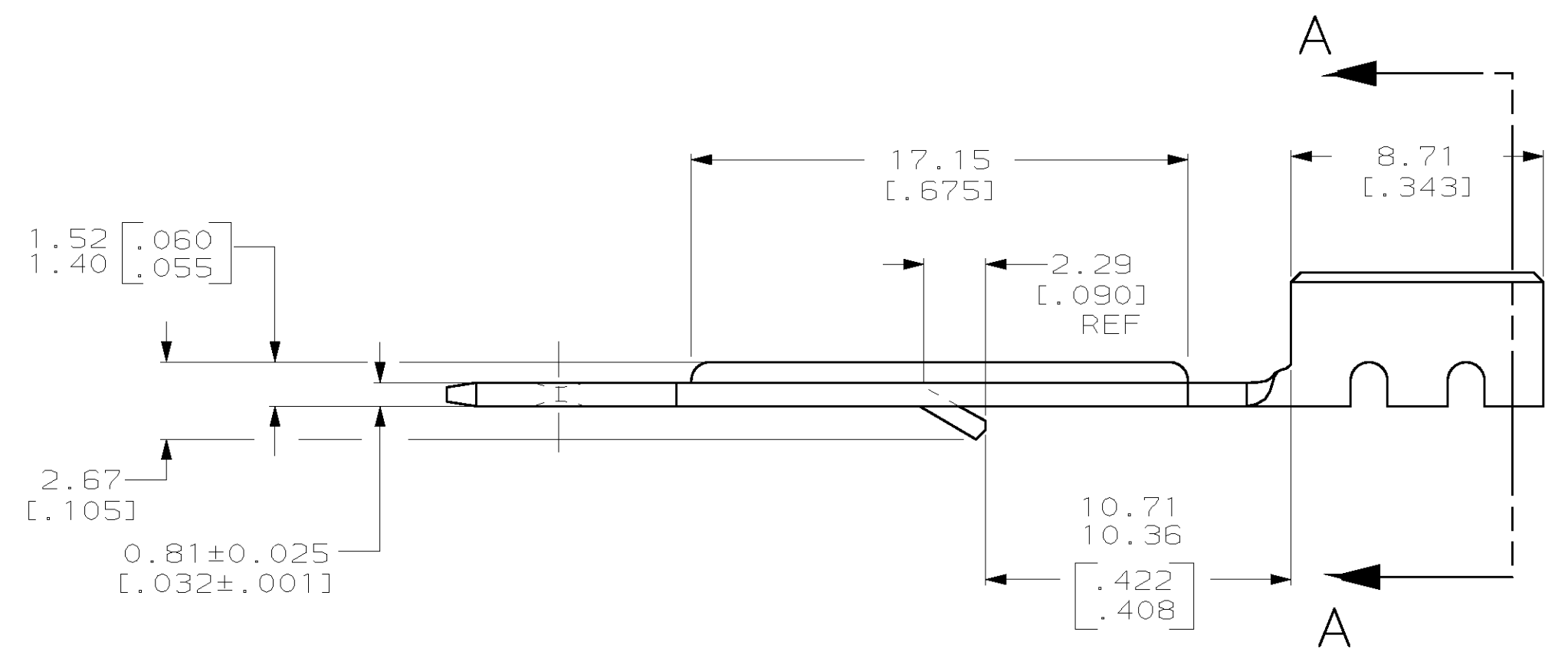
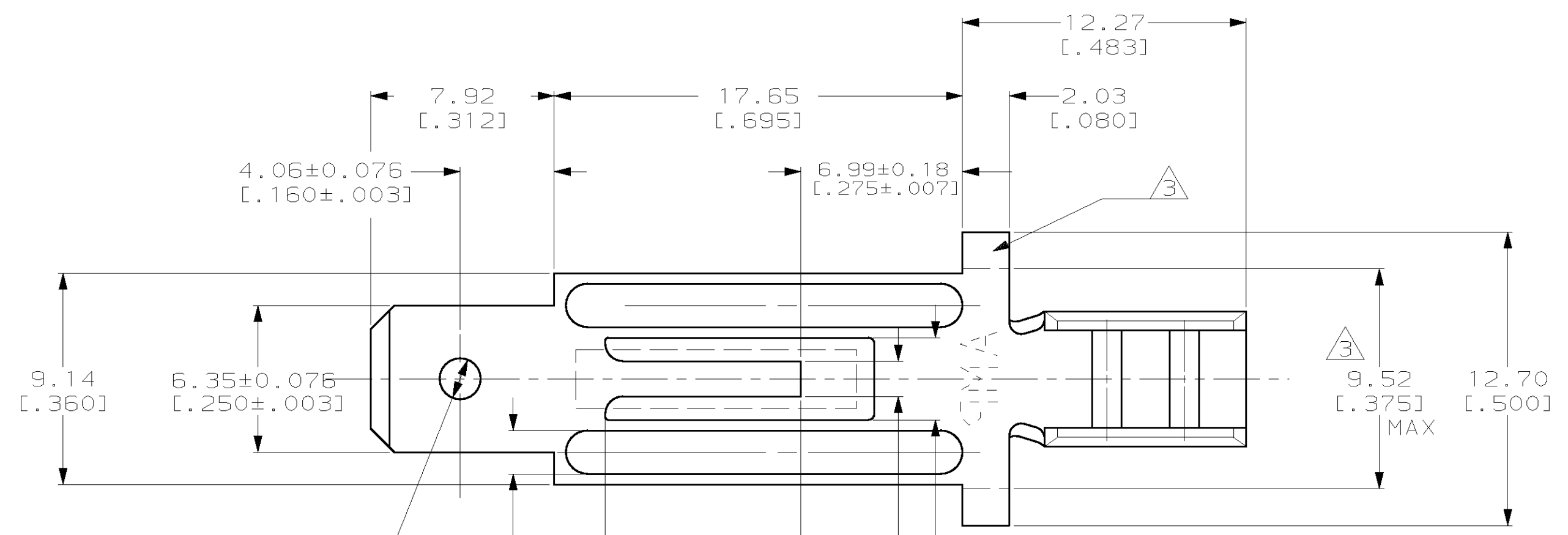


THIS DRAWING IS UNPUBLISHED. RELEASED FOR PUBLICATION  
 (C) COPYRIGHT 19 BY AMP INCORPORATED. ALL RIGHTS RESERVED.

LOC		DIST		REVISIONS			
P	LTR	DESCRIPTION	DATE	DWN	APVD		
AF	50	J	3/4/98	REDRAWN PER OG1A-0030-98	JR	JG	

- 1 CONTINUOUS STRIP ON REELS
- 2 SEE DRAWING CP80-8238 FOR SUGGESTED CERAMIC DIMENSIONS.
- 3 EARS MAY BE CUT-OFF USING SPECIAL APPLICATOR AND SHEAR TOOLING AT OPTION OF CUSTOMER.



63104-1  
PART NO.

THIS DRAWING IS A CONTROLLED DOCUMENT.		DWN	JR RUTH	3/4/98	AMP Incorporated Harrisburg, PA 17105-3608			
DIMENSIONS: MM (INCHES)		CHK	MS FEHER	3/4/98				
TOLERANCES UNLESS OTHERWISE SPECIFIED: 0 PLC ± 1 PLC ± 2 PLC ±0.3B [.015] 3 PLC ± 4 PLC ± ANGLES ±		APVD	J GILLESPIE	3/4/98				
MATERIAL T2 C.R. STEEL FINISH NICKEL		PRODUCT SPEC	-					
APPLICATION SPEC WEIGHT -		SIZE	A2	00779	DRAWING NO	63104	RESTRICTED TO	-
CUSTOMER DRAWING		SCALE	5:1	SHEET	1 OF 1	REV	J	