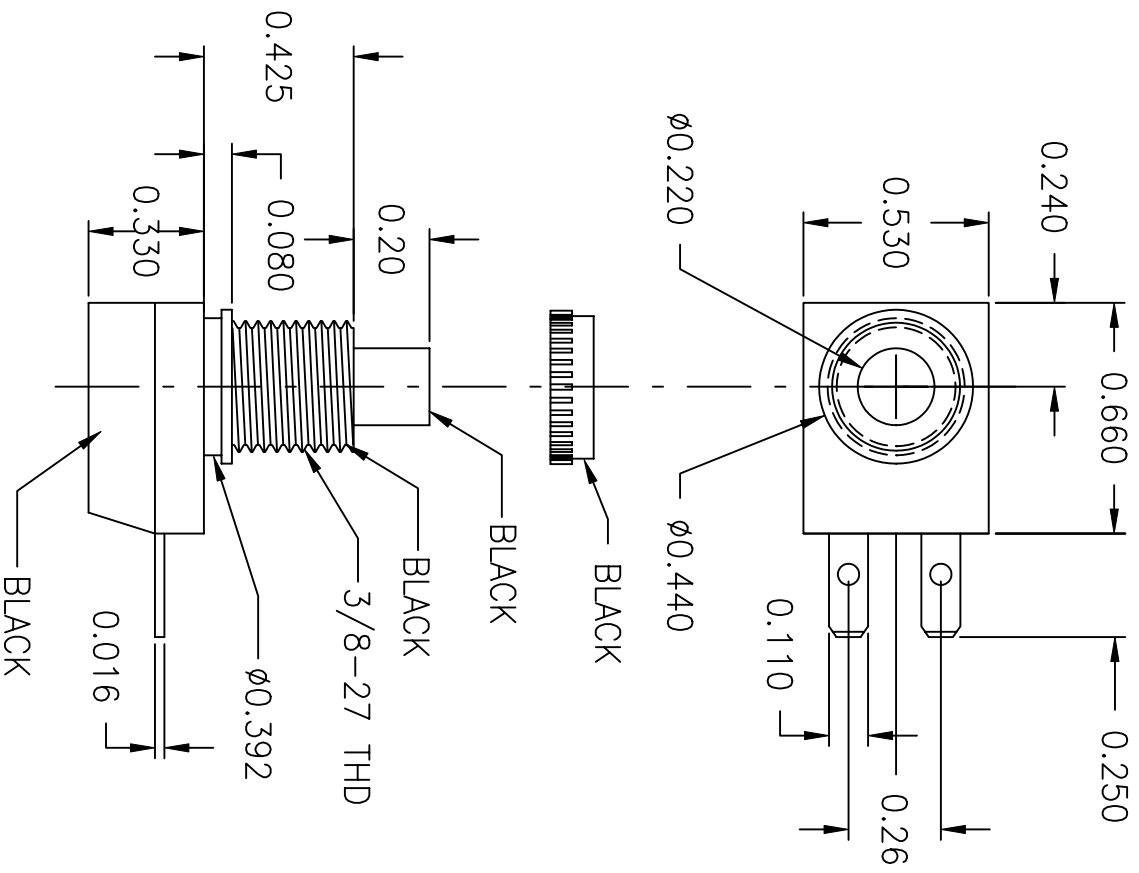


LTR	EN	DESCRIPTION	APPR	BY	DATE
A	-	INITIAL RELEASE	RB	NH	9-15-06



JUDCO INVENTORY NO. 40-4524-00
 SWITCH TYPE: PUSH ON-PUSH OFF, SPST
 UL ELECTRICAL RATING: 125 VAC, 6A
 UL TEMPERATURE RATING: 65°C
 NUT PACKED SEPARATELY

CUSTOMER: DIGIKEY
 APPROVED BY: _____
 DATE: _____

DIMENSIONS IN INCHES DIMENSIONS ARE REFERENCE		
DRAWN: NH	9-15-06	
APPR: KJ	9-15-06	TITLE HARBOR CITY CALIFORNIA OUTLINE J-188A-1 ULAC W/STRAIGHT TERMINALS DWG. NO. 1415-1024 SHEET 1 OF 1
1415U1024A.DWG		

This document embodies a product, component, and/or design proprietary to JUDCO MANUFACTURING INC., and which is protected either as a trade secret, by U.S. Patent, or by copyright. It may not be used in any way without written express consent of JUDCO MANUFACTURING INC.