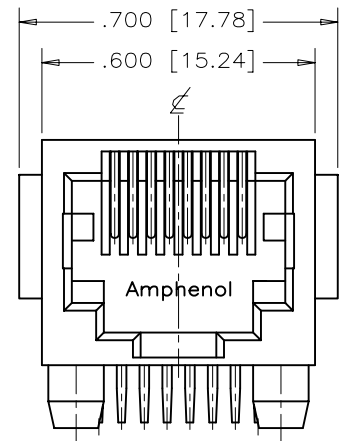
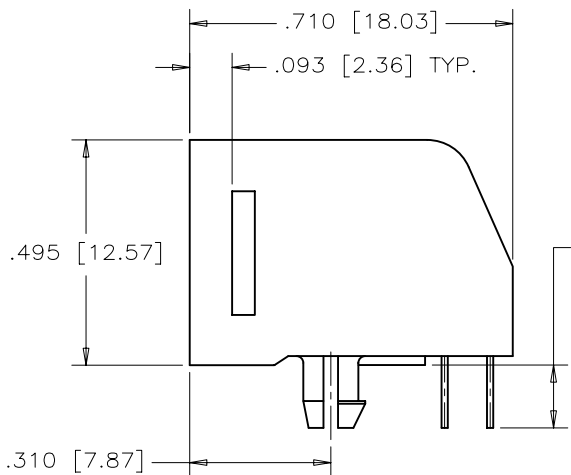


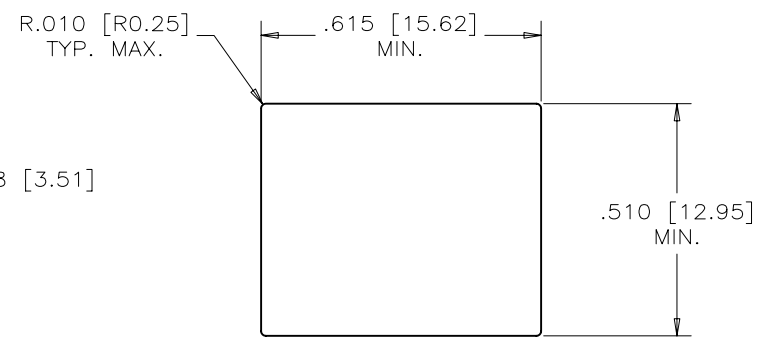
REVISIONS				
SYM	ZONE	ECN, ERN NO.	DATE	APPRD.
A		PROPOSAL	APR8/08	L.CHAN



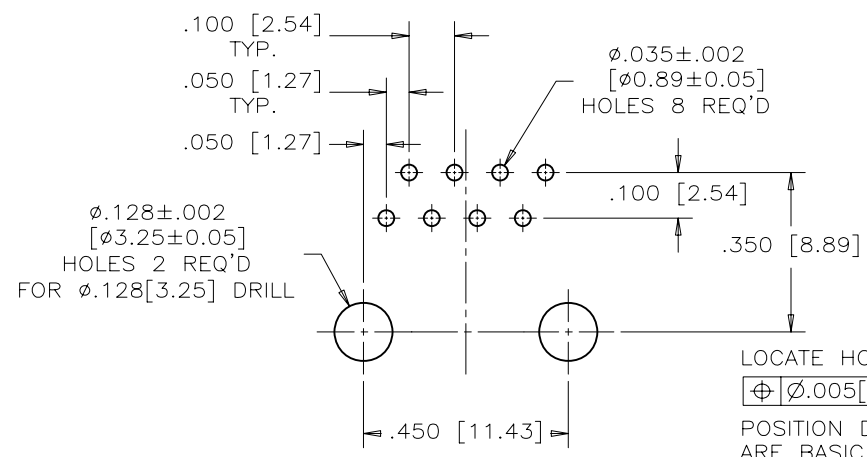
FRONT VIEW



SIDE VIEW



RECOMMENDED PANEL CUTOUT



RECOMMENDED P.C.B. LAYOUT
(COMPONENT SIDE OF BOARD)



MATERIALS:

- HOUSING: ENGINEERING THERMOPLASTIC
FLAMMABILITY RATING UL 94V-0
COLOR: BLACK
- CONTACTS: PHOSPHOR BRONZE
- PLATING: REFER TO PART NUMBER FOR GOLD THICKNESS ON MATING SURFACES.
50 μ" [1.27 MICRONS] MIN. NICKEL UNDERPLATE
100 μ" [2.54 MICRONS] MIN. MATTE TIN OR GOLD FLASH ON CONTACT TAILS.

PART NUMBER: RJE03-188-0X20

- 1 = 06 μ" GOLD
- 2 = 15 μ" GOLD
- 3 = 30 μ" GOLD
- 4 = 50 μ" GOLD

MATERIAL -----	DRAWN	J.OUYANG	DATE	APR8/08	Amphenol Canada Corp.		
	DESIGNED	MT.CHAN	APR8/08				
FINISH -----	CHECKED	L.CHAN	APR8/08		TITLE MODULAR JACK, 8 POSITION, 8 CONTACTS, WITHOUT SHIELD WITH SIDE FLANGES- RoHS COMPLIANT		
	I. E. APPRD.						
	Q. A. APPRD.				DWG	DRAWING NO.	REV.
	DWG. APPRD.				C	P-RJE03-188-0X20	A
	ENG. REL. NO.				DIMENSIONS ARE IN INCHES [mm] CODE ID. NO. 03554		
	REF.	EAR #A080402			SCALE	4/1	WT. ----- SURF. ----- SHEET 1 OF 1

THIS DOCUMENT CONTAINS PROPRIETARY INFORMATION AND SUCH INFORMATION MAY NOT BE DISCLOSED TO OTHERS FOR ANY PURPOSE OR USED FOR MANUFACTURING PURPOSES WITHOUT WRITTEN PERMISSION FROM AMPHENOL CANADA CORP.