



PRODUCT DATASHEET

Lena series

last update 23/2/2014

DETAILS

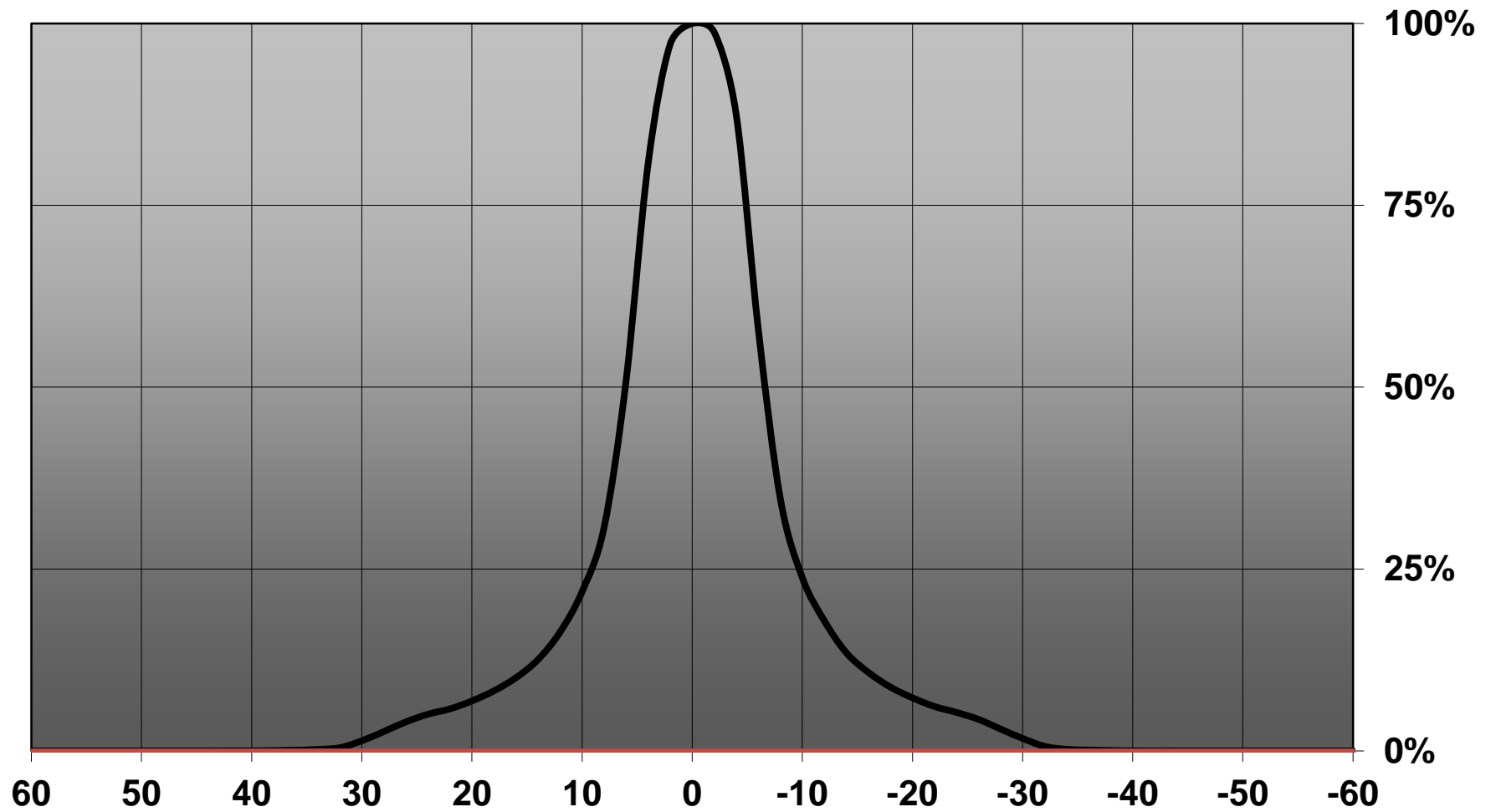
Product Number	CN13334_LENA-S
Family	Lena
Type	RefPack
Color	metal
Diameter	111 mm
Height	87 mm
Style	round
Optic Material	
Holder Material	
Fastening	screw, socket
Status	production ready
ROHS Compliant	Yes
Date Updated	23/02/2014



OPTICAL PROPERTIES

LED	Viewing Angle	Light Beam	Efficiency	cd/lm	Connector
CXA/B 25xx	13 deg	Spot	84 %	8.000	-

Relative intensity of CN13334_LENA-S-CXA25



D

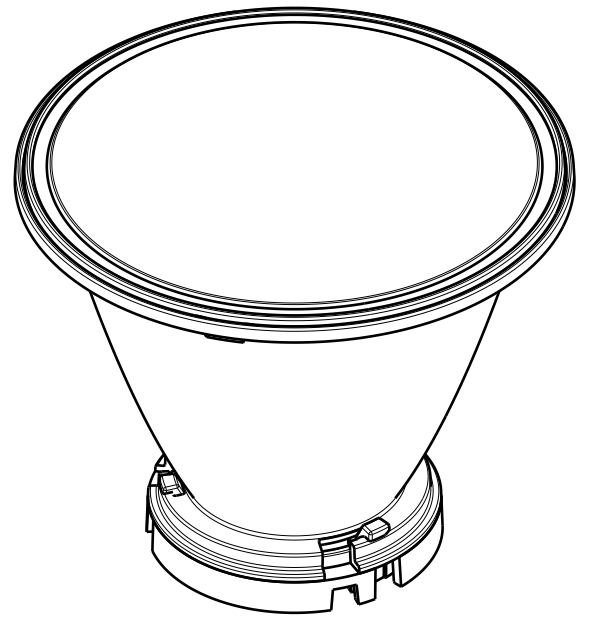
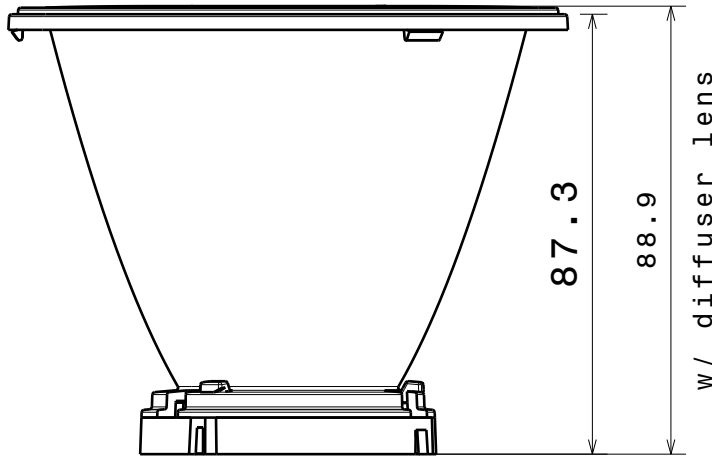
C

B

A

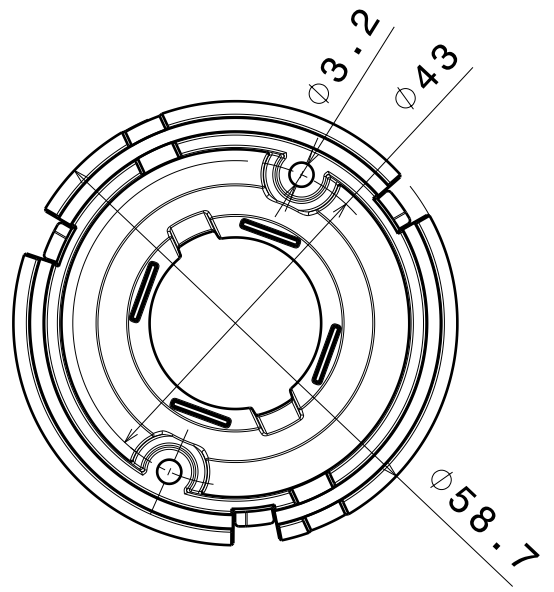
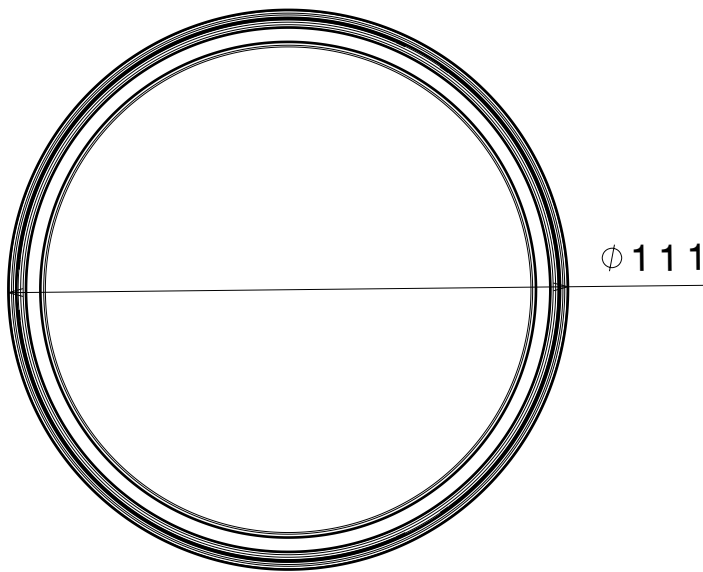
4

4



3

3



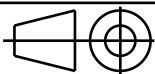
2

2

Tolerances if not otherwise shown
 According to DIN ISO 2768-1
 Linear measures:
 Up to 30mm class M, otherwise class C.
 According to DIN ISO 2768-2
 Form and position: class L

LEDiL LediL Oy
 Salorankatu 10
 FIN 24240 SALO
 Finland

THIRD ANGLE PROJECTION:



DRAWING TITLE

LENA-CXA25

This drawing is the property
 of LEDiL Oy. It may not be
 reproduced, copied or
 communicated without a written
 agreement with LEDiL Oy.

SIZE PART NUMBER
 A4

SCALE 2:3 WEIGHT - g SHEET 1/1

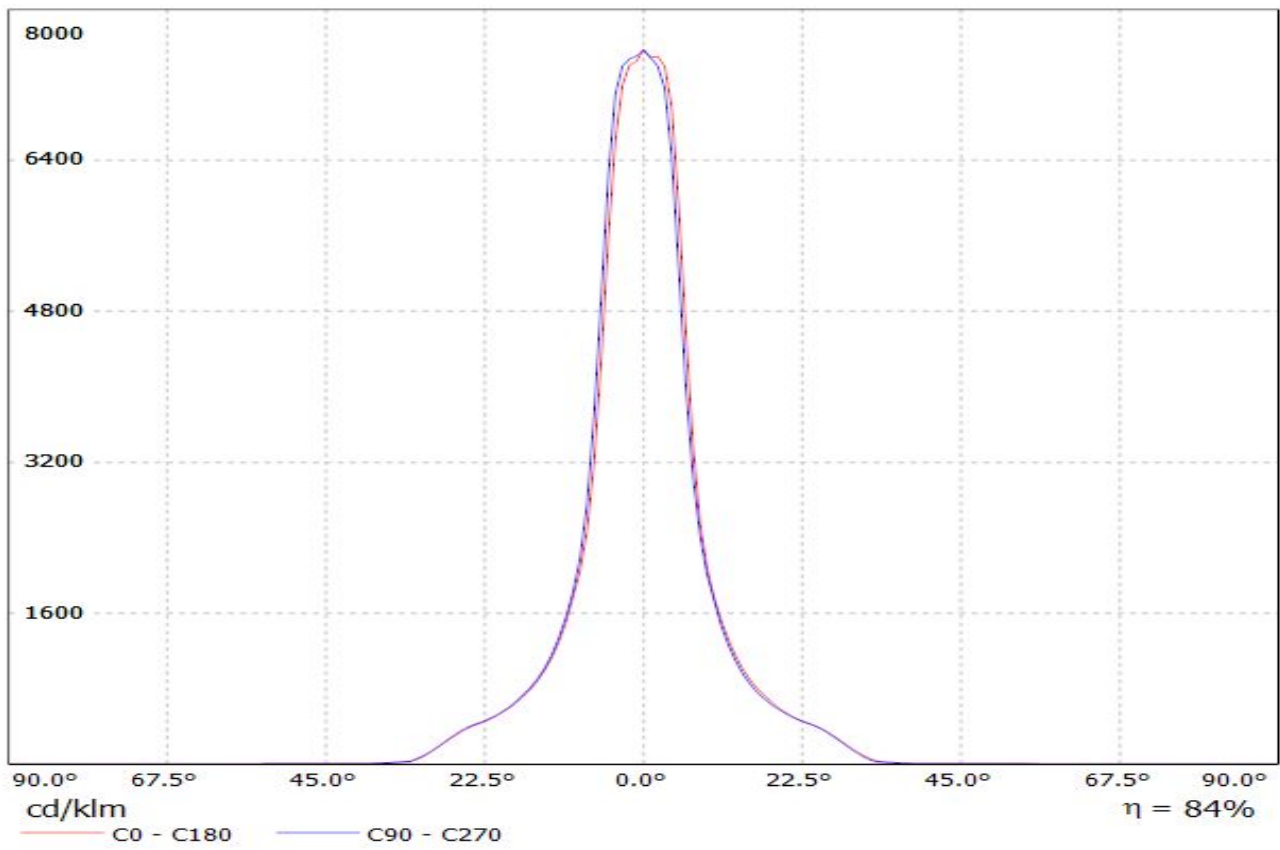
D

A

1

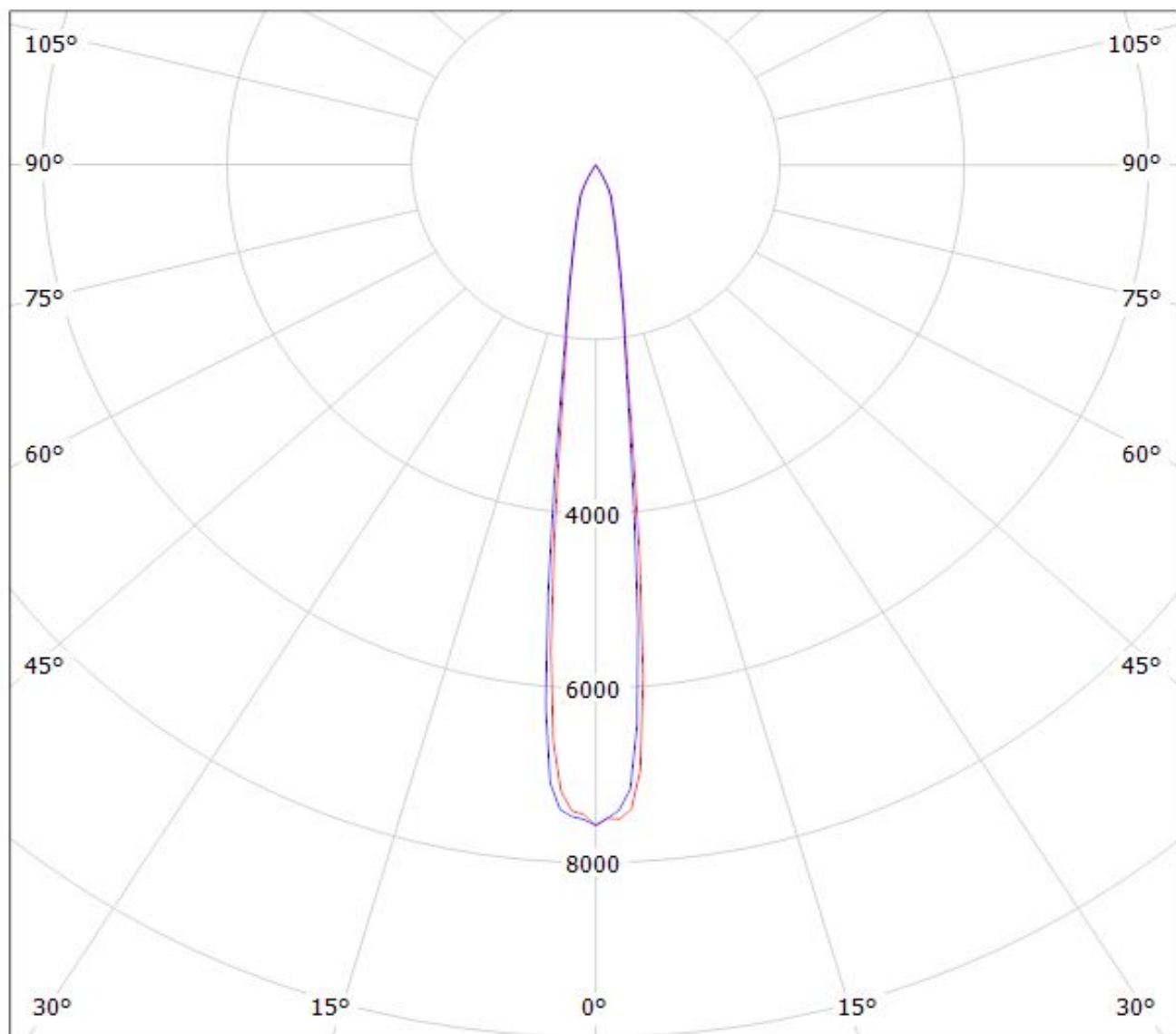
1

Luminaire: LEDiL Oy CN13334_LENA-S_(CXA25) Eff.84%
Lamps: 1 x CREE_CXA25_(2520-7A-N4-N0U) 860.265lm@250mA CCT=3000K P=8.58457W I=249.9mA



Luminaire: LEDiL Oy CN13334_LENA-S_(CXA25) Eff 84%

Lamps: 1 x CREE_CXA25_(2520-7A-N4-N0U) 860.265lm@250mA CCT=3000K P=8.58457W I=249.9mA



cd/klm

— C0 - C180 — C90 - C270

$\eta = 84\%$

NOTE: The typical divergence will be changed by different color, chip size and chip position tolerance. The typical total divergence is the full angle measured where the luminous intensity is half of the peak value.