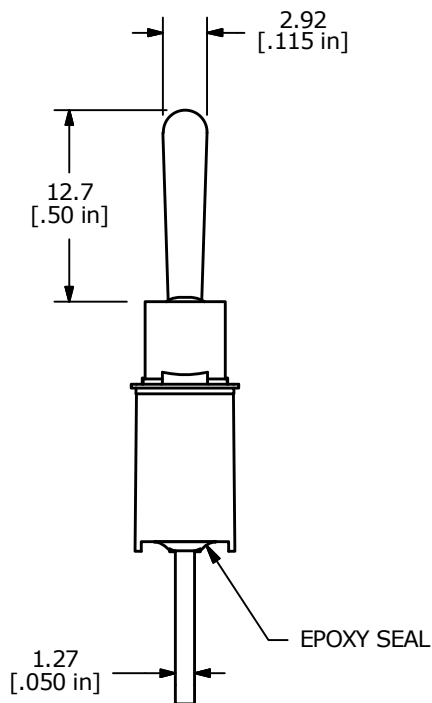
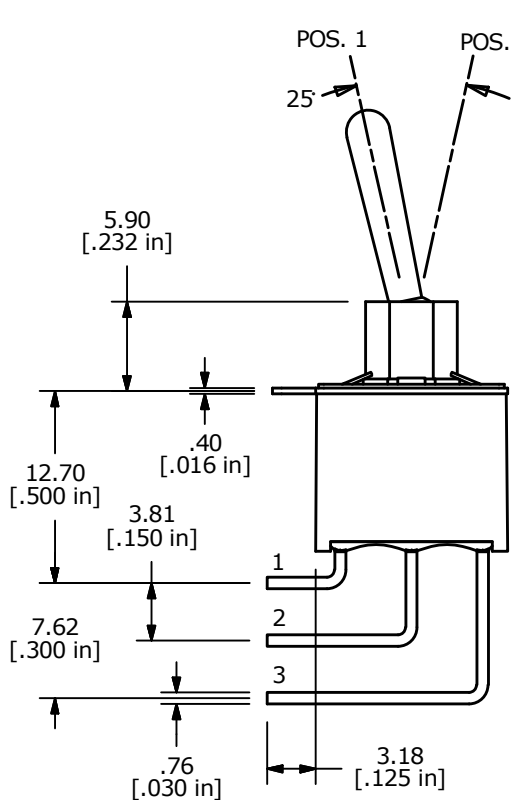
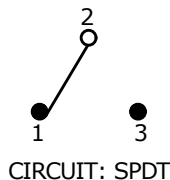


SWITCH FUNCTION		
POS. 1	POS. 2	POS. 3
ON	N/A	ON
2-3	OPEN	2-1



NOTE:

1. ALL DIMENSIONS IN MM [INCH]
2. GENERAL TOLERANCE: X.X = ±0.4
X.XX = ±0.25
3. TERMINAL NUMBERS FOR REF ONLY
- ▲ 4. PLATING MATERIAL: SILVER
5. RATING: 5A @120VAC OR 28 VDC
2A @250VAC
6. ELECTRIC LIFE: 30,000 MAKE-AND-BREAK CYCLES
7. INSULATION RESISTANCE: 1,000 MΩ MIN.
8. DIELECTRIC STRENGTH: 1,000 V RMS @SEA LEVEL
9. OPERATING TEMP.: -30°C to 85°C
10. ▲ DENOTES CRITICAL PARAMETER
11. 2011/65/EU (ROHS) COMPLIANT



B	22470	UPDATE PRINT and REDRAW	8/30/16	MW
A	14095	RELEASE FOR PRODUCTION	6/15/04	AR
REV	PCR NO	DESCRIPTION	DATE	BY

TITLE 100AWSP1T1B4M7QE				
SCALE 2:1	DATE 6/15/2004	DR AR	DWG T101009	REV B

THE INFORMATION CONTAINED IN THIS DOCUMENT IS PROPRIETARY TO E-SWITCH AND IS NOT TO BE COPIED OR TRANSFERRED