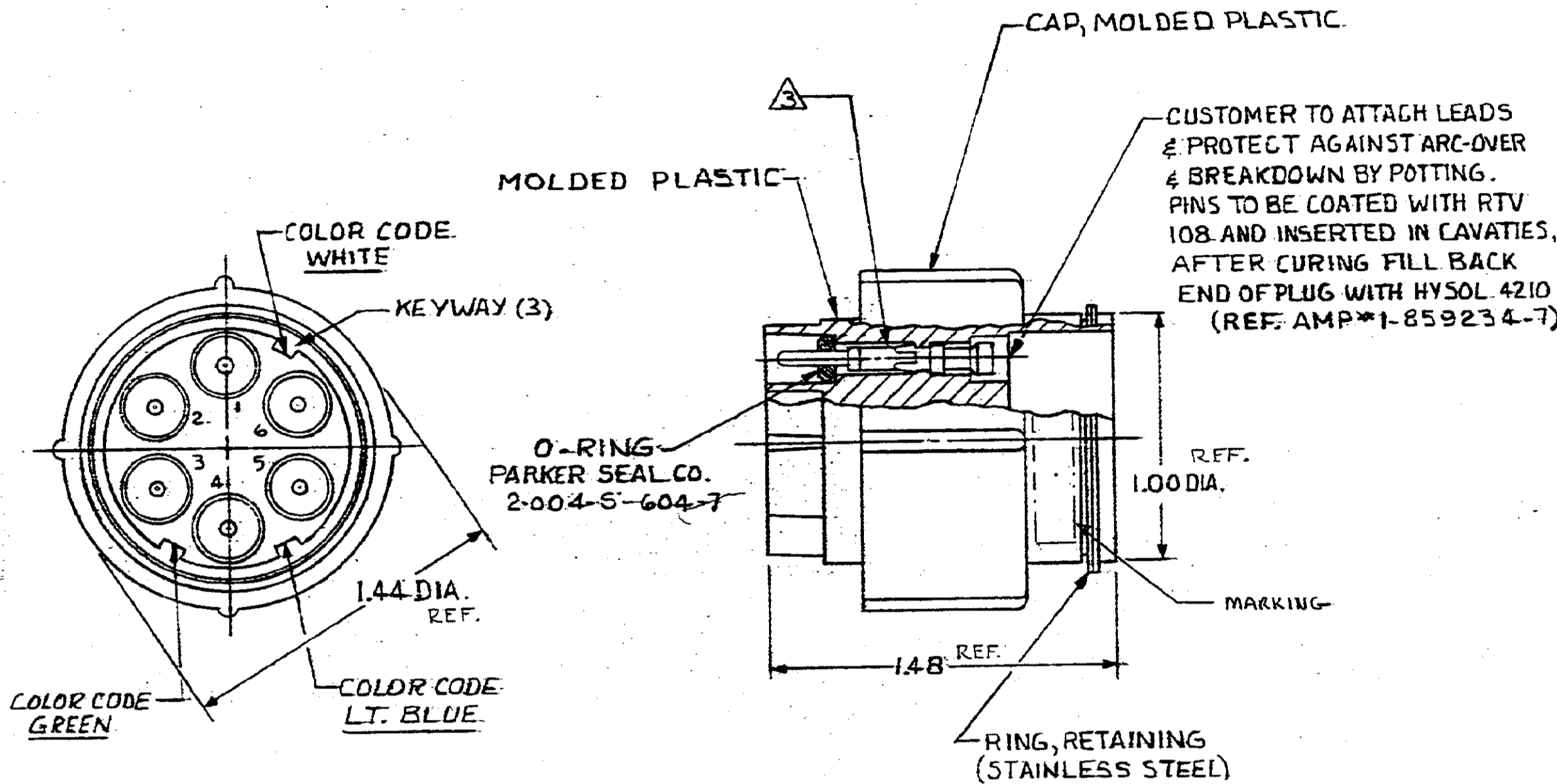


DRAWING MADE IN THIRD ANGLE PROJECTION

THIS DRAWING IS UNPUBLISHED. RELEASED FOR PUBLICATION . 19
 © COPYRIGHT 19 BY AMP INCORPORATED, HARRISBURG, PA. ALL INTERNATIONAL RIGHTS RESERVED. AMP PRODUCTS MAY BE COVERED BY U.S. AND FOREIGN PATENTS AND/OR PATENTS PENDING.

LOC DIST
DF 50

| REVISIONS | | | | | |
|-----------|---|----------|--------------------|-----------------|----------|
| P | F | ZONE/LTR | DESCRIPTION | DATE | APPROVED |
| | | E | REDRAWN 7/6 CHANGE | 6/5 8/14/84 | J.W. |
| | | F | OBSOLETE - 6 | ECNS305 11-5-84 | R.B. |
| ✓ | ✓ | G | OBS-3 ECNDF0376 | 2/2/89 | T.W. |



1. PLUG ASS'Y. WILL WITHSTAND WITHOUT BREAK DOWN 27 KVDC PIN TO PIN & 27 KVDC PIN TO GRD. WHEN MATED WITH RECEPTACLE 859527-1.
2. MARKING TO BE WHITE
3. #16 GA. PINS GOLD PLATED PER MIL-G-45204 TYPE II .000050 MIN. THK.
4. PLUG & PINS TO BE SHIPPED SEPARATELY.
5. TYPE II PINS TO ACCEPT ONE (1) #22 OR #24 OR #20 AWG STRANDED WIRE
6. TYPE II PINS TO ACCEPT ONE (1) #16 AWG OR (1) 18 AWG STRANDED WIRE
7. TO REMOVE PINS USE EXTRACTION TOOL #861751-1
8. TYPE II PINS TO ACCEPT ONE (1) 14-AWG STANDARD WIRE.
9. PART NO. OBSOLETE

| AMP PART NO. | WIRE SIZE RANGE | HAND TOOL | COLOR CODING |
|--------------|-----------------|-----------|--------------|
| 860267-1 | 20,22,24 | 45099 | YES |
| 860267-2 | 16,18 | 45098 | YES |
| 860267-3 | 14 | 45098 | YES |
| 860267-4 | 20,22,24 | 45099 | NO |
| 860267-5 | 16,18 | 45098 | NO |
| 860267-6/9 | 14 | 45098 | NO |

7
8 OBS
9

| | | | | | |
|---|--|---|--|---|--|
| UNLESS OTHERWISE SPECIFIED DIMENSIONS ARE IN INCHES. TOLERANCES ON: DECIMALS .00 ± .04 .000 ± .015 | | CONTRACT NO OR <i>See Specimen</i> 8114184 | | AMP AMP INCORPORATED Harrisburg, Pa. 17105 | |
| MATERIAL | | CHK | | NAME PLUG ASS'Y, H.V. 6 PIN LGH | |
| FINISH BLACK | | APPD <i>J.W. Jones</i> 8-21-84 | | DRAWING NO 860267 | |
| | | OSGN APPD | | SIZE C | |
| | | OTHER APPD | | FSCM NO 00779 | |
| | | | | SCALE NTS | |
| | | | | SHEET 1/1 | |

CUSTOMER DRAWING