



PRODUCT DATASHEET

Rose series

last update 8/12/2016

DETAILS

Product Number	FA10343_CRS-WW
Family	Rose
Type	Assembly
Color	grey
Diameter	21,6 + 21,6 mm
Height	14,54 mm
Style	square
Optic Material	PC
Holder Material	
Fastening	tape
Status	production ready
ROHS Compliant	Yes
Date Updated	8/12/2016



OPTICAL PROPERTIES

LED	Viewing Angle	Light Beam	Efficiency	cd/lm	Connector
XR-E	59 deg	Very Wide	-	0.780	-

D

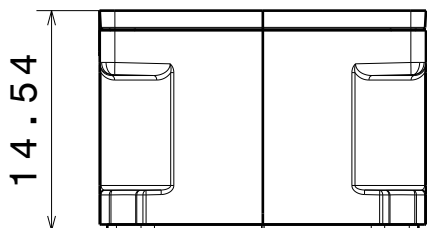
C

B

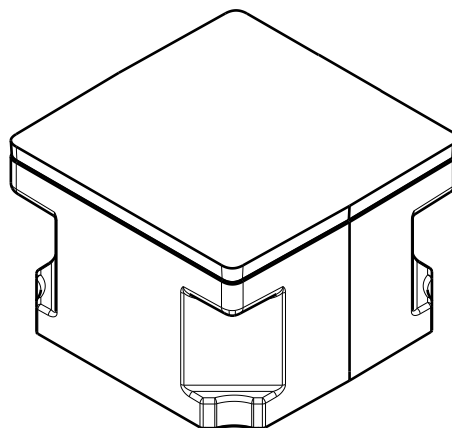
A

4

4



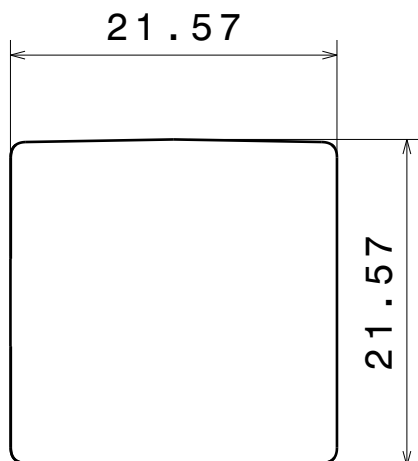
Front view



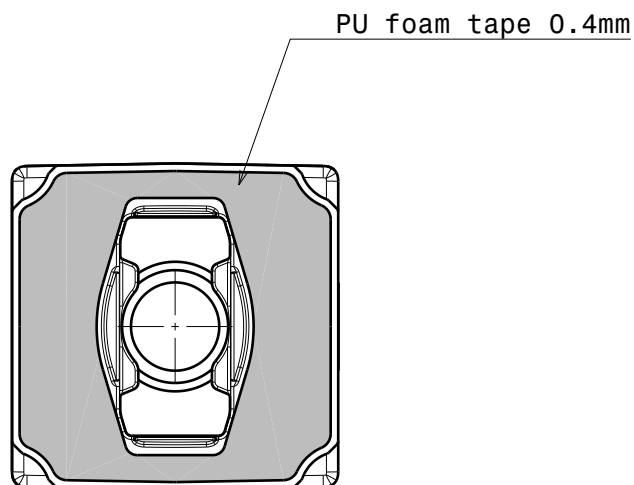
Isometric view

3

3



Top view



Bottom view

2

2

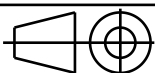
INDEX	PART NO	DESCRIPTION	MATERIAL	COLOUR
1	F10858	ROSE-C-C-W-V5	PMMA	
2	F10713	ROSE-HLD-CRS-W-V5	PC	grey

Tolerances if not otherwise shown
According to DIN ISO 2768-1
Linear measures:
Up to 30mm class M, otherwise class C.
According to DIN ISO 2768-2
Form and position: class L

LEDiL

Ledil Oy
Salorankatu 10
FIN 24240 SALO
Finland

THIRD ANGLE PROJECTION:



DRAWING TITLE

FA10343_CRS-WW

This drawing is the property
of LEDiL Oy. It may not be
reproduced, copied or
communicated without a written
agreement with LEDiL Oy.

SIZE PART NUMBER

A4

FA10343

SCALE	2:1	WEIGHT	4,7 g	SHEET	1/1
-------	-----	--------	-------	-------	-----

1

1

D

A

NOTE: The typical divergence will be changed by different color, chip size and chip position tolerance. The typical total divergence is the full angle measured where the luminous intensity is half of the peak value.