

SECTION C-C

Amphenol  
FCi

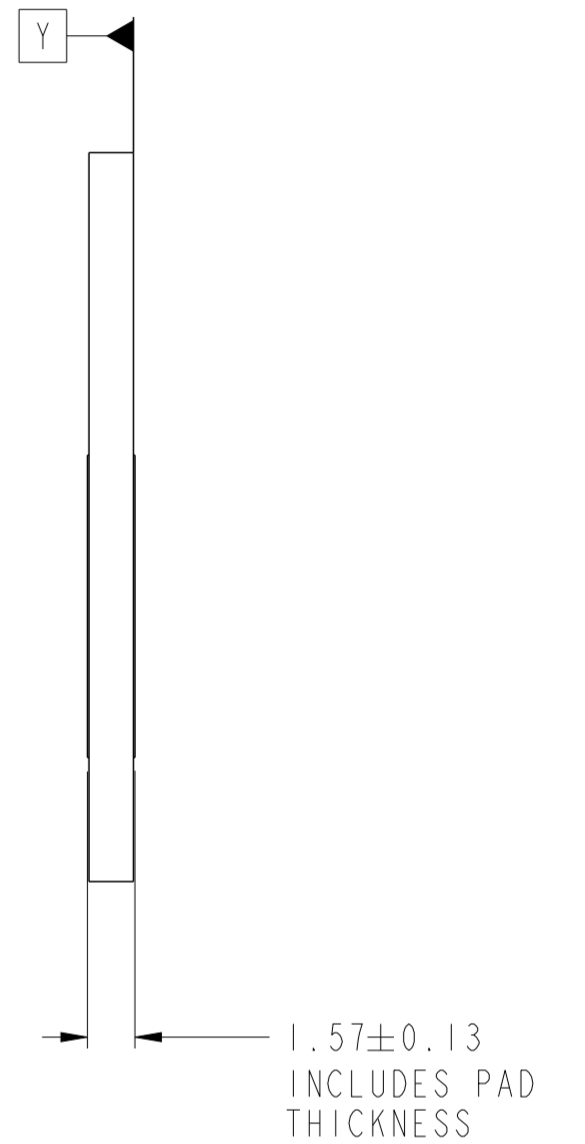
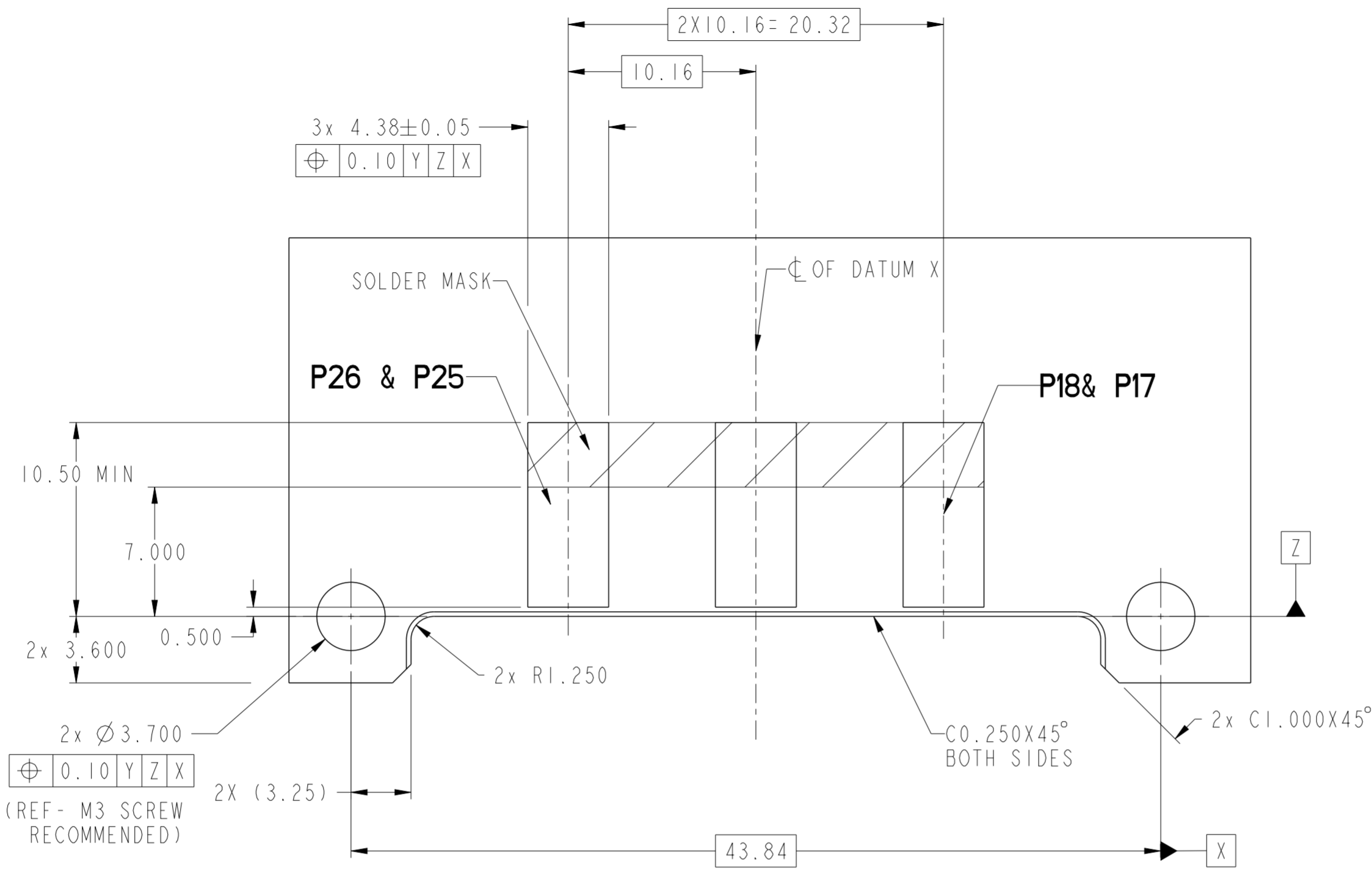
© 2016 AFci

spec ref	-	dr	Eric Jiang	2013/03/26	projection	MM	size	A2	scale	3:1	
tolerance std	ASME Y14.5	eng	Sunny2 Liu	2016/05/18			ecn no	ELX-DG-24036-1	rel level	Released	
TOLERANCES UNLESS OTHERWISE SPECIFIED		chr	Terris Liu	2016/05/20			product family	CARD EDGE		rel level	Released
surface	ASME Y14.5	appr	Pei-Ming Zheng	2016/05/24	<b>Amphenol FCI</b>		title	STRADDLE MOUNT REC 28P		rev	B
							cat. no.	-	Product - Customer Drw	sheet 1 of 4	

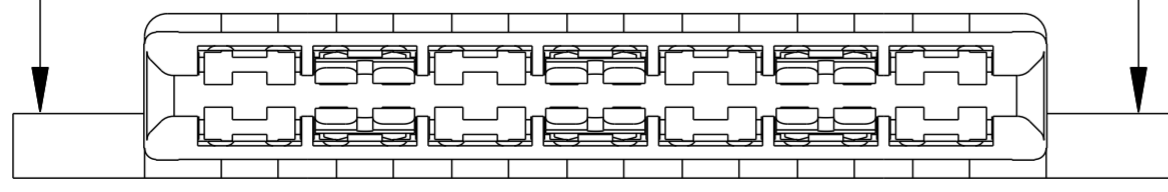
PDS: Rev :B

STATUS:Released

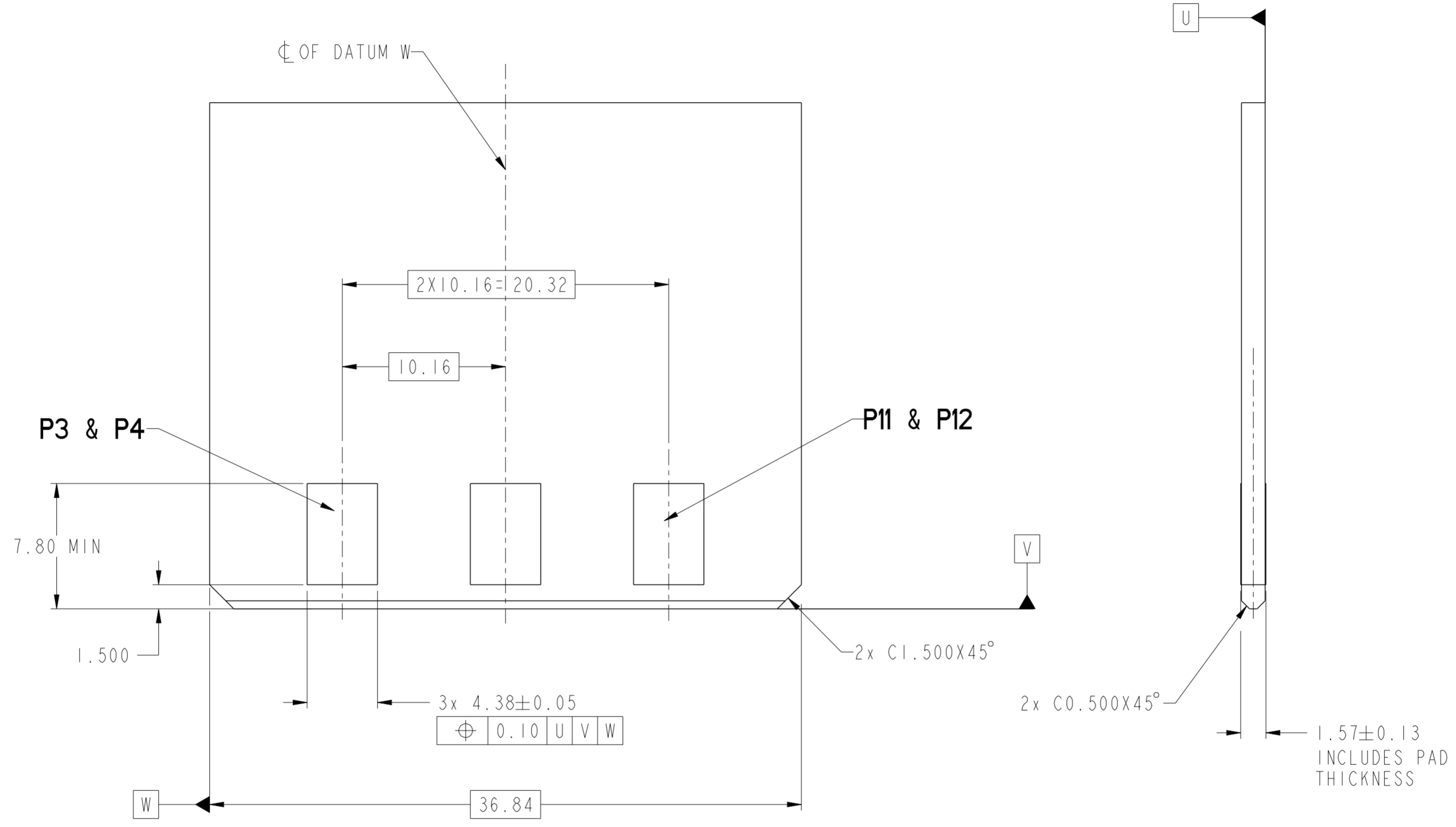
Printed: May 24, 2016



**RECOMMENDED PCB LAYOUT AS VIEWED**



spec ref	-	dr	Eric Jiang	2013/03/26	projection	MM	size	A2	scale	3:1	
tolerance std	ASME Y14.5	eng	Sunny2 Liu	2016/05/18			ecn no	ELX-DG-24036-1			
TOLERANCES UNLESS OTHERWISE SPECIFIED		chr	Terris Liu	2016/05/20			rel level	Released			
surface	ASME Y14.5	appr	Pei-Ming Zheng	2016/05/24			product family	CARD EDGE			
linear	0.X ±0.5 0.XX ±0.3 0.XXX ±0.10			title STRADDLE MOUNT REC 28P HIGH POWER CARD EDGE		dwg no 10124027	rev B				
angular	0° ±2°	cat. no.		-		Product - Customer Drw		sheet 2 of 4			



**RECOMMENDED MATING BOARD  
FOOTPRINT**

Amphenol  
FCi

© 2016 AFci

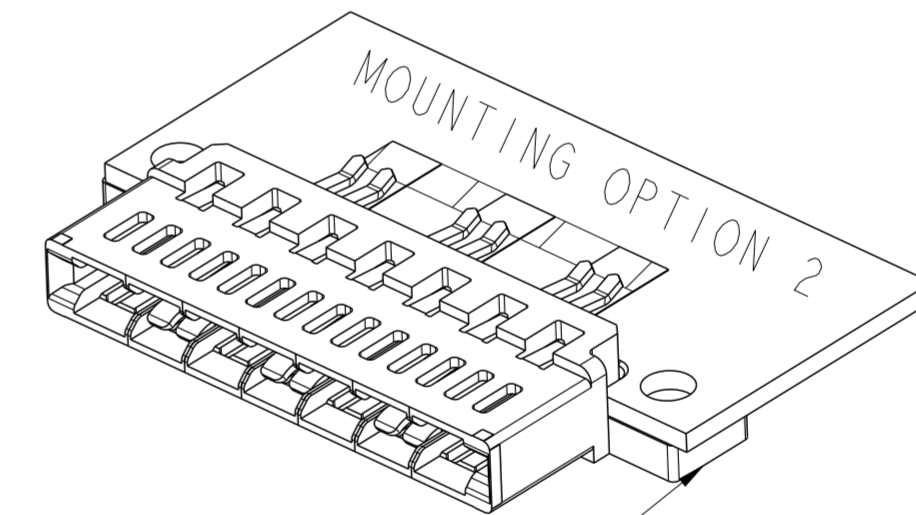
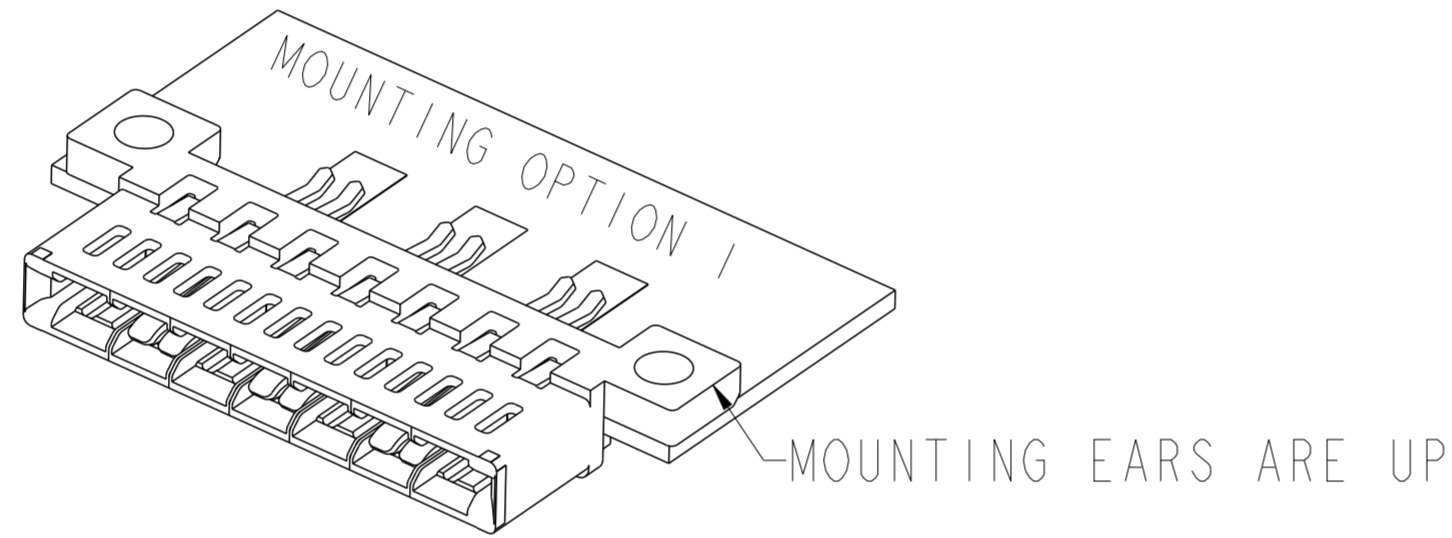
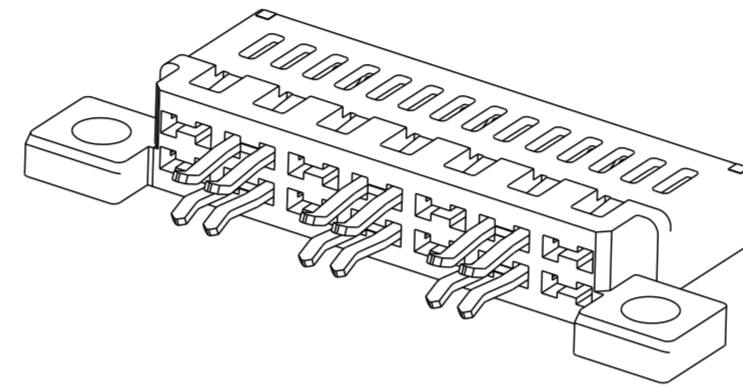
spec ref	-	dr	Eric Jiang	2013/03/26	projection	MM	size	A2	scale	1:1									
tolerance std	-	eng	Sunny2 Liu	2016/05/18			ecn no	ELX-DG-24036-1	rel level	Released									
ASME Y14.5	TOLERANCES UNLESS OTHERWISE SPECIFIED	chr	Terris Liu	2016/05/20															
surface	<table border="1"> <tr> <td>linear</td> <td>0.X</td> <td>±0.5</td> </tr> <tr> <td></td> <td>0.XX</td> <td>±0.3</td> </tr> <tr> <td></td> <td>0.XXX</td> <td>±0.10</td> </tr> </table>	linear	0.X	±0.5		0.XX	±0.3		0.XXX	±0.10	appr	Pai-Ming Zheng	2016/05/24	product family	-	cat. no.	-	Product - Customer Drw	sheet 3 of 4
linear	0.X	±0.5																	
	0.XX	±0.3																	
	0.XXX	±0.10																	
ASME Y14.5	angular	0°	±2°			title STRADDLE MOUNT REC 28P HIGH POWER CARD EDGE	dwg no 10124027	rev B											

PDS: Rev :B

STATUS:Released

Printed: May 24, 2016

PART NUMBER 10124027-001LF



NOTES:

1. CONNECTOR MATERIALS:  
 HOUSING: HIGH TEMPERATURE THERMAL PLASTIC, BLACK  
 UL 94V-0 COMPLIANT  
 CONTACTS: HIGH PERFORMANCE COPPER ALLOY.
2. CONTACT FINISH REF. GS-12-604 SECTION 5.2.
3. PRODUCT SPECIFICATION: GS-12-604.
4. APPLICATION SPECIFICATION: GS-20-128.
5. PRODUCT MARKING ON HOUSING IN AREA SHOWN MEETS AFCI SPECIFICATION: GS-24-007.
6. PACKAGING MEETS FCI SPECIFICATION GS-14-937.
7. HOUSING COMPONENT WILL WITHSTAND EXPOSURE TO 260°C PEAK TEMPERATURE FOR 60 SECONDS IN A CONVECTION, INFRA-RED, OR VAPOR PHASE REFLOW OVEN.
8. A SYMBOL  $\triangle B$  WILL BE NEXT TO ANY DIMENSION, VIEW, OR NOTE WHICH HAS BEEN MODIFIED WITH THE CURRENT DRAWING REVISION.

spec ref	-	dr	Eric Jiang	2013/03/26	projection	MM	size	A2	scale	4:1	
tolerance std	ASME Y14.5	eng	Sunny2 Liu	2016/05/18			ecn no	ELX-DG-24036-1			
TOLERANCES UNLESS OTHERWISE SPECIFIED linear 0.X ±0.5 0.XX ±0.3 0.XXX ±0.10 angular 0° ±2°		chr	Terris Liu	2016/05/20			rel level	Released			
		appr	Pei-Ming Zheng	2016/05/24			product family	CARD EDGE			
surface	ASME Y14.5				title	STRADDLE MOUNT REC 28P		cat. no.	10124027	rev	B
					Product - Customer Drw			sheet 4 of 4			

PDS: Rev :B

STATUS:Released

Printed: May 24, 2016

Amphenol FCI

© 2016 AFCI