

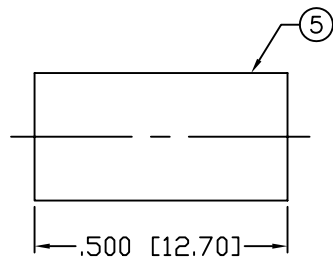
THIS DRAWING CONTAINS INFORMATION PROPRIETARY TO RF INDUSTRIES,
 ANY UNAUTHORIZED USE OF THIS DRAWING IS EXPRESSLY PROHIBITED
 WITHOUT WRITTEN PERMISSION FROM RF INDUSTRIES.
 ANY VIOLATION IS PUNISHABLE UNDER U.S. COPYRIGHT LAWS.

ALL DIMENSIONS ARE REFERENCE ONLY

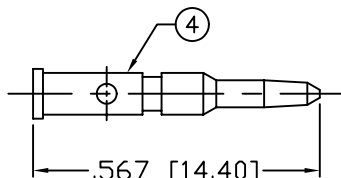
PART NO.

RP-1216-C2

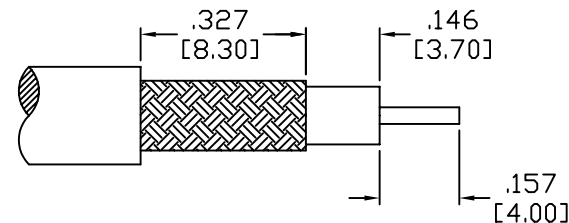
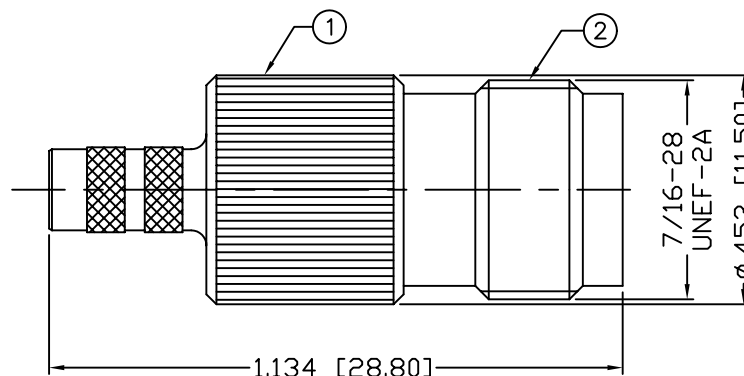
REV	DESCRIPTION	DWN	DATE	APPROVED
-	ENGINEERING RELEASE	CZS	12/1/05	JDMc



RECOMMENDED CRIMP DIE: .213"



RECOMMENDED CRIMP DIE: .068"



RECOMMENDED STRIPPING DIM'S

SPECIFICATIONS:

IMPEDANCE: 50 Ohms
 FREQUENCY RANGE: 0-7 GHz
 WORKING VOLTAGE: 500 V rms
 TEMPERATURE RANGE: -65°C TO +165°C
 INSULATION RESISTANCE: 5k M ohms min.
 FOR TIMES LMR-200, ALPHA 9848 & MSI-22

1	BODY	1	BRASS	NICKEL, 100μ"	008974	
2	BODY	1	BRASS	NICKEL, 100μ"		
3	INSULATOR	1	PTFE	---		
4	PIN	1	BRASS	GOLD, 3μ"		
5	FERRULE	1	COPPER	NICKEL, 100μ"		
6						
7						
8						
9						
10					DRAWN	
11					C. ZUNIGA	
12					CHECKED	
13						
14					ORJ DRAWN	
					C. ZUNIGA	
#	DESCRIPTION	QTY	MATERIAL	FINISH	APPROVALS	DATE

UNLESS OTHERWISE SPECIFIED:

DIMENSIONS ARE IN INCHES AND [MILLIMETERS]
 UNLESS OTHERWISE NOTED TOLERANCES ARE:

DECIMALS	DIAMETER
----------	----------

RF connectors
 DIVISION OF RF INDUSTRIES, LTD.

7610 MIRAMAR RD
 SAN DIEGO, CA 92126
 (858) 549-6340
 (858) 549-6345 FAX

TNC JACK, CRIMP
 REVERSE POLARITY

SIZE	CABLE GROUP	DWG NO.	REV
A	C2	RP-1216-C2	-

SCALE: NTS CAD FILE OUTLINE SHEET 1 OF 1