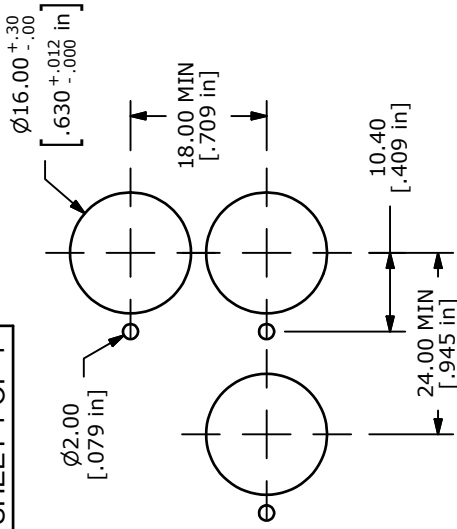
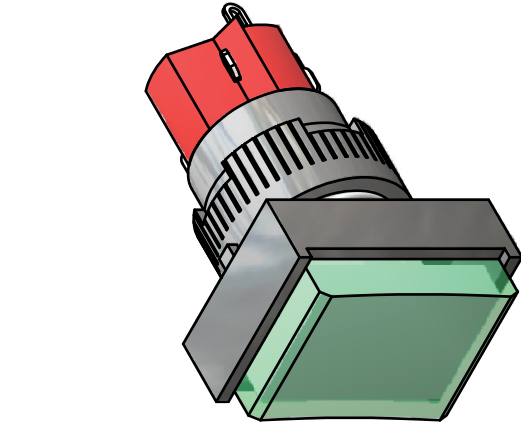
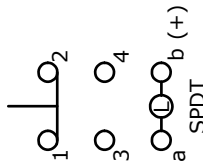
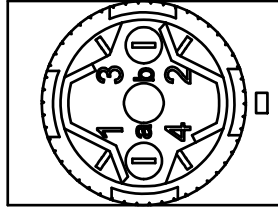
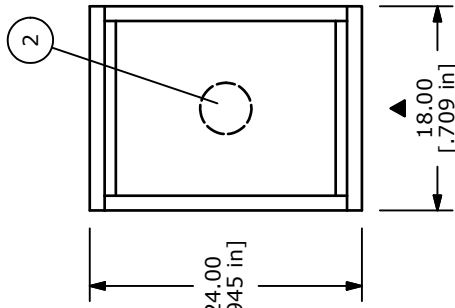
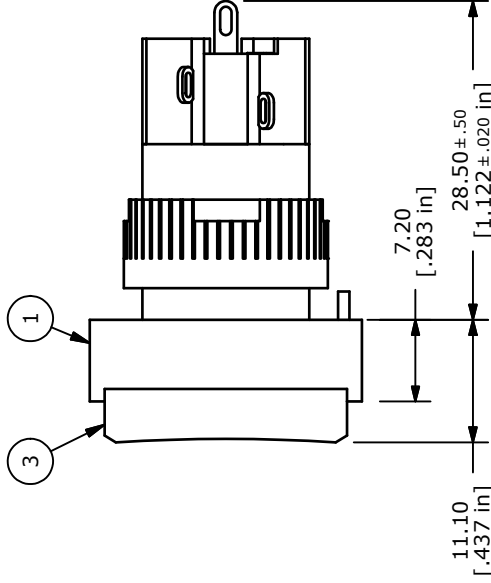


PARTS LIST

ITEM	QTY	PART NUMBER	DESCRIPTION
1	1	F040007	D16OAT11
2	1	F0504019	5000419 12VDC GREEN LED
3	1	F050202	5000202 TRANSPARENT GREEN LENS



PANEL MOUNTING



CONTACT CONFIGURATION

NOTE:

1. ALL DIMENSIONS IN MM [INCH]
2. GENERAL TOLERANCE: X.X=±0.4  
X.XX=±0.25
3. TERMINAL NUMBERS FOR REF ONLY
4. RATING: 5A @ 250 VAC  
6A @ 24 VDC
5. ELECTRIC LIFE: 50,000 MAKE-AND-BREAK CYCLES  
AT FULL LOAD.
6. INSULATION RESISTANCE: 1,000 MEGA-OHM MIN.
7. PANEL THICKNESS: 0.5 - 5.0 mm
8. SEAL RATING: IP40
9. OPERATING TEMP.: -20°C to 55°C
- ▲ 10. LAMP VOLTAGE: 12V DC GREEN LED
- ▲ 11. ▲ DENOTES CRITICAL PARAMETER.
12. 2002/05/EC (ROHS) COMPLIANT.
13. PACKAGE: BOX/20 PIECES PER BOX



TITLE D16OAT11JGRNGR N

A	20008	RELEASED FOR PRODUCTION	06/16/11	BMA
REV	PCR NO	DESCRIPTION	DATE	BY

THE INFORMATION CONTAINED IN THIS DOCUMENT IS PROPRIETARY TO E-SWITCH AND IS NOT TO BE COPIED OR TRANSFERRED

SCALE	1.5:1	DATE	6/16/2011	DR	BMA	DWG	XF0842P	REV	A
-------	-------	------	-----------	----	-----	-----	---------	-----	---