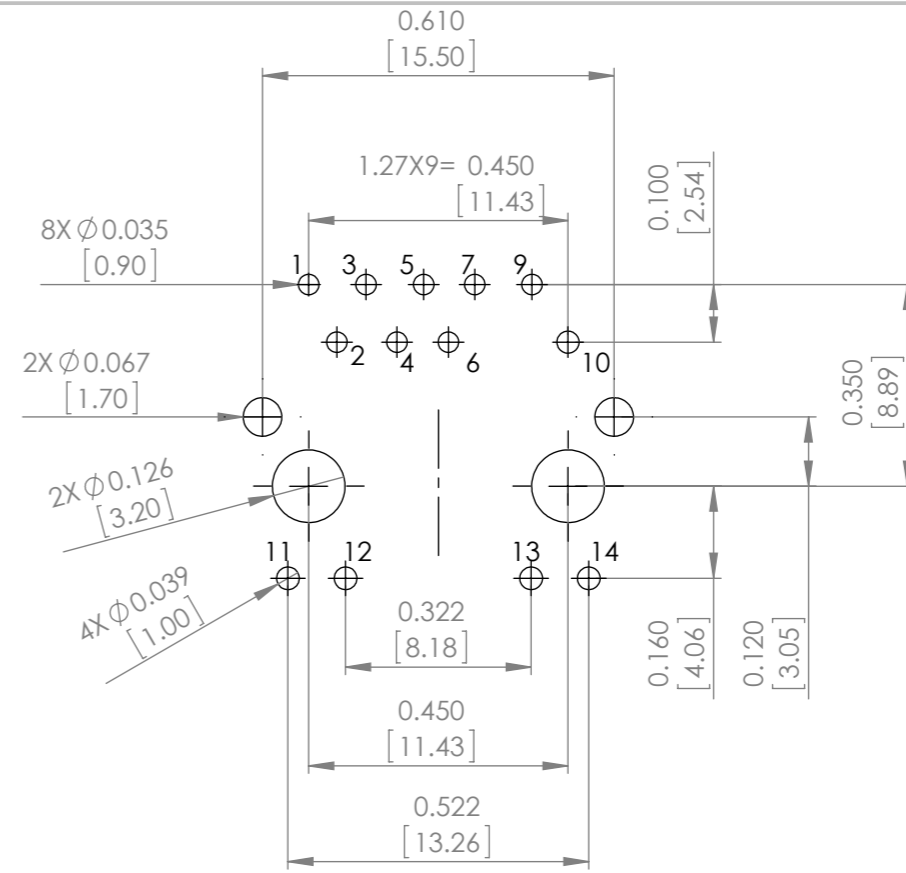
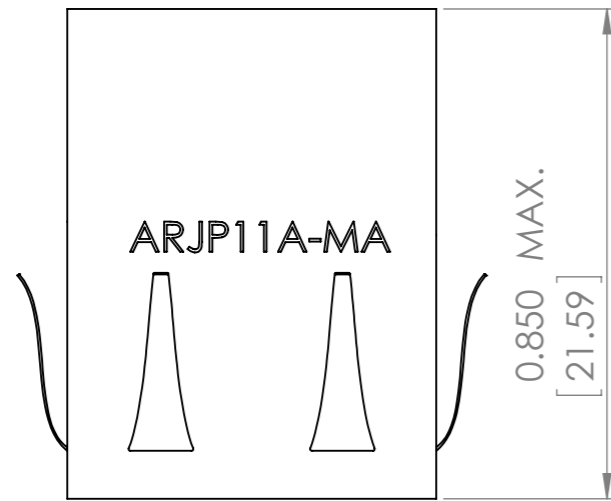
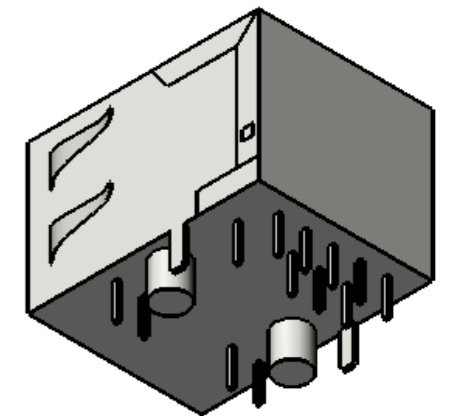
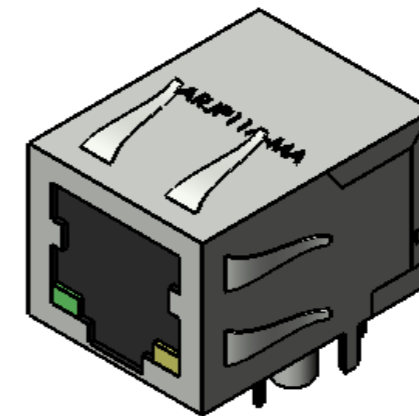
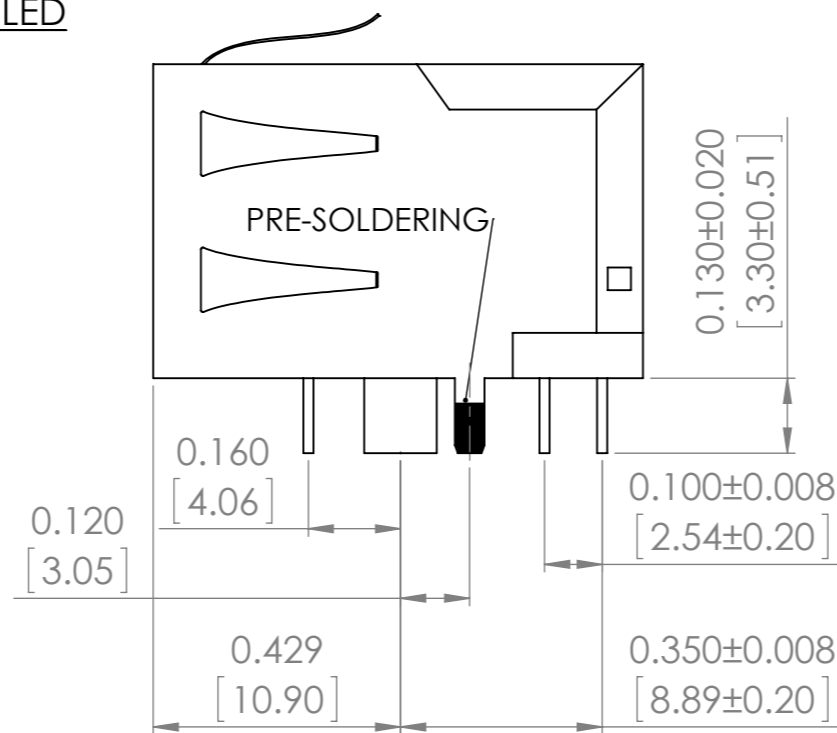
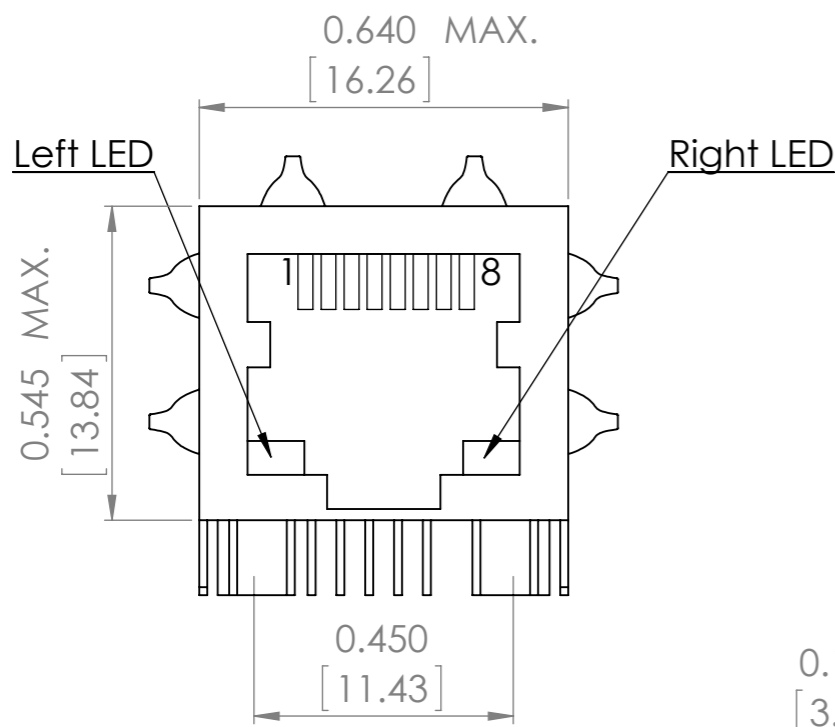



MA



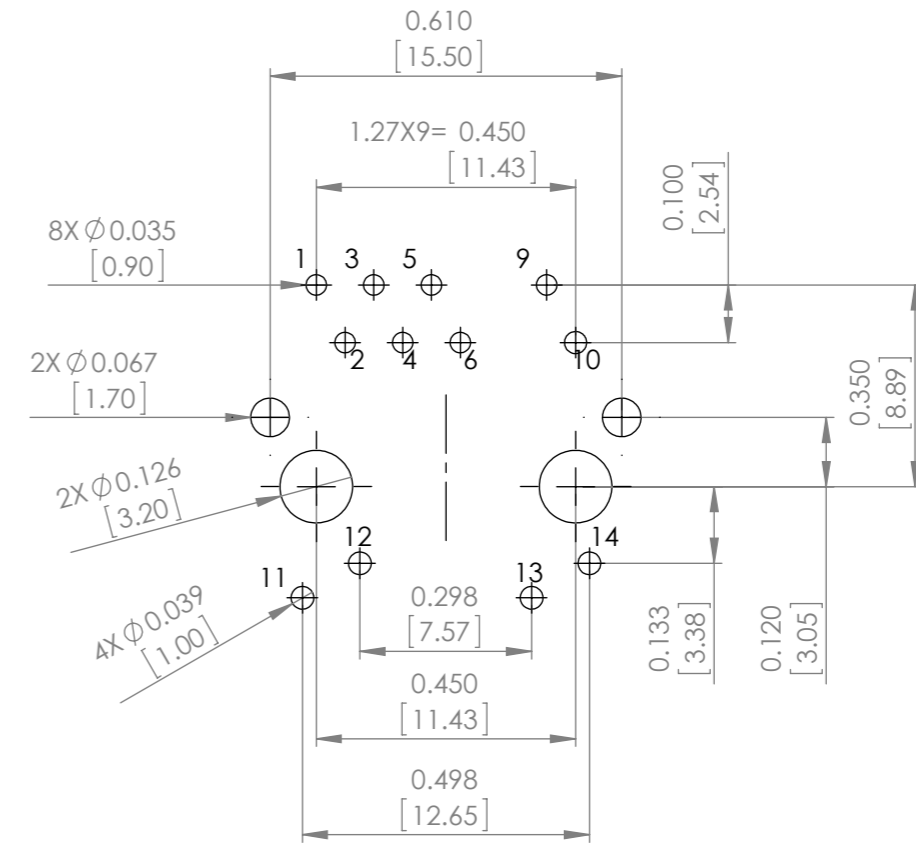
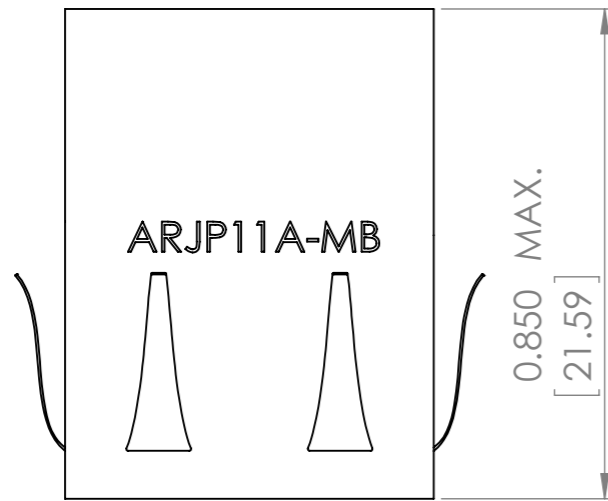
**PC BOARD LAYOUT
COMPONENT SIDE SHOWN**



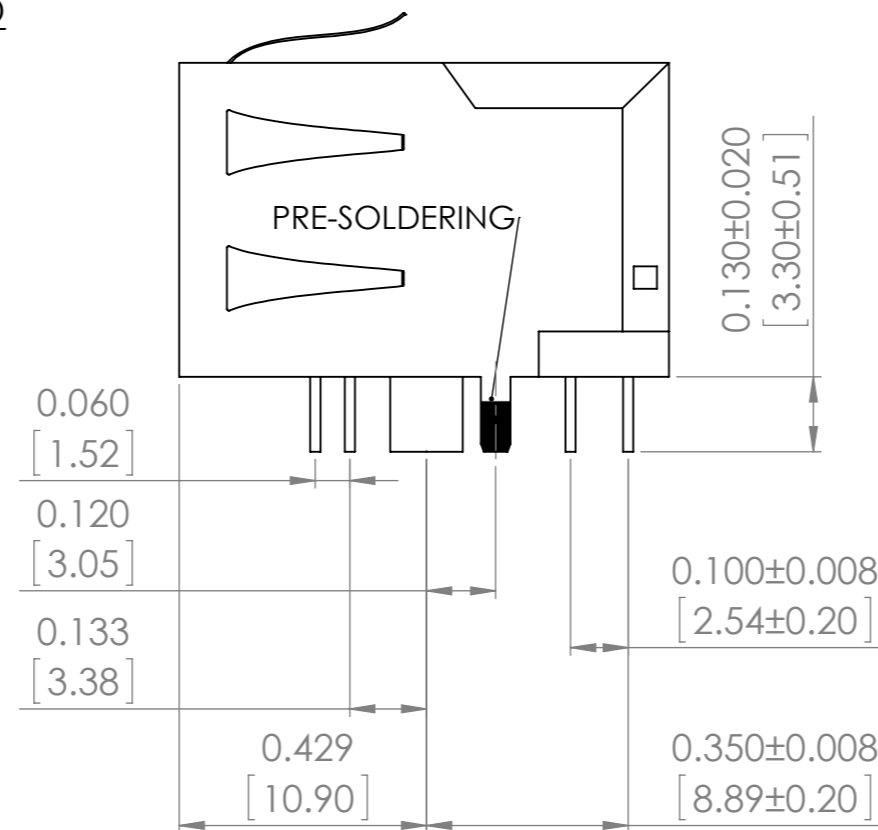
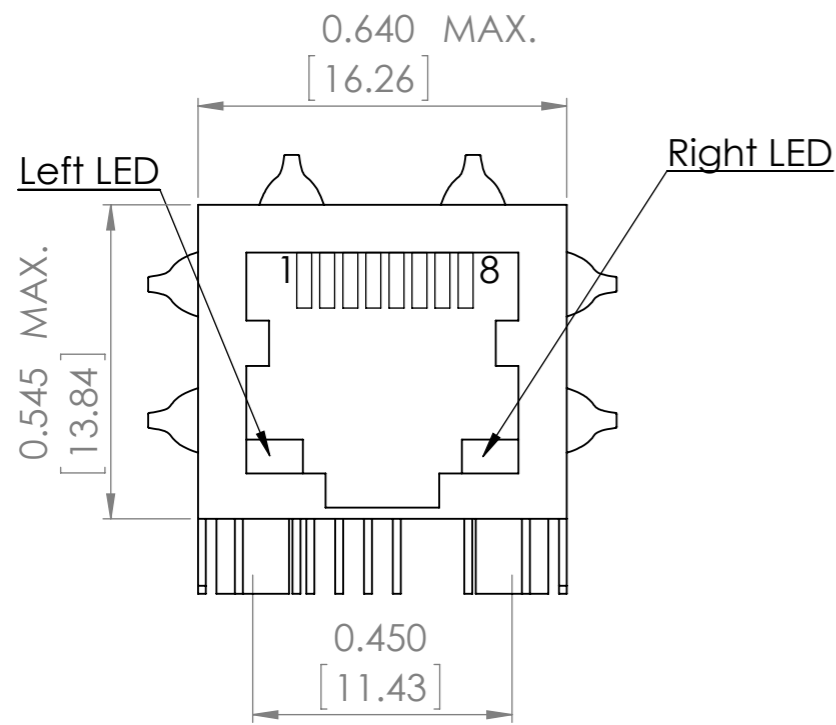
**TOP PACKAGE MARKING IS
FOR ILLUSTRATION PURPOSES ONLY**

DO NOT SCALE DRAWING		REVISION -	
 The Power of Linking Together			
Apracon LLC, 2 Faraday, Suite#B Irvine, Ca. 92618			
TITLE:		RJ45	
DWG NO.		ARJP11A-MA	A3
SCALE:3:1		SHEET 1 OF 1	

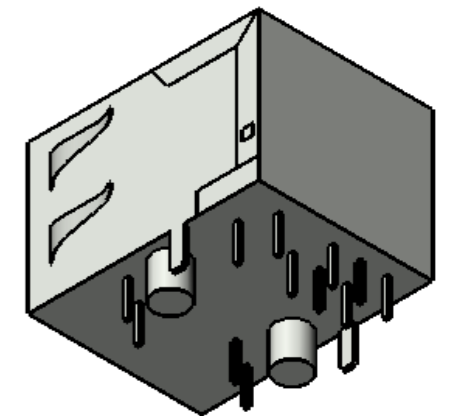
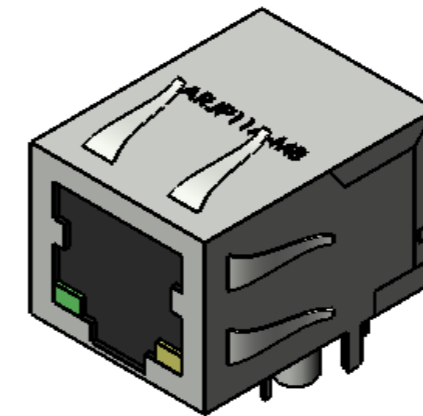
MB




**PC BOARD LAYOUT
COMPONENT SIDE SHOWN**



**TOP PACKAGE MARKING IS
FOR ILLUSTRATION PURPOSES ONLY**



DO NOT SCALE DRAWING		REVISION	-
 ABRACON LLC <small>The Power of Linking Together</small>			
Apracon LLC, 2 Faraday, Suite#B Irvine, Ca. 92618			
TITLE:		RJ45	
DWG NO.		ARJP11A-MB	A3
SCALE:3:1		SHEET 1 OF 1	