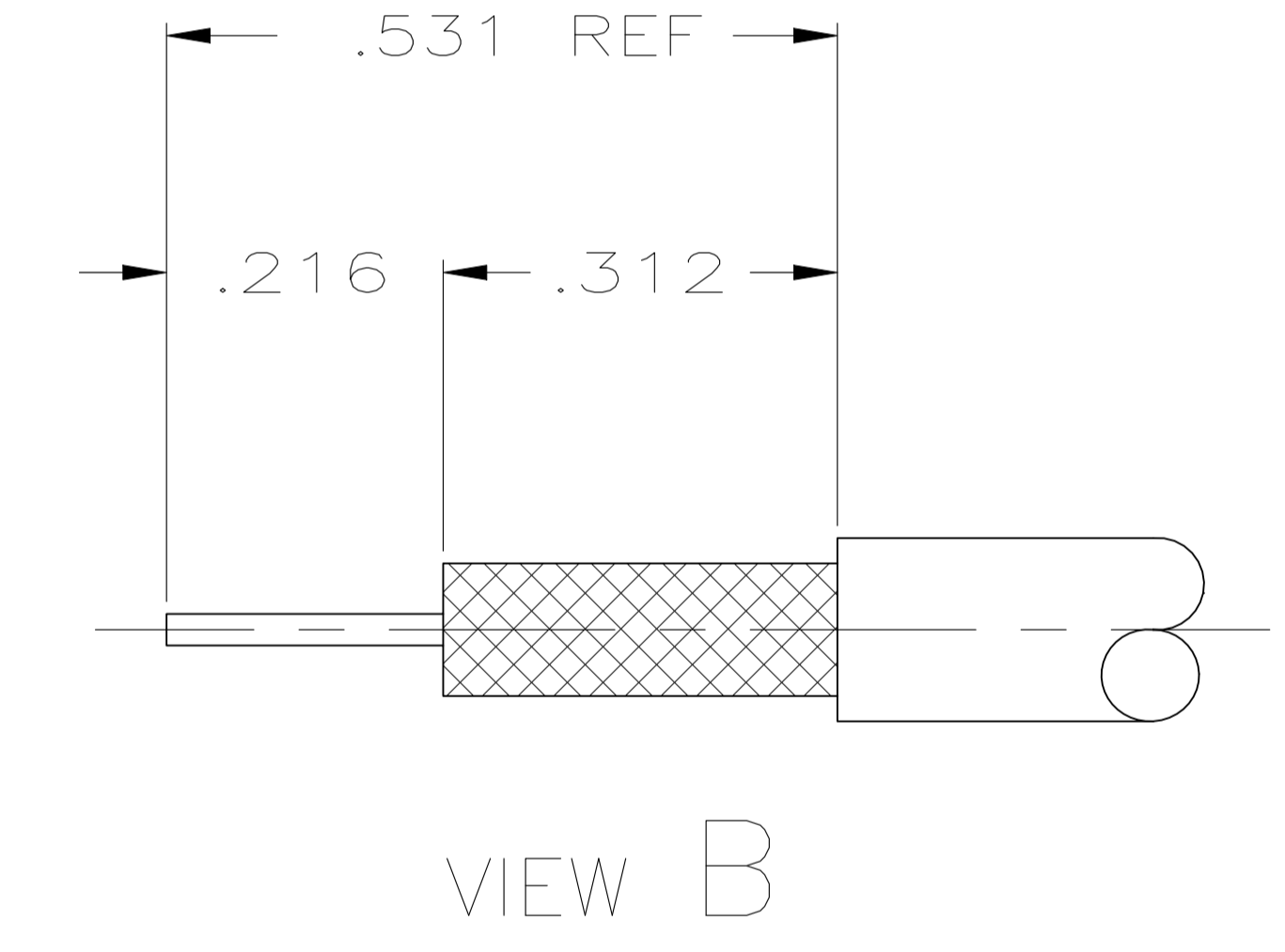
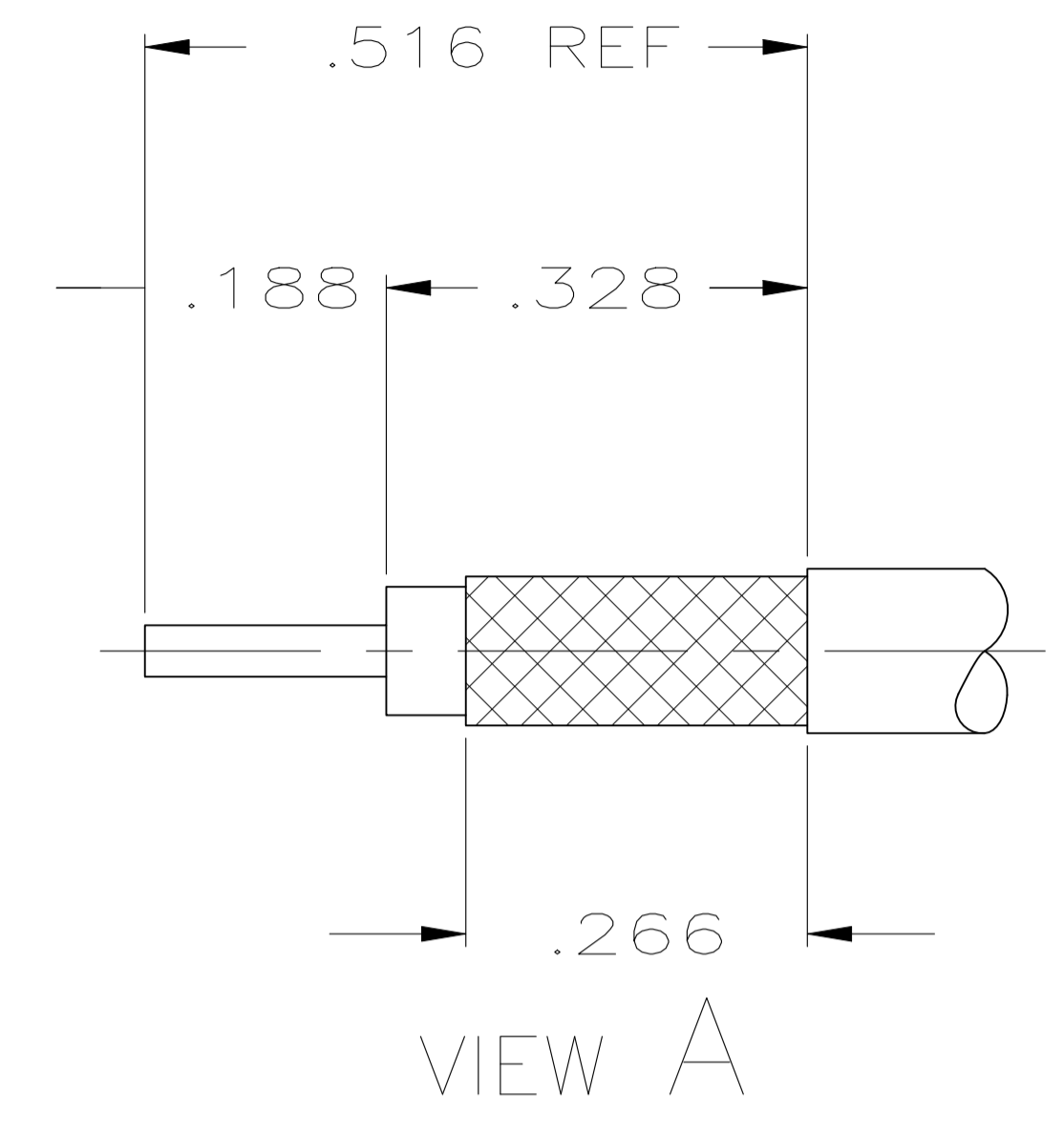
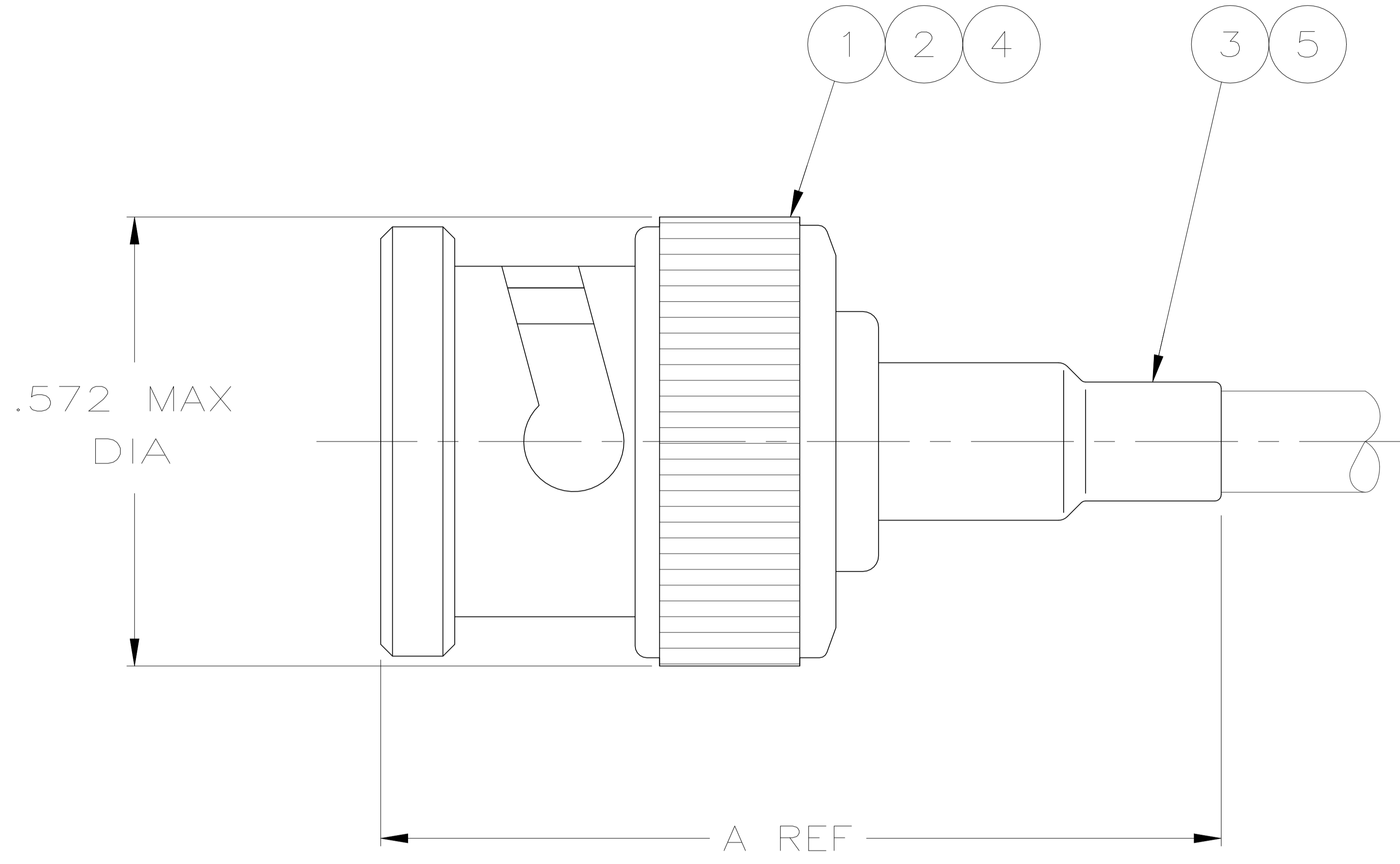


UNIT : inches

REVISIONS					
P	LTR	DESCRIPTION	DATE	DN	APVD
D4		Update tooling for -5 and 8-2	02JUN2023	ED	WH



RECOMMENDED STRIP LENGTH

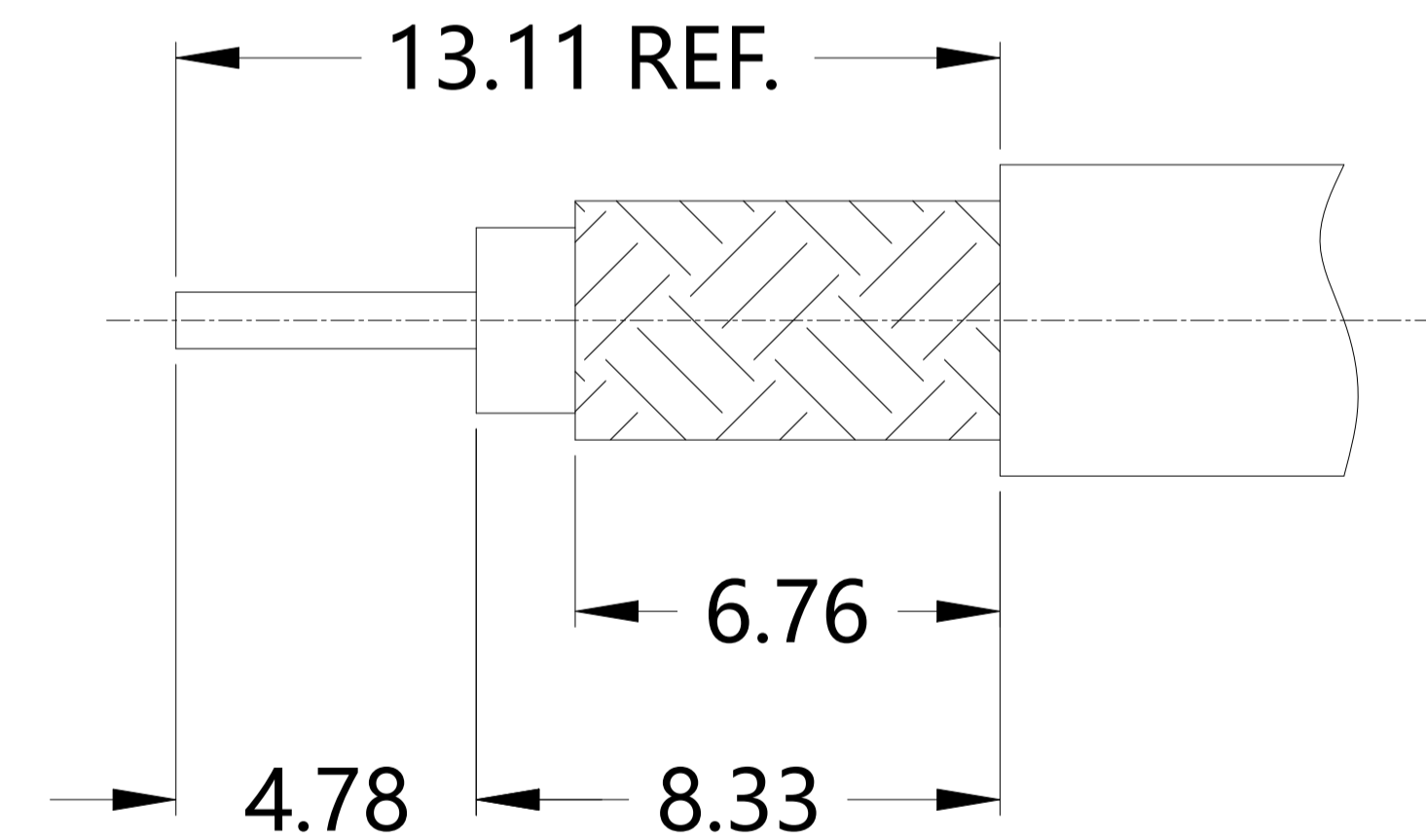
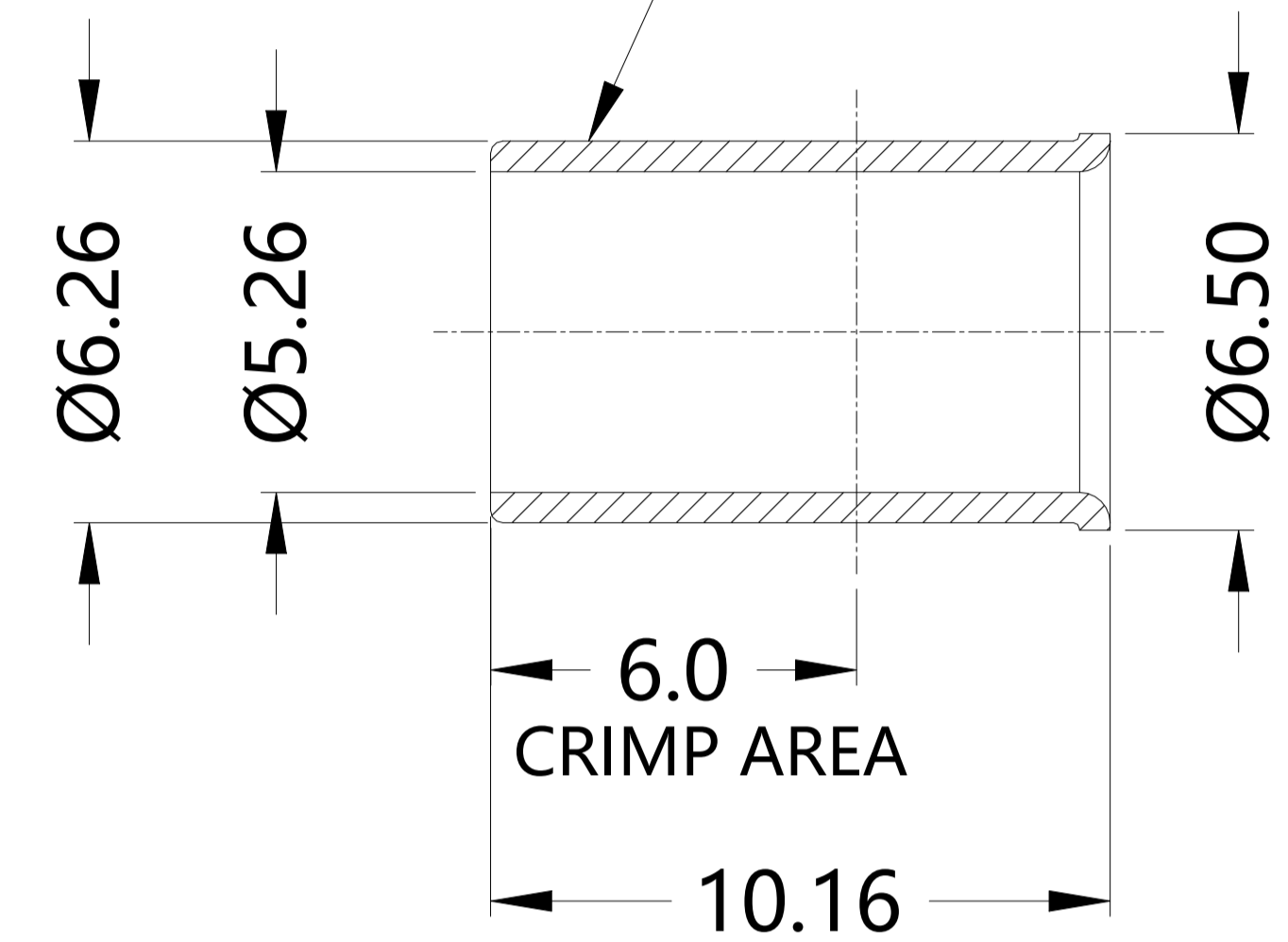
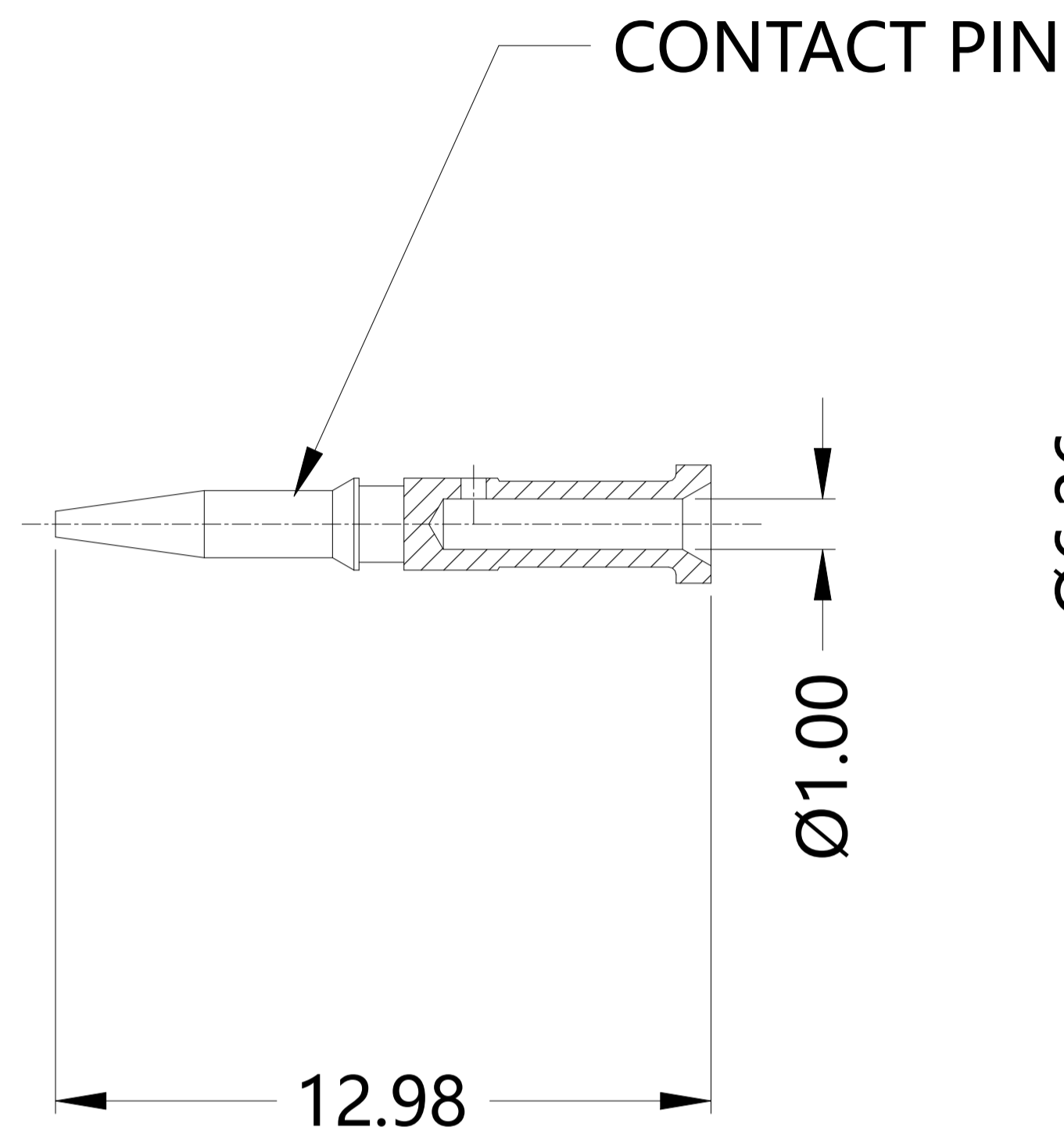
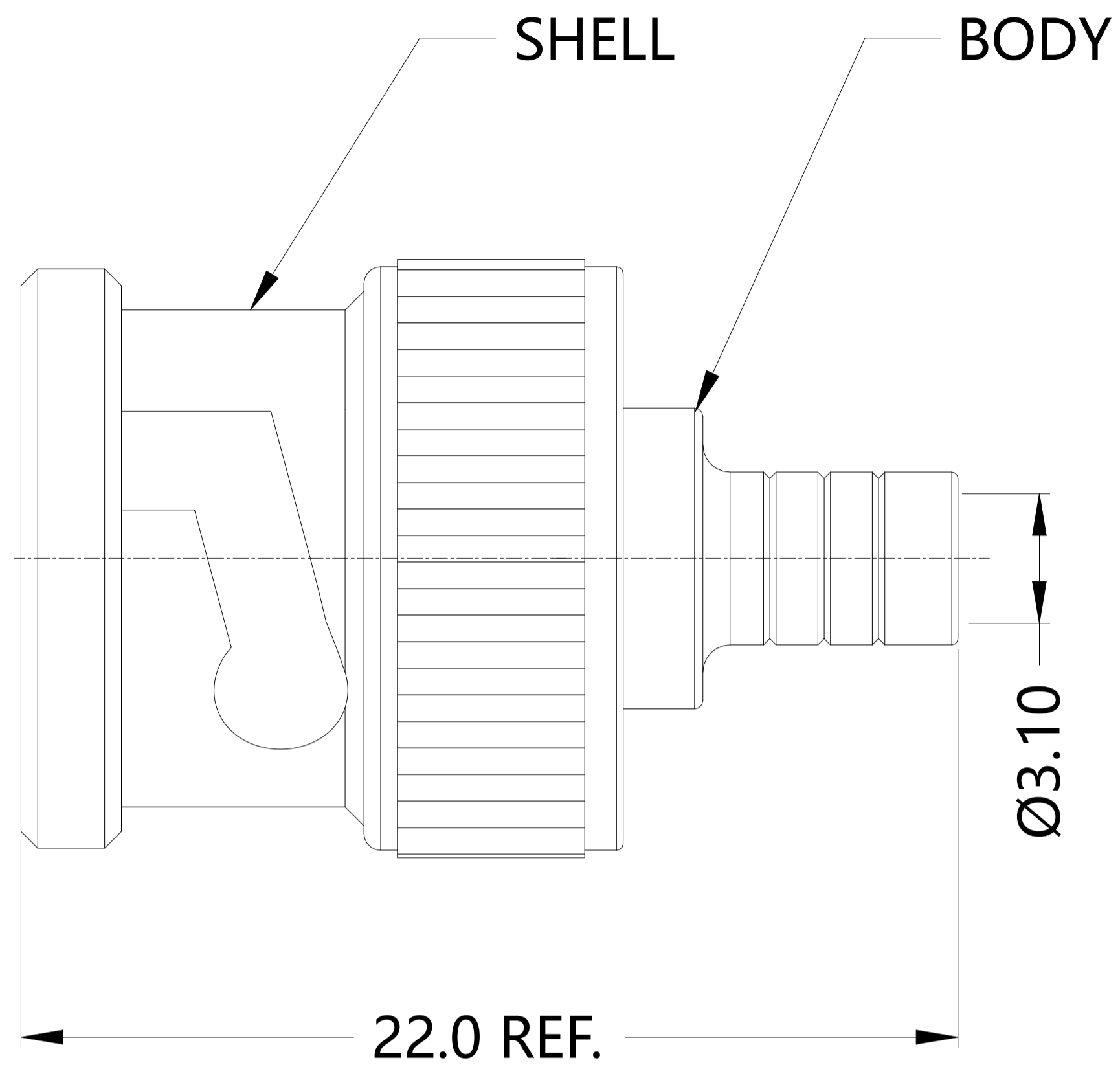
- ① CABLE USED WITHOUT SPACER
- ② CABLE USED WITH SPACER
- ③. SEE INSTRUCTION SHEET 408-2798
- ④. PARTS PACKAGED UNASSEMBLED
- ⑤ USE WITH HAND TOOL FRAME 354940-1
- ⑥ USE WITH HANDTOOL 69710-1, OR PNEUMATIC TOOL 69365 & 69365-3
- ⑦ OBSOLETE PARTS: OBSOLETE CIS STREAMLINING PER D.RENAUD/D.SINISI

RG-174/U & 188/U	220217-3	220210-1	220009-5	A	1.090	227194-1	-	9-328666-4	227322-8	9-227074-1	8-5227079-3
RG-174/U & 188/U	220217-3	220210-1	220009-5	A	1.090	227194-1	-	9-328666-0	227322-8	9-227074-1	1-5227079-6
① RG-59/U,59A/U & 59B/U	220217-2	220189-2	220187-2	A	1.090	-	227423-1	9-50428-0	9-221607-6	9-413530-0	1-5227079-1
② RG-62/U,62A/U & 62B/U				B							
① RG-59/U,59A/U & 59B/U	220217-2	220189-2	220187-2	A	1.090	-	227423-1	9-50428-0	221607-6	9-227074-2	5227079-7
② RG-62/U,62A/U & 62B/U				B							
RG-55/U,55A/U,55B/U, & 223/U	220217-1	220189-1	220187-1	A	1.280	-	-	9-225382-0	221607-5	9-227074-0	5227079-6
CABLE SIZE	DIE SET ⑥	DIE SET ⑤	CRIMP TOOL	VIEW	A	⑤ TUBING QTY=1	④ SPACER QTY=1	③ FERRULE QTY=1	② CONTACT QTY=1	① PLUG ASSY QTY=1	PART NUMBER

THIS DRAWING IS A CONTROLLED DOCUMENT.

DIMENSIONS: INCHES	TOLERANCES UNLESS OTHERWISE SPECIFIED:	DIN J. HAVENER 29MAR2005	TE Connectivity
0. PLC ± .01 1. PLC ± .01 2. PLC ± .01 3. PLC ± .016 4. PLC ± .01 ANGLES ± .1	0. PLC ± .01 1. PLC ± .01 2. PLC ± .01 3. PLC ± .016 4. PLC ± .01 ANGLES ± .1	CHK: J. HAVENER 29MAR2005 APVD: J. LIPPERT 29MAR2005 NAME:	
MATERIAL	FINISH	SIZE: A1 CAGE CODE: 00779 DRAWING NO: 5227079 WEIGHT: 0.000000 CUSTOMER DRAWING	PRODUCT SPEC: 108-12044 APPLICATION SPEC: PLUG, COMMERCIAL, BNC SCALE: 4:1 SHEET 1 of 3 REV D4

UNIT : mm



RECOMMENDED CABLE STRIPPING DIM'S

NOTES

- 1 PACK IN ACCORDANCE WITH TE SPEC 107-3275;
- 2 ALL DIMENSIONS ARE NOMINAL FOR REFERENCE ONLY UNLESS OTHERWISE STATED;
- 3 ELECTRICAL CHARACTERISTICS :
  - FREQUENCY RANGE : DC-4GHz
  - NOMINAL IMPEDANCE : 50 OHMS
  - INSULATION RESISTANCE : 5000 MOHMS
  - WORKING VOLTAGE : 335 VOLTS MAX
  - DIELECTRIC WITHSTANDING VOLTAGE : 1000 VOLTS MAX
  - V.S.W.R : 1.50 MAX (DC-4GHz)
  - INSERTION LOSS : 0.1 SQRT(F) dB
  - CONTACT RESISTANCE :
    - CENTER CONTACT : 1.5 mOHMS MAX
    - OUTER CONTACT : 1 mOHMS MAX
- 4 ENVIRONMENTAL :
  - OPERATING TEMPERATURE : -40°C TO +125°C
  - THERMAL SHOCK:MIL-STD-202, METH.107, COND.B
  - VIBRATION:MIL-STD-202, METH.204, COND.D
  - SHOCK:MIL-STD-202, METH.213, COND.I
- 5 DURABILITY : 500 CYCLES MIN
- 6 RoHS : COMPLIANT
- 7 FERRULE TO CRIMPED THE HEX. SIZE .205".  
USE WITH HAND TOOL 2087631-1 AND DIE SET 2087632-1.  
CONTACT PIN TO SOLDER.

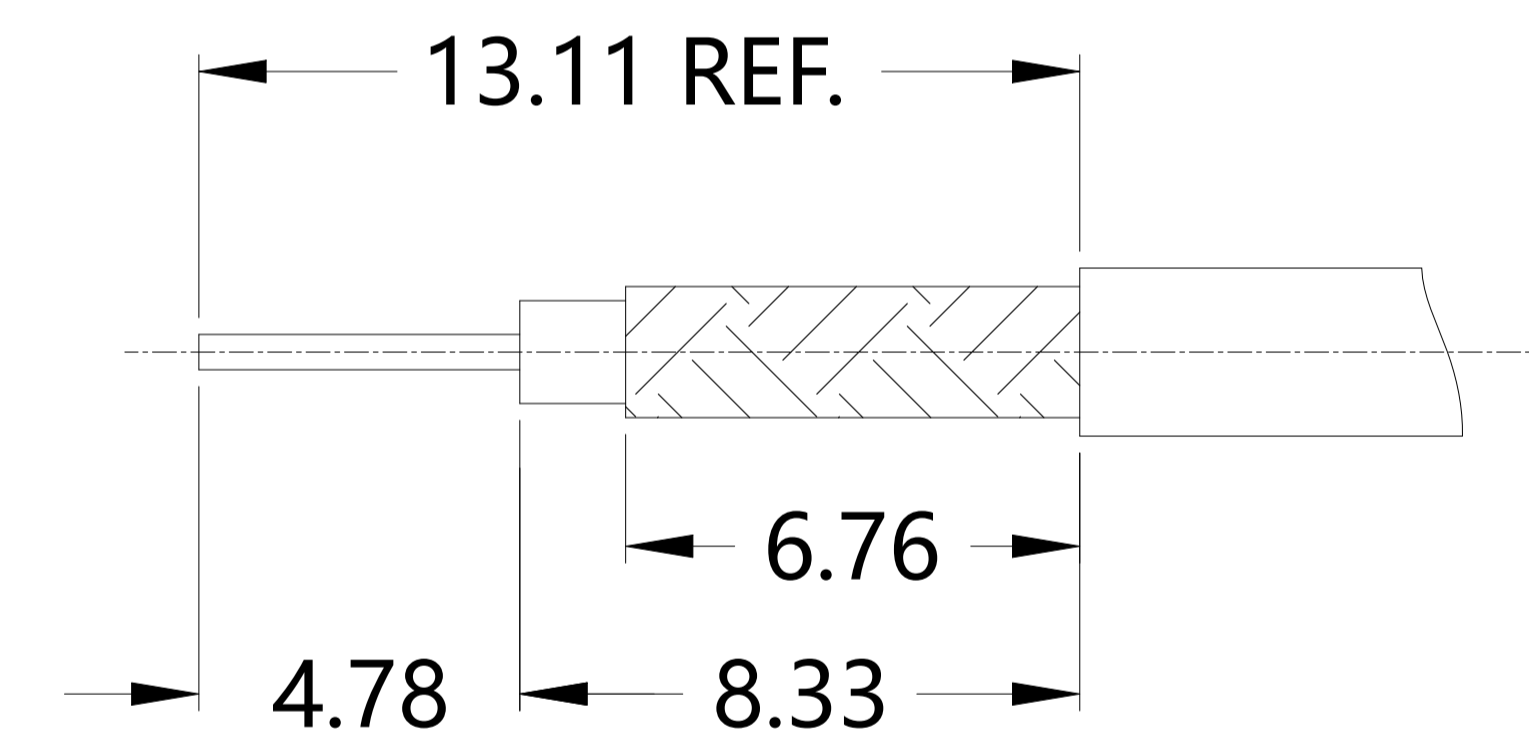
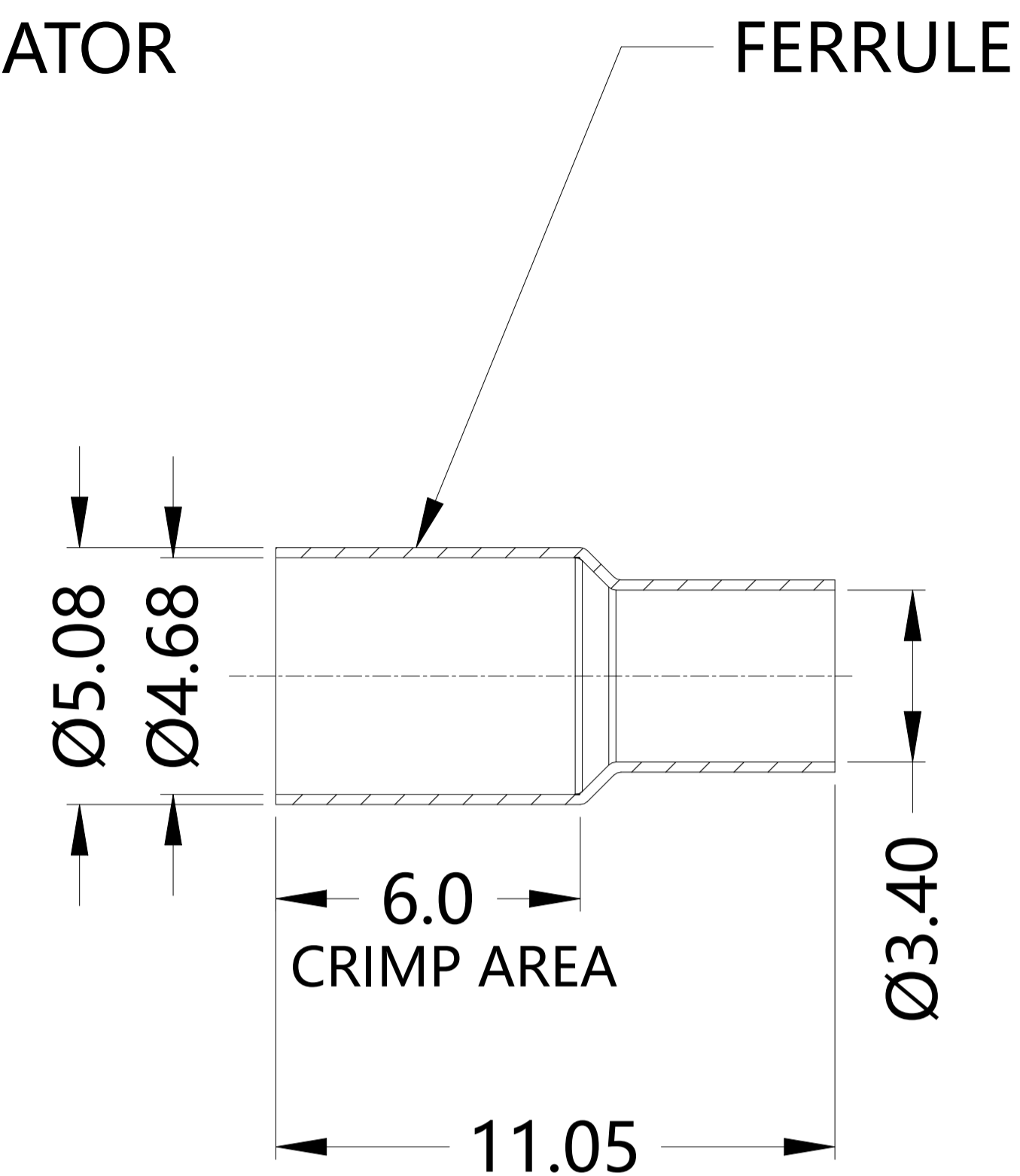
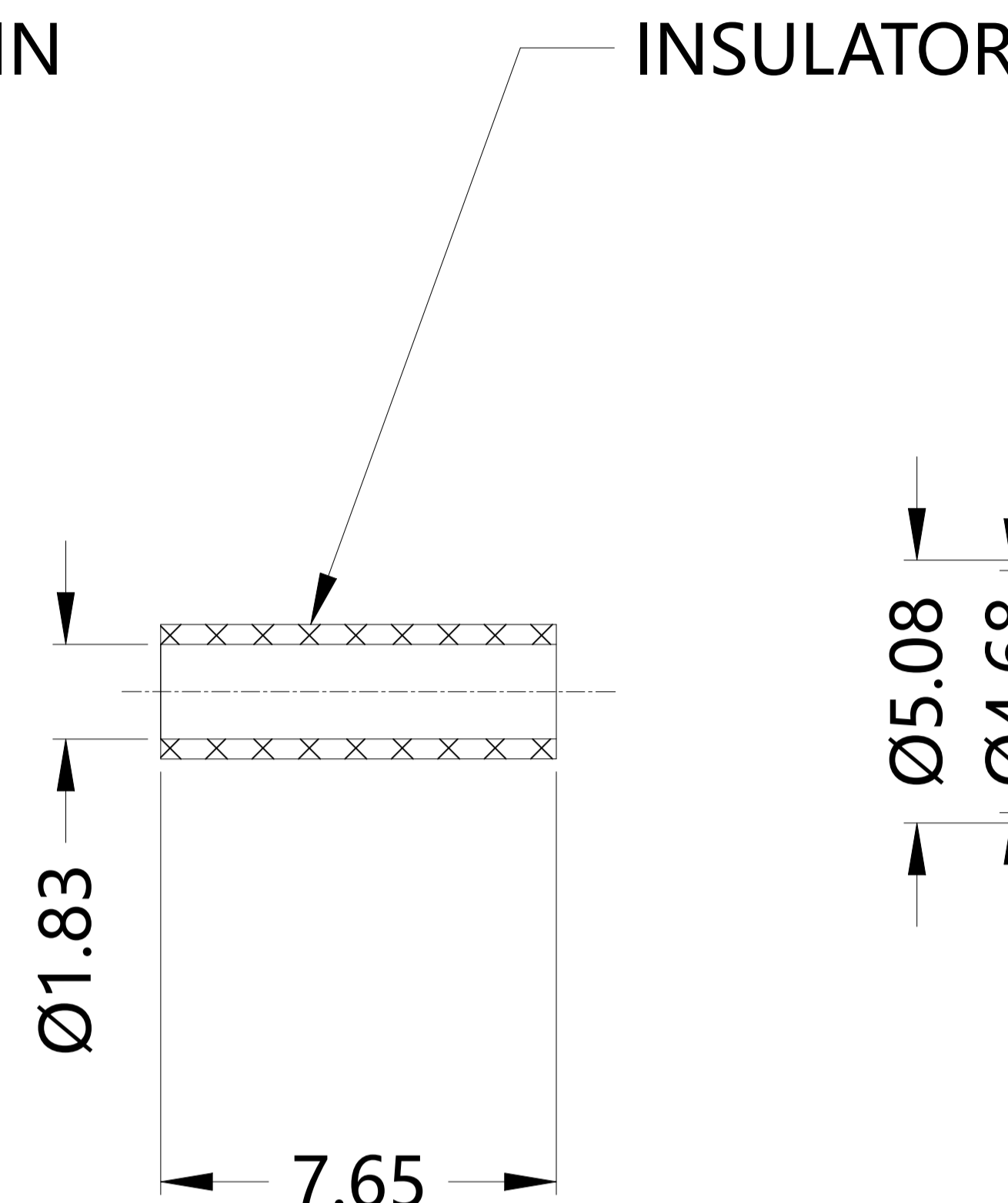
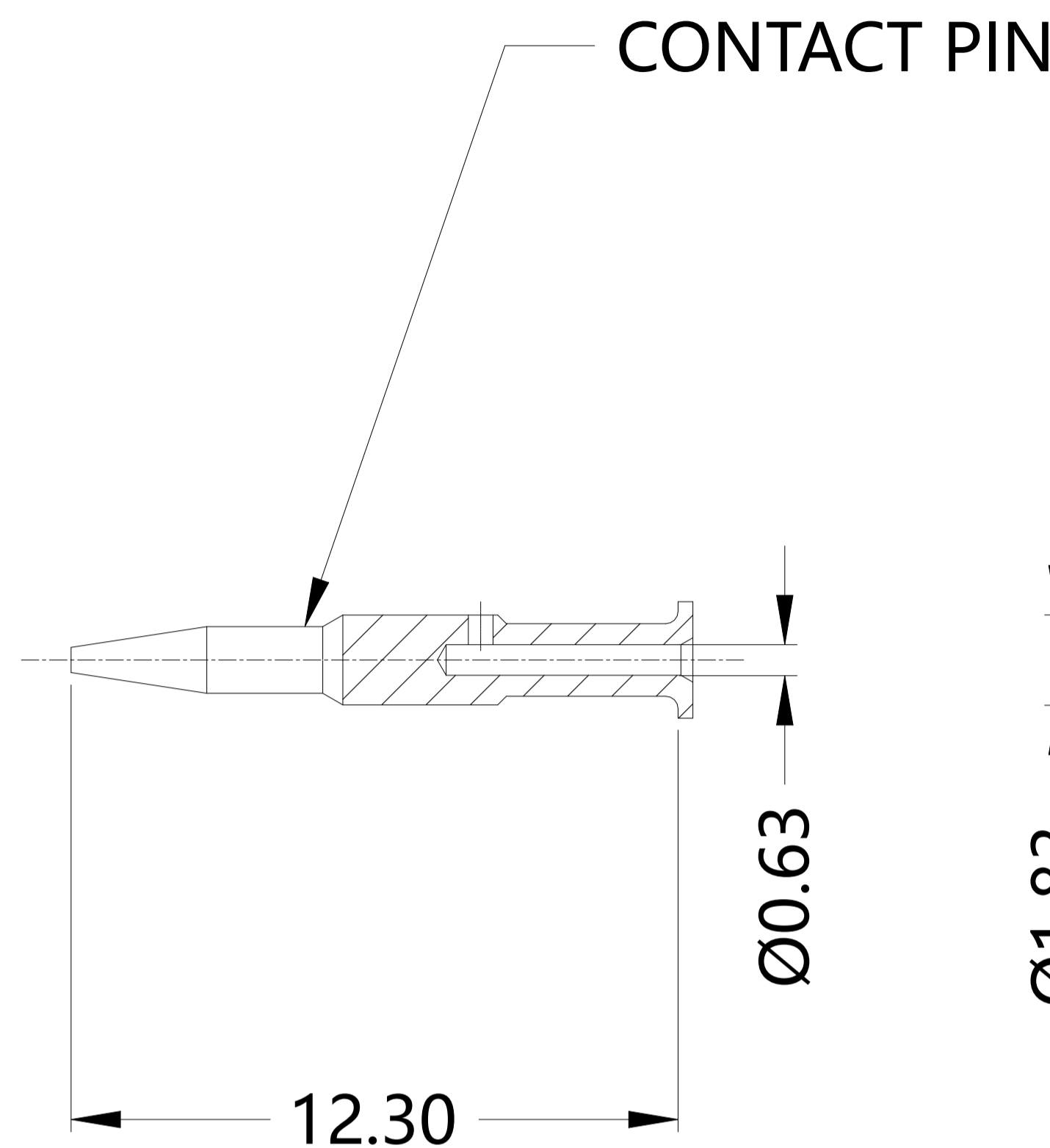
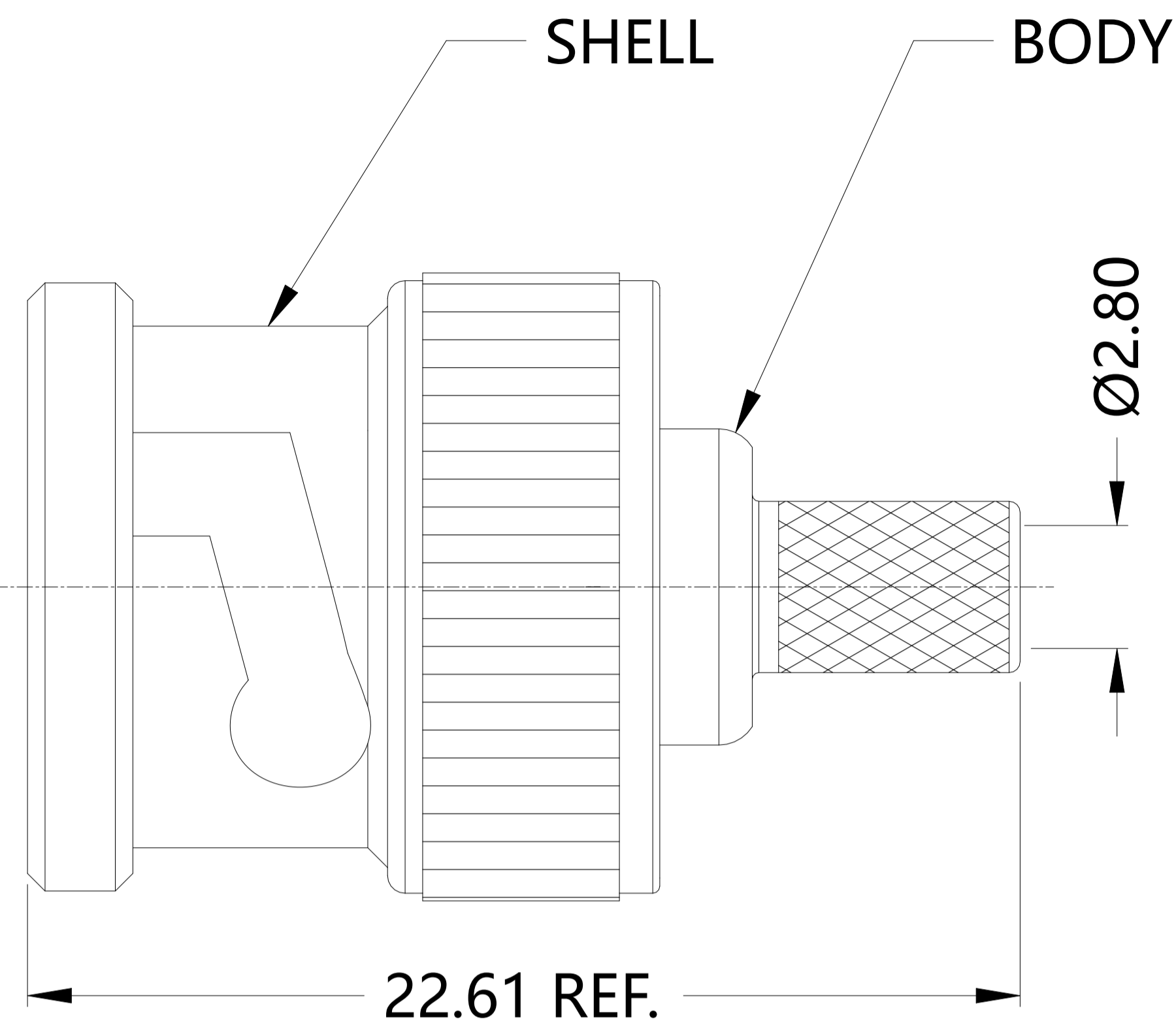
REVISIONS				
P	LTR	DESCRIPTION	DATE	APVD
-		SEE SHEET 1	-	-

QUANTITY PER ASSY	PLATING	MATERIAL	DESCRIPTION	ITEM
1	MATTE TIN 100 u"	BRASS	FERRULE	5
1	/	PTFE	INSULATOR	4
1	GOLD 30 u"/NICKEL /COPPER	BRASS C3604	CONTACT PIN	3
1	NICKEL 50 u"/COPPER	ZINC ALLOY	SHELL	2
1	NICKEL 50 u"/COPPER	BRASS C3604	BODY	1
5227079-5				

THIS DRAWING IS A CONTROLLED DOCUMENT.		DIN J. HAVENER 29MAR2005		TE Connectivity	
DIMENSIONS IN INCHES		C/W J. HAVENER 29MAR2005		NAME	
TOLERANCES UNLESS OTHERWISE SPECIFIED:		APVD J. LIPPERT 29MAR2005		PRODUCT SPEC 108-12044	
0. PLC ± 0.3		APPLICATION SPEC		SIZE CAGE CODE DRAWING NO RESTRICTED TO	
1. PLC ± 0.2		WEIGHT 0.000000		A1 00779 5227079	
2. PLC ± 0.15		CUSTOMER DRAWING		SCALE 4:1 SHEET 2 OF 3 REV D4	
3. PLC ± 0.1					
4. PLC ANGLES ± 5°					

UNIT : mm

REVISIONS					
P	LTR	DESCRIPTION	DATE	DRN	APVD
-	-	SEE SHEET 1	-	-	-



RECOMMENDED CABLE STRIPPING DIM'S

NOTES

- PACK IN ACCORDANCE WITH TE SPEC 107-3275;
- ALL DIMENSIONS ARE NOMINAL FOR REFERENCE ONLY UNLESS OTHERWISE STATED;
- ELECTRICAL CHARACTERISTICS :  
 FREQUENCY RANGE : DC-1GHz  
 NOMINAL IMPEDANCE : 50 OHMS  
 INSULATION RESISTANCE : 5000 MOHMS  
 WORKING VOLTAGE : 335 VOLTS MAX  
 DIELECTRIC WITHSTANDING VOLTAGE : 1000 VOLTS MAX  
 INSERTION LOSS : 0.1 SQRT(F) dB  
 CONTACT RESISTANCE :  
 CENTER CONTACT : 1.5 mOHMS MAX  
 OUTER CONTACT : 1 mOHMS MAX
- ENVIRONMENTAL :  
 OPERATING TEMPERATURE : -40°C TO +125°C  
 THERMAL SHOCK:MIL-STD-202, METH.107, COND.B  
 VIBRATION:MIL-STD-202, METH.204, COND.D  
 SHOCK:MIL-STD-202, METH.213, COND.I
- DURABILITY : 500 CYCLES MIN
- RoHS : COMPLIANT
- FERRULE TO CRIMPED THE HEX. SIZE .177".  
 USE WITH HAND TOOL 2087631-1 AND DIE SET 2087632-2.  
 CONTACT PIN TO SOLDER.

QUANTITY PER ASSY	DESCRIPTION	MATERIAL	PLATING	ITEM
1	FERRULE	BRASS		5
1	INSULATOR	PTFE		4
1	CONTACT PIN	BRASS C3604	GOLD 30 u"/NICKEL /COPPER	3
1	SHELL	ZINC ALLOY	NICKEL 50 u"/COPPER	2
1	BODY	BRASS C3604	NICKEL 50 u"/COPPER	1
	DESCRIPTION	MATERIAL	PLATING	ITEM

THIS DRAWING IS A CONTROLLED DOCUMENT.		DIN J. HAVENER 29MAR2005		TE Connectivity	
DIMENSIONS: INCHES		TOLERANCES UNLESS OTHERWISE SPECIFIED:		APVD J. LIPPERT 29MAR2005	
0. PLC ± 0.3		1. PLC ± 0.2		NAME	
2. PLC ± 0.15		3. PLC ± 0.15		PRODUCT SPEC	
4. PLC ± 0.15		ANGLES ± 5°		108-12044	
MATERIAL		FINISH		APPLICATION SPEC	
WEIGHT 0.000000		SIZE A1		CAGE CODE 00779	
CUSTOMER DRAWING		SCALE 4:1		DRAWING NO. 5227079	
		SHEET 3 OF 3		RESTRICTED TO	