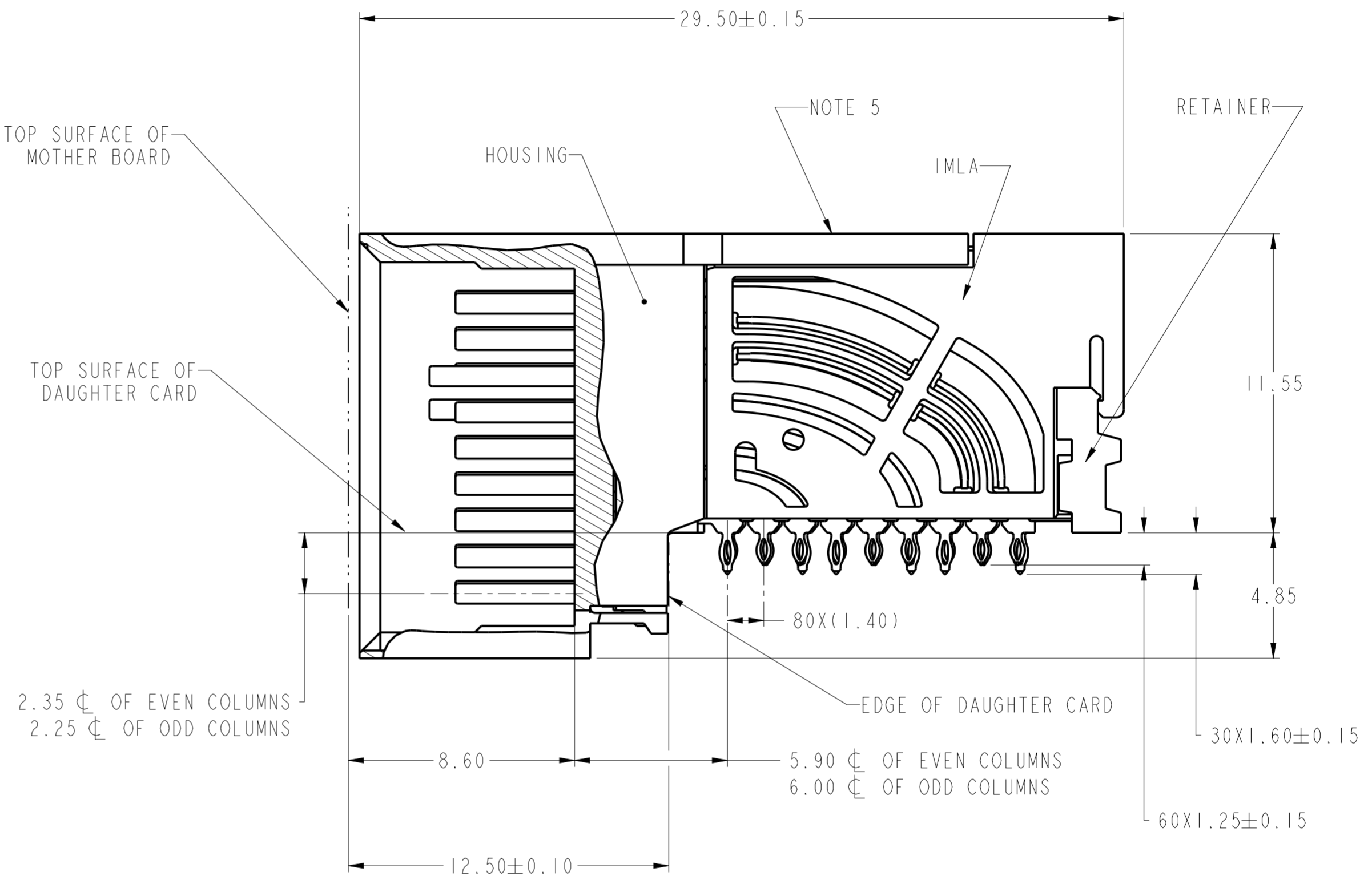
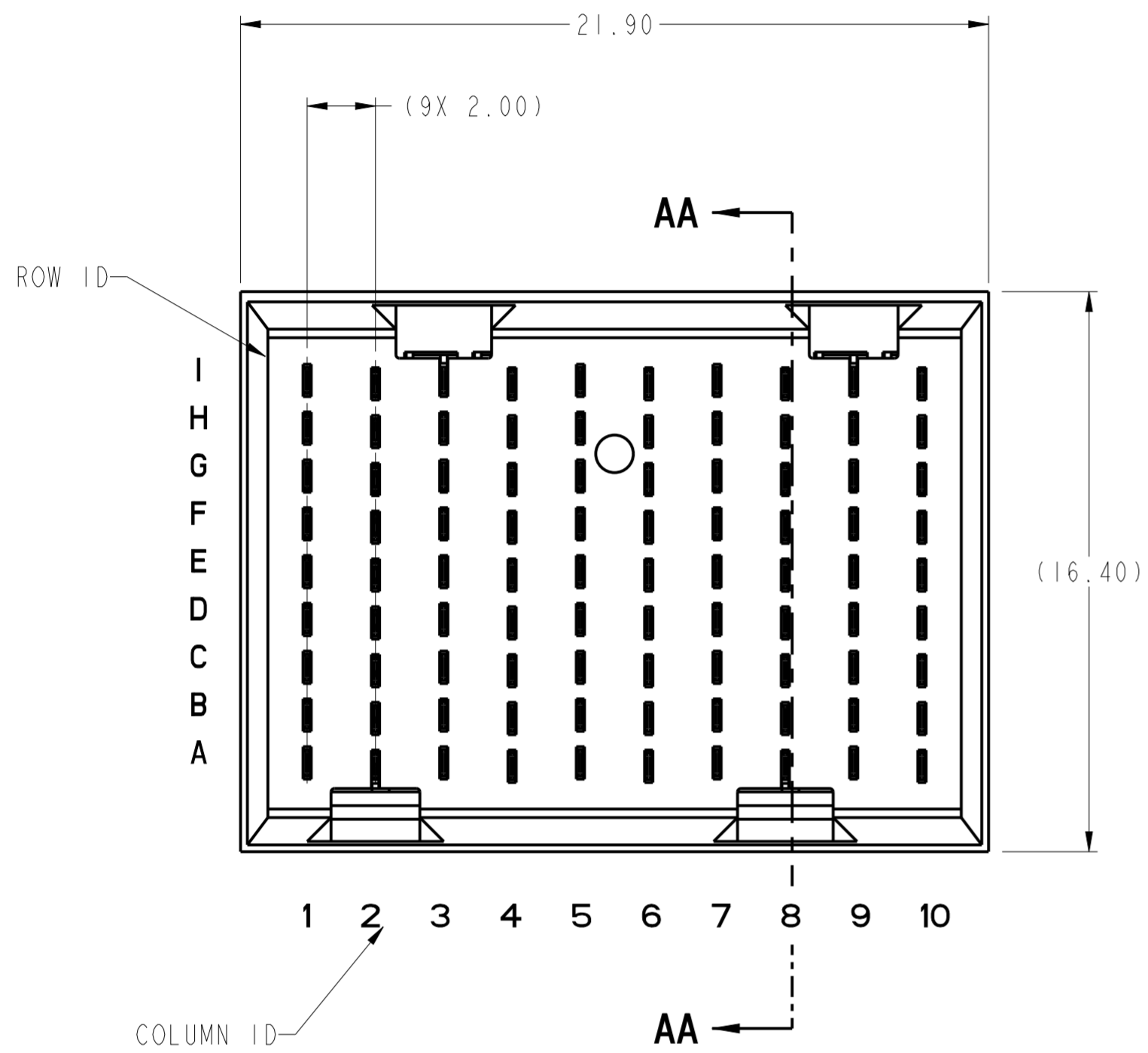


PRODUCT NUMBER  
SEE SHEET 3



SECTION AA-AA

|                                       |                                                                                                                                                                                                                                           |          |            |            |                         |      |              |                |           |          |                |            |     |      |                |            |              |                                                               |        |          |     |   |
|---------------------------------------|-------------------------------------------------------------------------------------------------------------------------------------------------------------------------------------------------------------------------------------------|----------|------------|------------|-------------------------|------|--------------|----------------|-----------|----------|----------------|------------|-----|------|----------------|------------|--------------|---------------------------------------------------------------|--------|----------|-----|---|
| spec ref                              | ---                                                                                                                                                                                                                                       | dr       | Tao Zhan   | 2013/12/10 | projection              | MM   | size         | A2             | scale     | 6:1      |                |            |     |      |                |            |              |                                                               |        |          |     |   |
| tolerance std                         | ASME Y14.5M                                                                                                                                                                                                                               | eng      | Art Lin    | 2016/11/16 |                         |      | ecn no       | ELX-DG-25255-1 | rel level | Released |                |            |     |      |                |            |              |                                                               |        |          |     |   |
| TOLERANCES UNLESS OTHERWISE SPECIFIED |                                                                                                                                                                                                                                           | chr      | Heaven Cen | 2016/11/17 |                         |      |              |                |           |          | product family | AirMax VSE |     |      |                |            |              |                                                               |        |          |     |   |
| surface                               | <table border="1"> <tr> <td>linear</td> <td>0.X</td> <td>±.3</td> </tr> <tr> <td></td> <td>0.XX</td> <td>±.15</td> </tr> <tr> <td></td> <td>0.XXX</td> <td>±.050</td> </tr> <tr> <td>angular</td> <td>0°</td> <td>±2°</td> </tr> </table> | linear   | 0.X        | ±.3        |                         | 0.XX | ±.15         |                | 0.XXX     | ±.050    | angular        | 0°         | ±2° | appr | Pai-Ming Zheng | 2016/11/18 | Amphenol FCI | <b>AirMax VS2 R.A. HEADER</b><br>3 PAIR 90 POS 2MM 10 COL SPF | dwg no | 10126918 | rev | C |
| linear                                | 0.X                                                                                                                                                                                                                                       | ±.3      |            |            |                         |      |              |                |           |          |                |            |     |      |                |            |              |                                                               |        |          |     |   |
|                                       | 0.XX                                                                                                                                                                                                                                      | ±.15     |            |            |                         |      |              |                |           |          |                |            |     |      |                |            |              |                                                               |        |          |     |   |
|                                       | 0.XXX                                                                                                                                                                                                                                     | ±.050    |            |            |                         |      |              |                |           |          |                |            |     |      |                |            |              |                                                               |        |          |     |   |
| angular                               | 0°                                                                                                                                                                                                                                        | ±2°      |            |            |                         |      |              |                |           |          |                |            |     |      |                |            |              |                                                               |        |          |     |   |
|                                       |                                                                                                                                                                                                                                           | cat. no. |            |            | Product - Customer Draw |      | sheet 1 of 3 |                |           |          |                |            |     |      |                |            |              |                                                               |        |          |     |   |

SEE DETAIL A

NOTE 10

NOMINAL OUTLINE OF CONNECTOR NOTE 7

ROW ID

(17.40)

40X

1.4

45X

1.4

5X 2.000 COLUMNS 2, 4, 6, 8 & 10

5X 2.100 COLUMNS 1, 3, 5, 7 & 9

9X

2

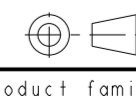

9

COLUMN ID

5X (0.10) ODD AND EVEN COLUMN OFFSET

RECOMMENDED PCB LAYOUT FOR DIFFERENTIAL APPLICATIONS COMPONENT SIDE (TWO ADJACENT FOOTPRINTS SHOWN) NOTES 8 & 12

SCALE 10:1

|                                       |                                                                                                                                                                                                                                           |                     |            |                               |                                                                                       |                                                                                       |           |                           |                 |       |         |    |     |      |                |            |                |  |  |  |
|---------------------------------------|-------------------------------------------------------------------------------------------------------------------------------------------------------------------------------------------------------------------------------------------|---------------------|------------|-------------------------------|---------------------------------------------------------------------------------------|---------------------------------------------------------------------------------------|-----------|---------------------------|-----------------|-------|---------|----|-----|------|----------------|------------|----------------|--|--|--|
| spec ref                              | ---                                                                                                                                                                                                                                       | dr                  | Tao Zhan   | 2013/12/10                    | projection                                                                            | MM                                                                                    | size      | A2                        | scale           | 10:1  |         |    |     |      |                |            |                |  |  |  |
| tolerance std                         | ASME Y14.5M                                                                                                                                                                                                                               | eng                 | Art Lin    | 2016/11/16                    |  |  | ecn no    | ELX-DG-2525-1             |                 |       |         |    |     |      |                |            |                |  |  |  |
| TOLERANCES UNLESS OTHERWISE SPECIFIED |                                                                                                                                                                                                                                           | chr                 | Heaven Cen | 2016/11/17                    |                                                                                       |                                                                                       | rel level | Released                  |                 |       |         |    |     |      |                |            |                |  |  |  |
| surface                               | <table border="1"> <tr> <td>linear</td> <td>0.X</td> <td>±.3</td> </tr> <tr> <td></td> <td>0.XX</td> <td>±.15</td> </tr> <tr> <td></td> <td>0.XXX</td> <td>±.050</td> </tr> <tr> <td>angular</td> <td>0°</td> <td>±2°</td> </tr> </table> | linear              | 0.X        | ±.3                           |                                                                                       | 0.XX                                                                                  | ±.15      |                           | 0.XXX           | ±.050 | angular | 0° | ±2° | appr | Pei-Ming Zheng | 2016/11/18 | product family |  |  |  |
| linear                                | 0.X                                                                                                                                                                                                                                       | ±.3                 |            |                               |                                                                                       |                                                                                       |           |                           |                 |       |         |    |     |      |                |            |                |  |  |  |
|                                       | 0.XX                                                                                                                                                                                                                                      | ±.15                |            |                               |                                                                                       |                                                                                       |           |                           |                 |       |         |    |     |      |                |            |                |  |  |  |
|                                       | 0.XXX                                                                                                                                                                                                                                     | ±.050               |            |                               |                                                                                       |                                                                                       |           |                           |                 |       |         |    |     |      |                |            |                |  |  |  |
| angular                               | 0°                                                                                                                                                                                                                                        | ±2°                 |            |                               |                                                                                       |                                                                                       |           |                           |                 |       |         |    |     |      |                |            |                |  |  |  |
|                                       |                                                                                                                                                                                                                                           | <b>Amphenol FCI</b> |            | <b>AirMax VS2 R.A. HEADER</b> |                                                                                       | 3 PAIR 90 POS 2MM 10 COL SPF                                                          |           | dwg no<br><b>10126918</b> | rev<br><b>C</b> |       |         |    |     |      |                |            |                |  |  |  |
|                                       |                                                                                                                                                                                                                                           |                     |            | cat. no.                      |                                                                                       | Product - Customer Drw                                                                |           | sheet 2 of 3              |                 |       |         |    |     |      |                |            |                |  |  |  |

PDS: Rev :C

STATUS: Released

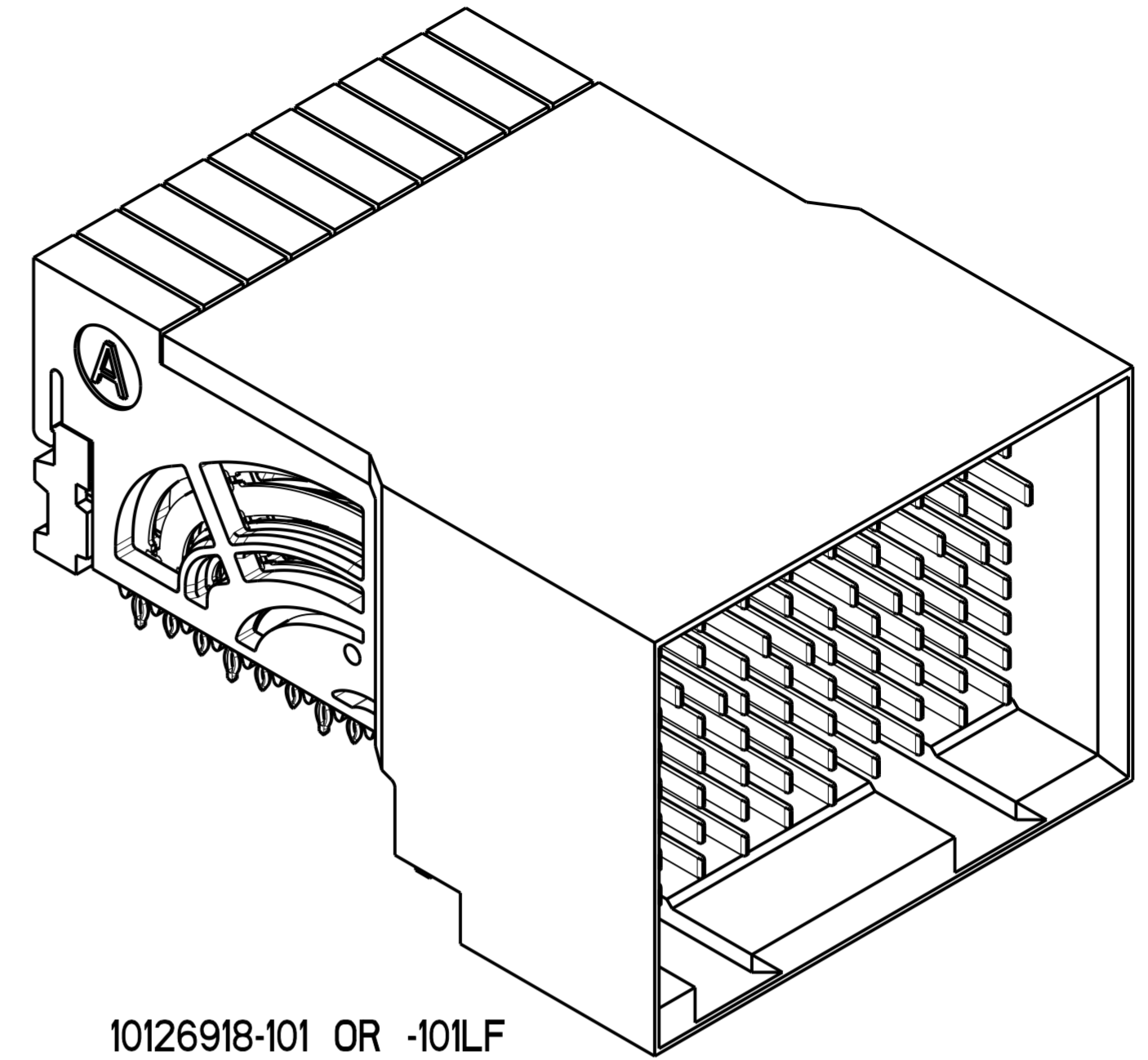
Printed: Nov 22, 2016

Amphenol FCI

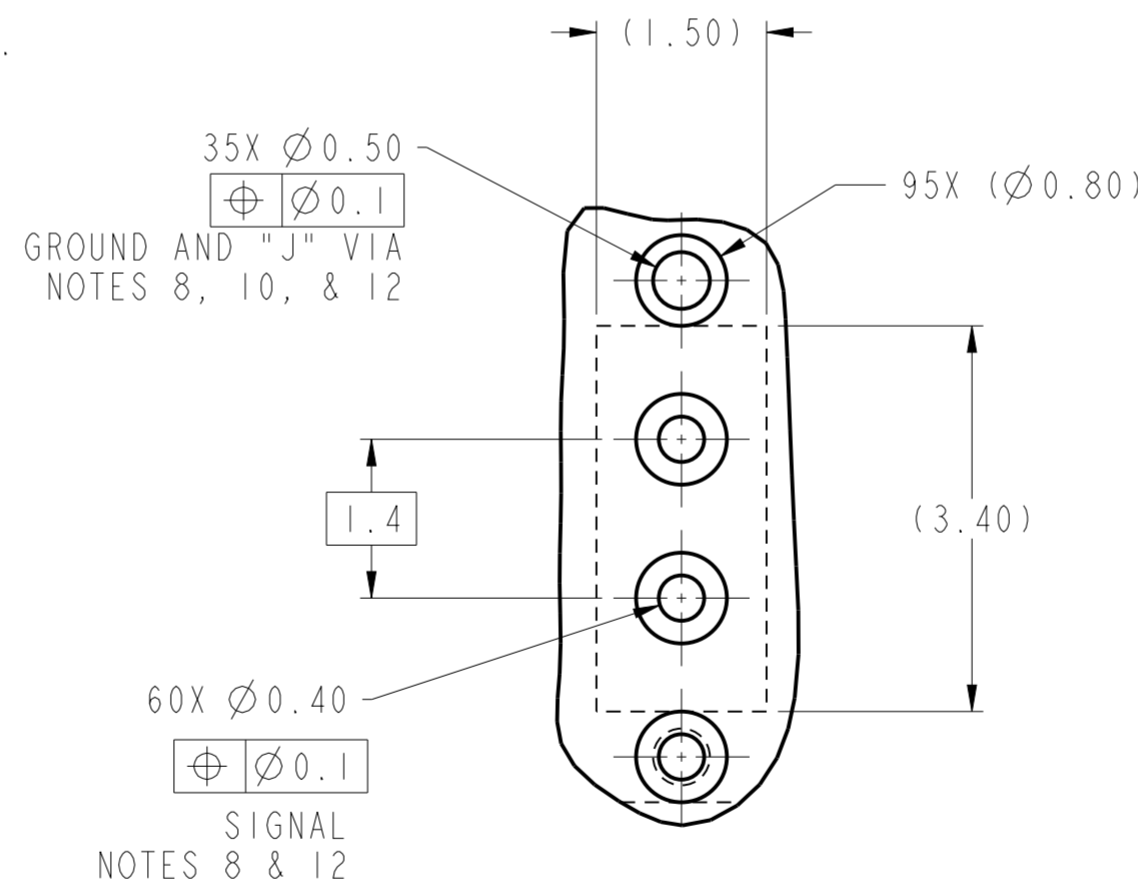
© 2016 APCI

| PRODUCT NUMBER | PRESS-FIT TAIL PLATING TYPE | REMARK                            |
|----------------|-----------------------------|-----------------------------------|
| 10126918-101   | TIN/LEAD ALLOY OVER NICKEL  | 1-SIDE PLATING (CUSTOMER SPECIAL) |
| 10126918-101LF | TIN OVER NICKEL (LEAD FREE) |                                   |
| 10126918-102   | TIN/LEAD ALLOY OVER NICKEL  | 2-SIDE PLATING                    |
| 10126918-102LF | TIN OVER NICKEL (LEAD FREE) |                                   |

- 1 - CONNECTOR MATERIALS:  
HOUSING: HIGH TEMP THERMOPLASTIC, NATURAL, UL94-V0  
IMLA PLASTIC: HIGH TEMP THERMOPLASTIC, BLACK, UL94-V0  
CONTACT: COPPER ALLOY  
ORGANIZER: HIGH TEMP THERMOPLASTIC, NATURAL, UL94-V0
- 2 - CONTACT PLATING:  
SEPARABLE INTERFACE:  
PERFORMANCE-BASED PLATING, QUALIFIED TO MEET THE REQUIREMENTS OF FCI PRODUCT SPECIFICATION GS-12-0956 INCLUDING TELCORDIA GR-1217-CORE (NOVEMBER 1995) CENTRAL OFFICE TEST SEQUENCE  
PRESS-FIT TAILS: SEE TABLE
- 3 - PRODUCT SPECIFICATION: GS-12-0956
- 4 - APPLICATION SPECIFICATION: GS-20-0305
- 5 - PRODUCT MARKING, (PROTOTYPE, PART NUMBER & LOT CODE), ON THIS SURFACE.
- 6 - POSITIONS "F" OF ODD NUMBERED COLUMNS AND POSITIONS "G" OF EVEN NUMBERED COLUMNS CORRESPOND TO EARLY MATE HEADER PINS.
- 7 - CONNECTOR OUTLINE MAY BE SCREEN PRINTED ONTO CUSTOMER PCB TO BE USED AS A GUIDE FOR CONNECTOR PLACEMENT.
- 8 - REFER TO CUSTOMER DRAWING 10104444 FOR INFORMATION ON PCB HOLE DIAMETERS AND PLATING OPTIONS
- 9 - LEAD FREE PRODUCT MEETS THE EUROPEAN UNION DIRECTIVES & OTHER COUNTRY REGULATIONS AS DESCRIBED IN GS-22-008
- 10 - THESE OUTER VIAS (J) ARE OPTIONAL. WHILE NO CONNECTOR EONS ARE PRESSED INTO THESE HOLES WE RECOMMEND (Ø0.50) FINISHED HOLES AT THESE LOCATIONS TO PROVIDE GROUND SYMMETRY THROUGH THE PCB.
- 11 - PACKAGING MEETS GS-14-920 LEAD FREE LABELING SPECIFICATION.
- 12 - GROUND CONTACTS (C, F, & I IN ODD COLUMNS AND A, D, & G IN EVEN COLUMNS) REQUIRE (Ø0.50) FINISHED HOLES. SIGNAL LOCATIONS REQUIRE (Ø0.40) FINISHED HOLES
- 13 - A  $\triangle$  SYMBOL WILL BE NEXT TO ANY DIMENSIONS, VIEW OR NOTE, WHICH HAS BEEN MODIFIED WITH THE CURRENT DRAWING REVISION.



10126918-101 OR -101LF  
10126918-102 OR -102LF



DETAIL A  
SCALE 15:1

|                                       |                                                                                                                                                                                                                                           |                     |            |                               |            |                                     |           |               |          |       |         |    |     |      |                |            |                |  |  |  |
|---------------------------------------|-------------------------------------------------------------------------------------------------------------------------------------------------------------------------------------------------------------------------------------------|---------------------|------------|-------------------------------|------------|-------------------------------------|-----------|---------------|----------|-------|---------|----|-----|------|----------------|------------|----------------|--|--|--|
| spec ref                              | ---                                                                                                                                                                                                                                       | dr                  | Tao Zhan   | 2013/12/10                    | projection | MM                                  | size      | A2            | scale    | 10:1  |         |    |     |      |                |            |                |  |  |  |
| tolerance std                         | ASME Y14.5M                                                                                                                                                                                                                               | eng                 | Art Lin    | 2016/11/16                    |            |                                     | ecn no    | ELX-DG-2525-1 |          |       |         |    |     |      |                |            |                |  |  |  |
| TOLERANCES UNLESS OTHERWISE SPECIFIED |                                                                                                                                                                                                                                           | chr                 | Heaven Cen | 2016/11/17                    |            |                                     | rel level | Released      |          |       |         |    |     |      |                |            |                |  |  |  |
| surface                               | <table border="1"> <tr> <td>linear</td> <td>0.X</td> <td>±.3</td> </tr> <tr> <td></td> <td>0.XX</td> <td>±.15</td> </tr> <tr> <td></td> <td>0.XXX</td> <td>±.050</td> </tr> <tr> <td>angular</td> <td>0°</td> <td>±2°</td> </tr> </table> | linear              | 0.X        | ±.3                           |            | 0.XX                                | ±.15      |               | 0.XXX    | ±.050 | angular | 0° | ±2° | appr | Pei-Ming Zheng | 2016/11/18 | product family |  |  |  |
| linear                                | 0.X                                                                                                                                                                                                                                       | ±.3                 |            |                               |            |                                     |           |               |          |       |         |    |     |      |                |            |                |  |  |  |
|                                       | 0.XX                                                                                                                                                                                                                                      | ±.15                |            |                               |            |                                     |           |               |          |       |         |    |     |      |                |            |                |  |  |  |
|                                       | 0.XXX                                                                                                                                                                                                                                     | ±.050               |            |                               |            |                                     |           |               |          |       |         |    |     |      |                |            |                |  |  |  |
| angular                               | 0°                                                                                                                                                                                                                                        | ±2°                 |            |                               |            |                                     |           |               |          |       |         |    |     |      |                |            |                |  |  |  |
|                                       |                                                                                                                                                                                                                                           | <b>Amphenol FCI</b> |            | <b>AirMax VS2 R.A. HEADER</b> |            | <b>3 PAIR 90 POS 2MM 10 COL SPF</b> |           | dwg no        | 10126918 |       |         |    |     |      |                |            |                |  |  |  |
|                                       |                                                                                                                                                                                                                                           |                     |            | cat. no.                      |            | Product - Customer Drw              |           | sheet 3 of 3  |          | rev   | C       |    |     |      |                |            |                |  |  |  |