

- NOTE 1. LEAD CO-PLANARITY SHALL BE 0.1mm MAX.
 2. EMBOSSED CARRIER TAPE PACKAGING SHALL BE APPLIED TO THIS PRODUCT. SEE NEXT PAGE FOR DETAILS.
 3. THIS PRODUCT HAS TAPE FOR VACUUM PICKUP. SEE NEXT PAGE FOR DETAIL OF STICKING POSITION, ETC.
 4. FOR MODIFICATION, ETC. PREVENTIVE HOLE FOR SINK MARK MAY BE ADDED ACCORDING TO CIRCUMSTANCES.
 5. THE DIMENSIONS IN PARENTHESES ARE FOR REFERENCE.
 ⑥ NUMBER OF CONTACTS.
 ⑦ EXISTENCE
 X: PRODUCED, -: NO PRODUCED

DIMENSION TABLE OF CONNECTOR AND P.C.B. LAND PATTERN.

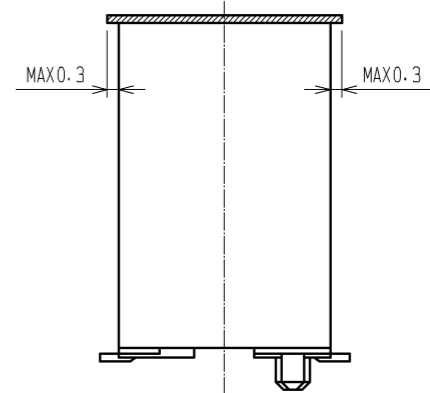
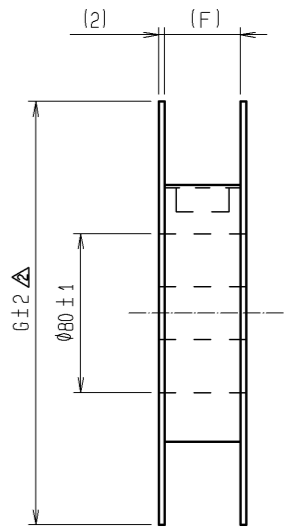
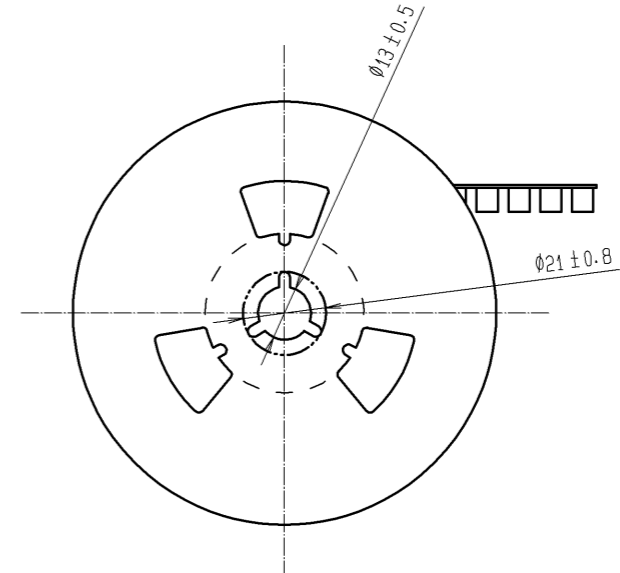
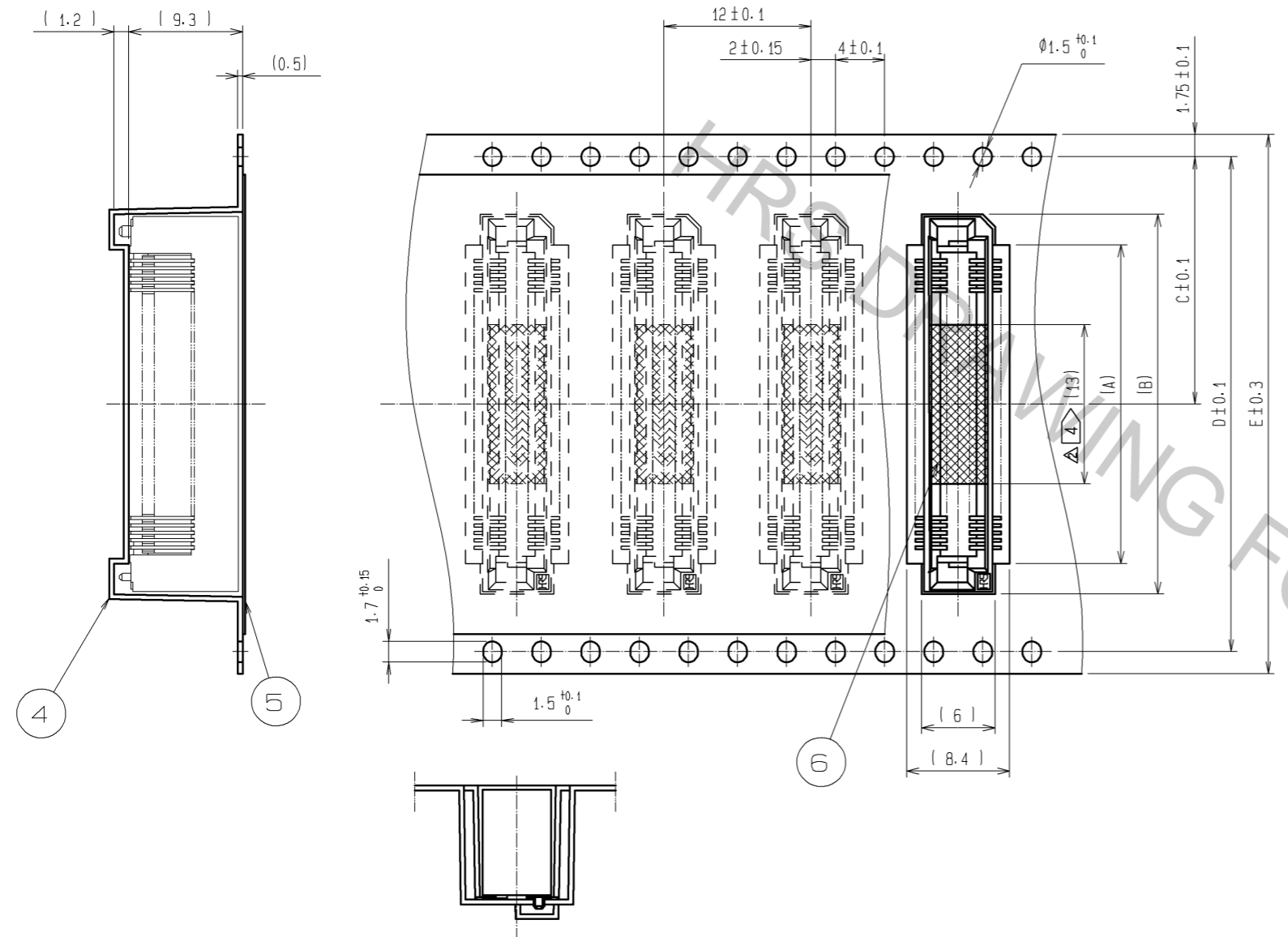
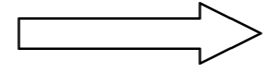
PART No.	CODE No.	⑥	⑦	A	B	C	D	E
FX8C-60S-SV5(93)	CL578-0821-0-93	60	X	24.60	23.05	20.80	17.40	22.20
FX8C-80S-SV5(93)	CL578-0823-5-93	80	X	30.60	29.05	26.80	23.40	28.20
FX8C-100S-SV5(93)	CL578-0825-0-93	100	X	36.60	35.05	32.80	29.40	34.20
FX8C-120S-SV5(93)	CL578-0826-3-93	120	-	42.60	41.05	38.80	35.40	40.20
FX8C-140S-SV5(93)	CL578-0827-6-93	140	X	48.60	47.05	44.80	41.40	46.20

①	2	PHOSPHOR BRONZE	CONTACT AREA: GOLD 0.1μm min.	6	POLYIMIDE	(TAPE FOR VACUUM PICKUP)		
			LEAD AREA: TIN-PLATING 1μm min.		5	POLYESTER	(TOP COVER TAPE)	
			UNDER PLATING: NICKEL 1μm min.		4	PS	(EMBOSSED CARRIER TAPE)	
1, 3	PPS	LIGHT BROWN (UL94V-0)						
NO.	MATERIAL	FINISH, REMARKS	NO.	MATERIAL	FINISH, REMARKS			
UNITS mm	①	SCALE FREE	COUNT 8	DESCRIPTION OF REVISIONS DIS-F-002261		DESIGNED TS. MIYAKI	CHECKED HS. OZAWA	DATE 07.08.04
HRS HIROSE ELECTRIC CO., LTD.		APPROVED: YK. YOSHIMURA	03.02.19	DRAWING NO. EDC3-151023-23				
		CHECKED: HS. OKAWA	03.02.18	PART NO. FX8C-*S-SV5(93)				
		DESIGNED: KY. NAKAMURA	03.02.17	CODE NO. CL578				
		DRAWN: SK. SUZUKI	03.02.07					

DRAWING FOR PACKING (FREE)

REEL DIMENSION

UNREELING DIRECTION

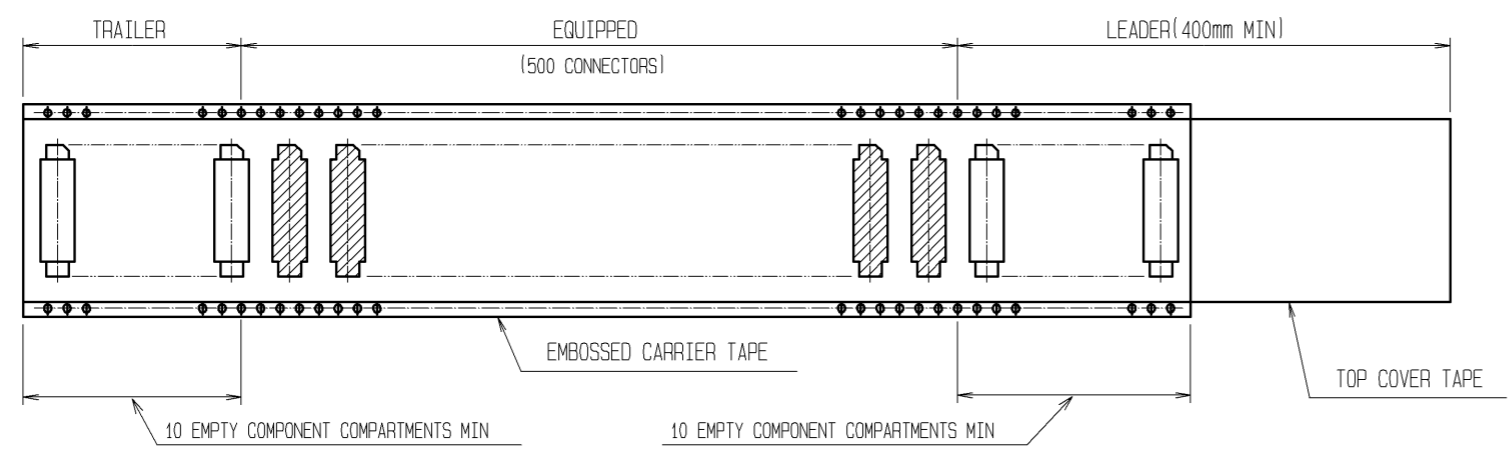


DETAIL OF TAPE FOR VACUUM PICKUP

△△ DIMENSION TABLE OF EMBOSSED CARRIER TAPE AND REEL.

PART No.	CODE No.	②	③	A	B	C	D	E	F	G
FX8C- 60S-SV5(93)	CL578-0821-0-93	60	×	20	25	20.2	40.4	44	44.4	Ø370
FX8C- 80S-SV5(93)	CL578-0823-5-93	80	×	26	31	20.2	40.4	44	44.4	Ø370
FX8C-100S-SV5(93)	CL578-0825-0-93	100	×	32	37	26.2	52.4	56	56.4	Ø370
FX8C-120S-SV5(93)	CL578-0826-3-93	120	-	38	43	26.2	52.4	56	56.4	Ø380
FX8C-140S-SV5(93)	CL578-0827-6-93	140	×	44	49	34.2	68.4	72	72.4	Ø380

- NOTE
- 1 1 REEL : 500 CONNECTORS
 - ② NUMBER OF CONTACTS
 - ③ EXISTENCE
 - X:PRODUCED, -:NO PRODUCED
 - ④ REMOVE THE VACUUM PICKUP TAPE AFTER MOUNTING THE CONNECTOR. △
 - 5 THE DIMENSIONS IN PARENTHESES ARE FOR REFERENCE. △



HRS	DRAWING NO.	EDC3-151023-23
	PART NO.	FX8C-*S-SV5(93)
	CODE NO.	CL578
		△ 2/2