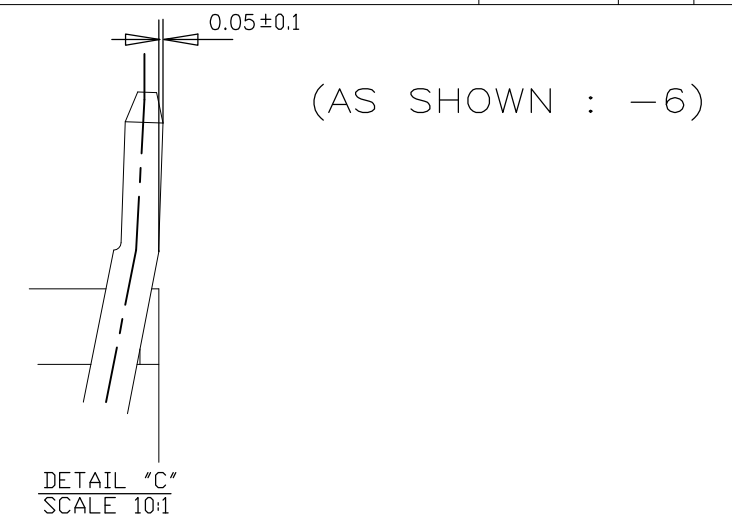
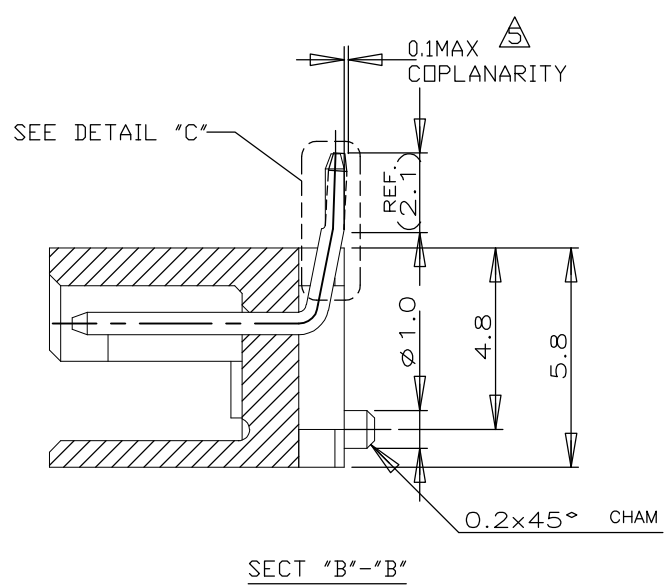
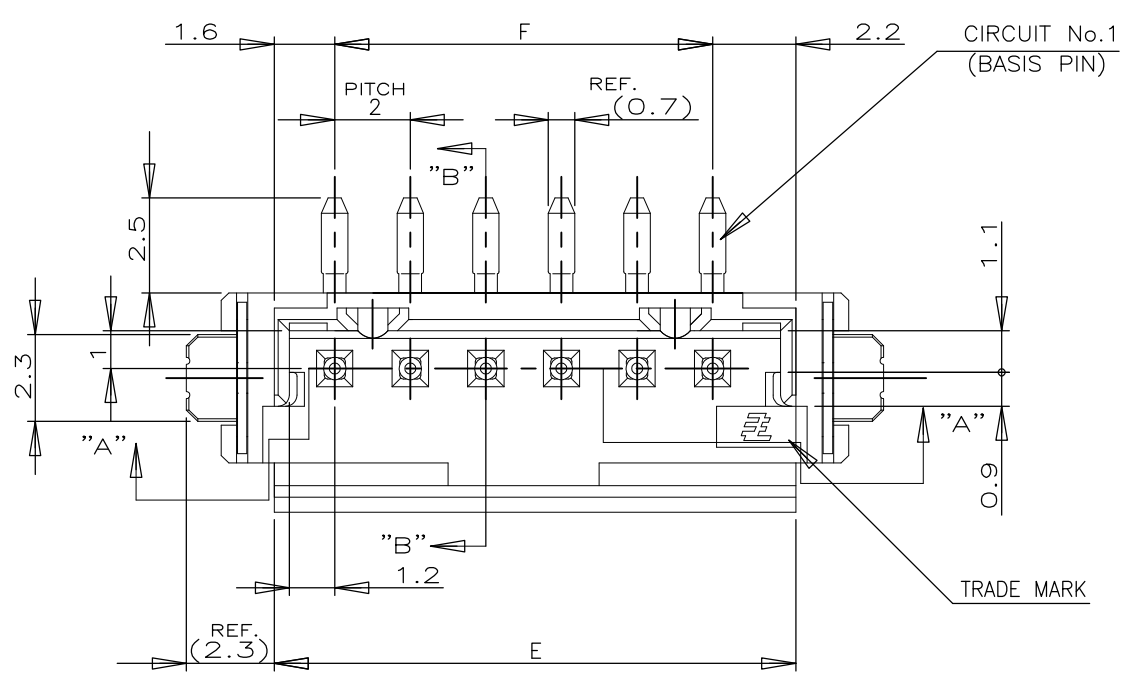
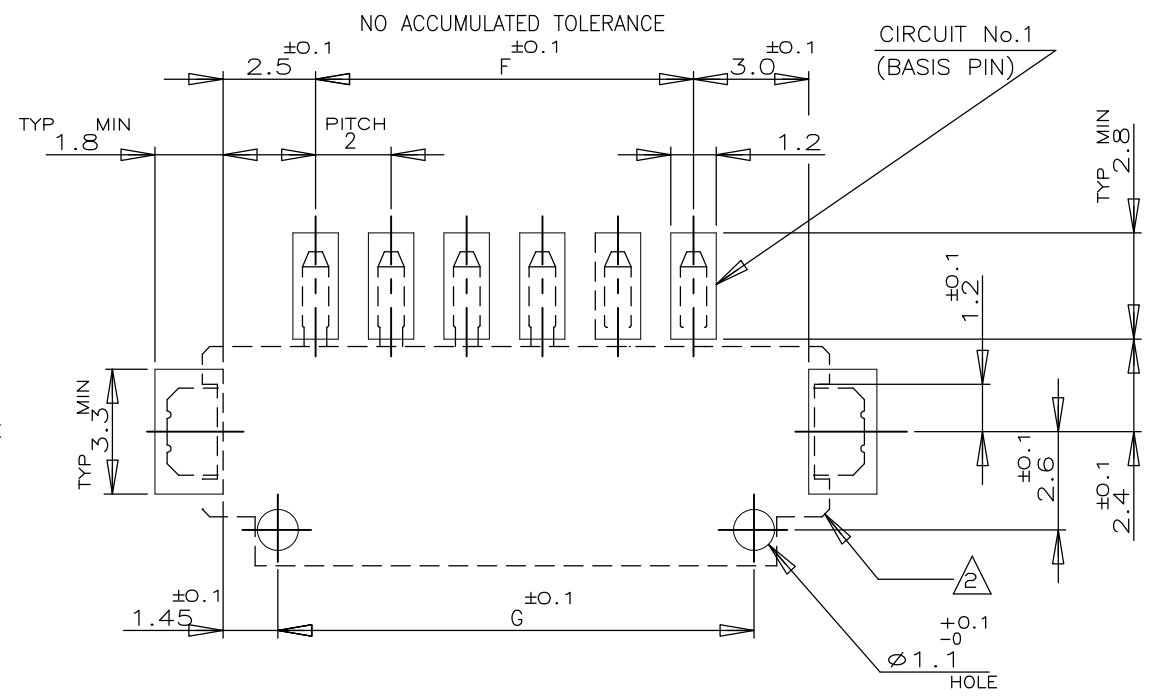
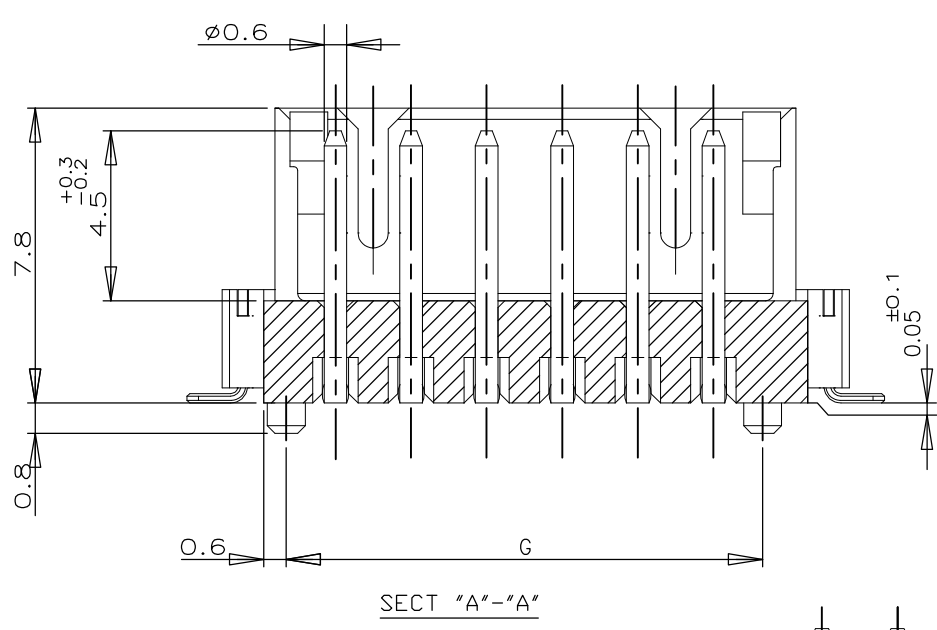


THIS DRAWING IS UNPUBLISHED. RELEASED FOR PUBLICATION
 © COPYRIGHT - By - ALL RIGHTS RESERVED.

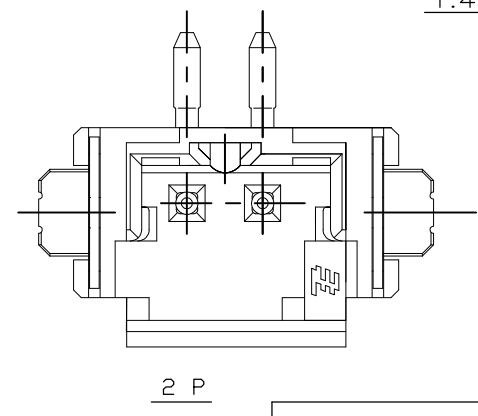
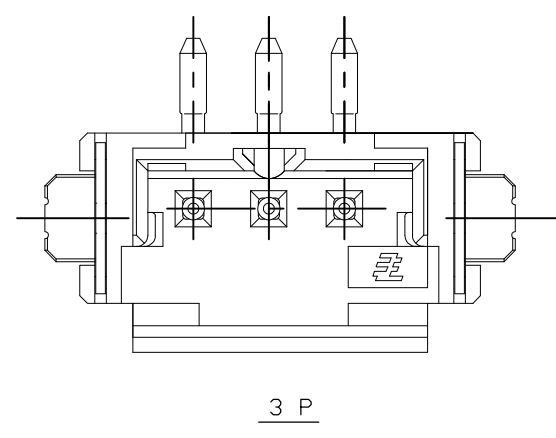
LOC	DIST	REVISIONS					
ES	00	P	LTR	DESCRIPTION	DATE	DWN	APVD
		-		SEE SHEET 1	-	-	-



- NOTES;
- MATERIAL:HSG:6T PA(G.F.30%)(UL94V-0)
 COLOR:BLACK OR NATURAL
 POST:TIN BRASS
 TAIL:TIN BRASS
 - △ OCCUPANT AREA ON PC BOARD
 - △ TO BE MEASURED WITH CONNECTOR PLACED ON HORIZONTAL DATUM SURFACE,FLOAT OF SOLDER TINE AND TAIL FROM DATUM SURFACE IS 0.1mm MAX



⑥					
18.6	16.0	19.8	9	2-292174-9	2921749
16.6	14.0	17.8	8	2-▲-8	▲-8
14.6	12.0	15.8	7	2-▲-7	▲-7
12.6	10.0	13.8	6	2-▲-6	▲-6
10.6	8.0	11.8	5	2-▲-5	▲-5
8.6	6.0	9.8	4	2-▲-4	▲-4
6.6	4.0	7.8	3	2-▲-3	▲-3
4.6	2.0	5.8	2	2-292174-2	292174-2
G	F	E	Pos.	BLACK	NATURAL
				P/N	



TOLERANCES UNLESS OTHERWISE SPECIFIED:
 10>* : ±0.2
 30>*>10 : ±0.25
 100>*>30 : ±0.3
 ANGEL : ±3°

THIS DRAWING IS A CONTROLLED DOCUMENT.

DIMENSIONS: MM	TOLERANCES UNLESS OTHERWISE SPECIFIED: 0 PLC ± - 1 PLC ± - 2 PLC ± - 3 PLC ± - 4 PLC ± - ANGLES ± - FINISH	DWN JACK HOU 17SEP10 CHK MARTIN LI 17SEP10 APVD STEVEN YAO 17SEP10 PRODUCT SPEC APPLICATION SPEC WEIGHT -	NAME SMT TYPE POST HDR ASS'Y(V) WITH BOSS & WITH TAIL TYPE TE CT CONN. 2 mm PITCH
MATERIAL SEE NOTE	SEE NOTE	SIZE A3 CAGE CODE 00779 DRAWING NO C-292174	RESTRICTED TO

CUSTOMER DRAWING SCALE 5:1 SHEET 2 OF 2 REV B2