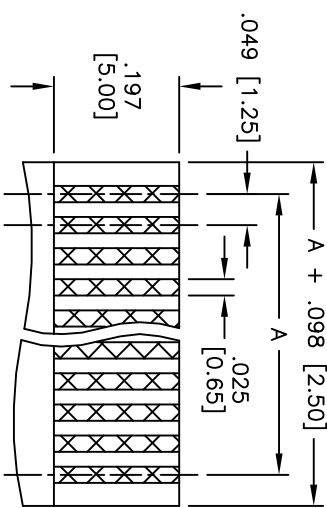
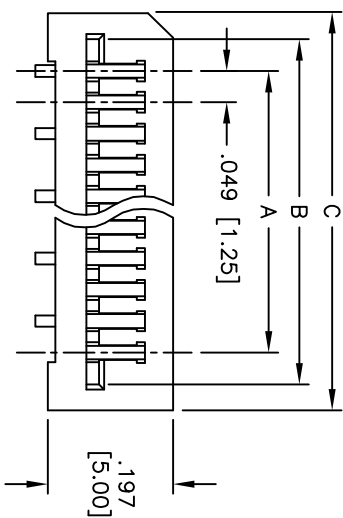
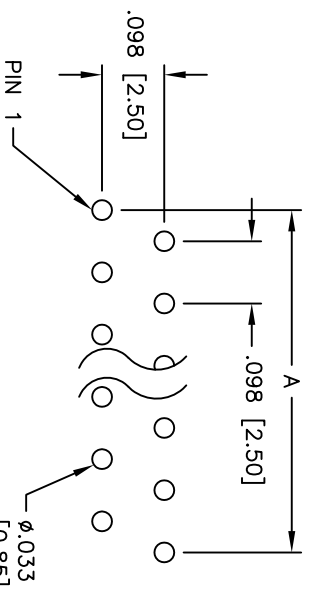
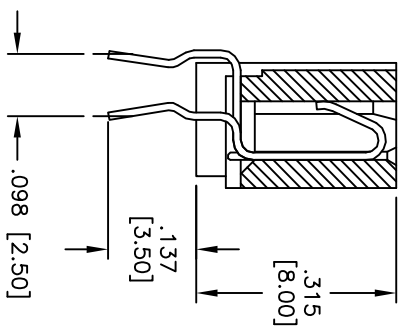
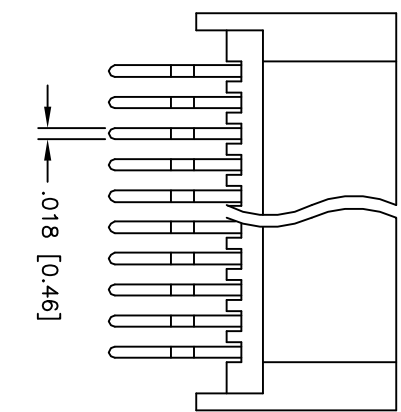


Rev	AWO #	Description	Date	Appr
-		RELEASED	3/23/05	

APPROVED: _____
 DATE: _____ TITLE: _____



FPC/FFC THICKNESS
 .012 ±.002
 [0.30 ±0.05]



SPECIFICATIONS:
 Material: Insulator: PBT, Glass reinforced, rated UL 94V-0
 Insulator color: Black
 Contacts: Phosphor Bronze
 Plating: Tin over Copper underplate overall

Positions: 3 thru 30
 A = .049 [1.25] x No. of Spaces
 B = A + .100 [2.54]
 C = A + .183 [4.65]

Electrical: Operating voltage: 250 VAC max
 Current rating: 1 Amp max
 Contact resistance: 25 mohms max initial
 Insulation resistance: 1000 Mohms min
 Dielectric withstanding voltage: 500 VAC for 1 minute
 Operating temperature: -55°C to +85°C
 Environmental: Lead free, RoHS compliant



UNLESS OTHERWISE SPECIFIED ALL DIMENSIONS ARE INCHES [MM]	
TOLERANCES: EXCEPT AS NOTED	
INCHES	
.X ±.10	ØXX ±.10
.XX ±.020	ØXXX ±.015
.XXX ±.015	ØXXXX ±.010
APPROVALS	
DRAWN	SS
CHECKED	AY
DATE	DATE
3/23/05	7/28/10

ADAM TECH
 909 Railway Avenue, Union, NJ 07083
 Phone: 908-687-5000 Fax: 908-687-5710

TITLE		LIF FLEX CIRCUIT CONNECTOR	
DRAWING		TOP ENTRY, 2.50 MM PCB ROW SPACING	
CHECKED	AY	SIZE	PART NO.
APPROVED		X	PCB-B-XX-T-25
DATE		SCALE	NTS
3/23/05		SHEET 1 OF 1	