

6

5

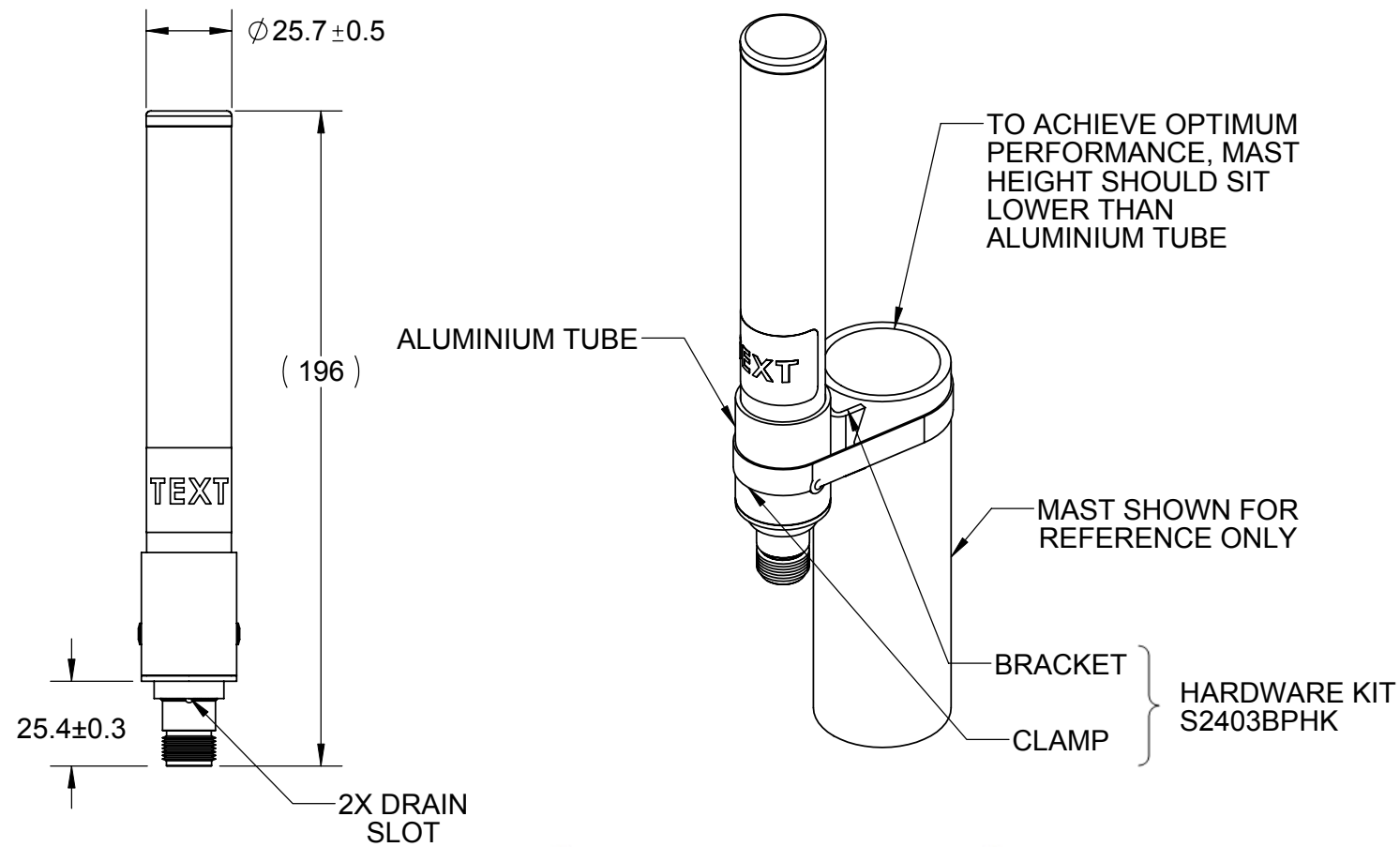
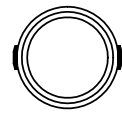
4

3

2

1

REVISIONS					
REV.	ECR#	ZONE	DESCRIPTION	CHANGED BY/DATE	APPROVED BY/DATE
1			INITIAL RELEASE	1/12/11	1/12/11
B1			ADD WIND RATING, IP RATING, OPERATING TEMPERATURE AND STORAGE TEMPERATURE SPEC	29/8/12	29/8/12



Parameter	Performance
Model number	OC80271-FNF
Frequency, (MHz)	806 – 824MHz 824 – 894MHz 880 – 960MHz 1710 – 1880MHz 1850 – 1990MHz 1920 – 2170MHz 2300 – 2400MHz 2400 – 2500MHz 2500 – 2690MHz.
Peak Gain, (dBi)	1.0 dBi (806 – 960MHz) 3.0 dBi (1710 – 2690MHz)
Polarization	Vertical, Omnidirectional Radiation Pattern
VSWR	< 2.5 : 1 (806 – 960MHz) < 2 : 1 (1710 – 2690MHz)
Power	20 Watts
Mounting	Upright position only
RF Connector	N-Type (F)
Radome Color	White
Antenna Weight	120g
Wind Rating	Operational 120 mph/ Survival 136 mph
IP Rating	IP55
Operation Temperature	-30°c to 70°c
Storage Temperature	-40°c to 85°c

APPROVED

MATERIAL:		THIRD ANGLE PROJECTION		
FINISH:		DO NOT SCALE DRAWING		
APPROVALS		DATE	TITLE: OC80271-FNF	
DRAWN BY	TL KHOO	1/12/11		
PROJ. ENG.	LL TEOH	1/12/11		
APPL. MECH.	GJ CHIN	1/12/11		
MFG.	CH FONG	1/12/11	DIMENSIONS ARE IN MILLIMETERS ANGLE: ±30' 0 PLACE DECIMAL: ±0.5 1 PLACE DECIMAL: ±0.25 2 PLACE DECIMAL: ±0.13 SURFACE ROUGHNESS 1.6/√	
THIS DRAWING IS UNPUBLISHED.		RELEASED FOR PUBLICATION -,-		SIZE A3
© Copyright 2022 TE Connectivity Ltd.		ALL RIGHTS RESERVED.		DWG. NO. OC80271-FNFMO
				REV B1
				SCALE: 1:2 PREVIOUS# SHEET 1 OF 1

6

5

4

3

2

1