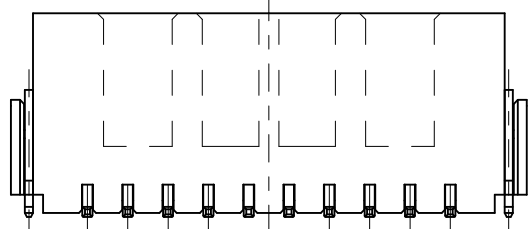
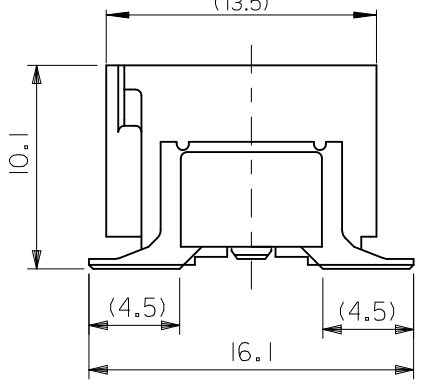
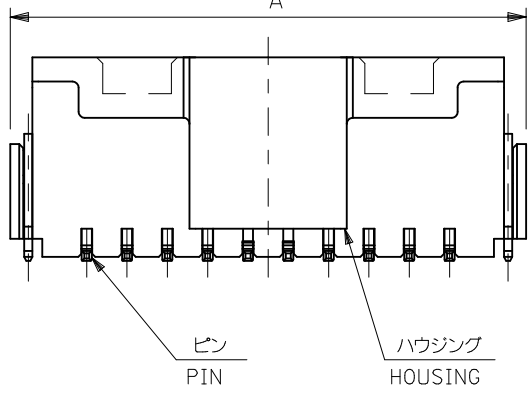
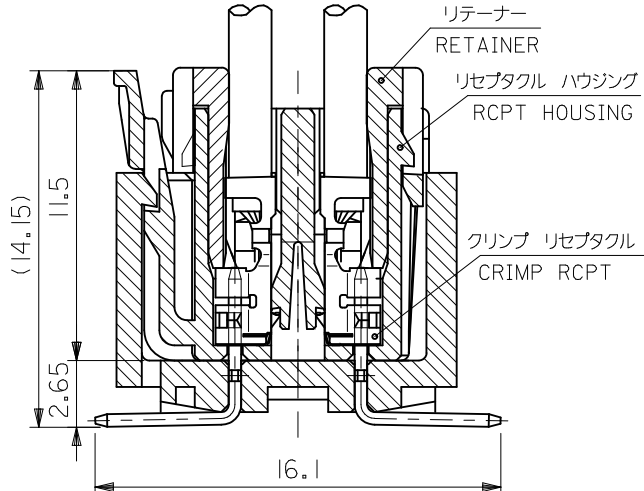
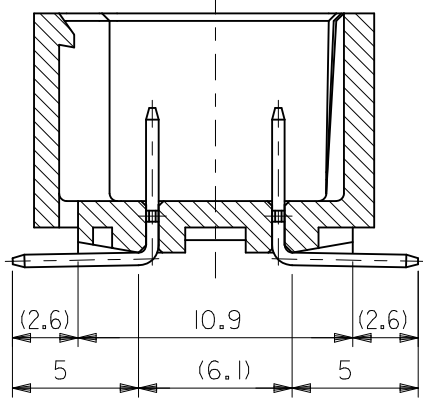
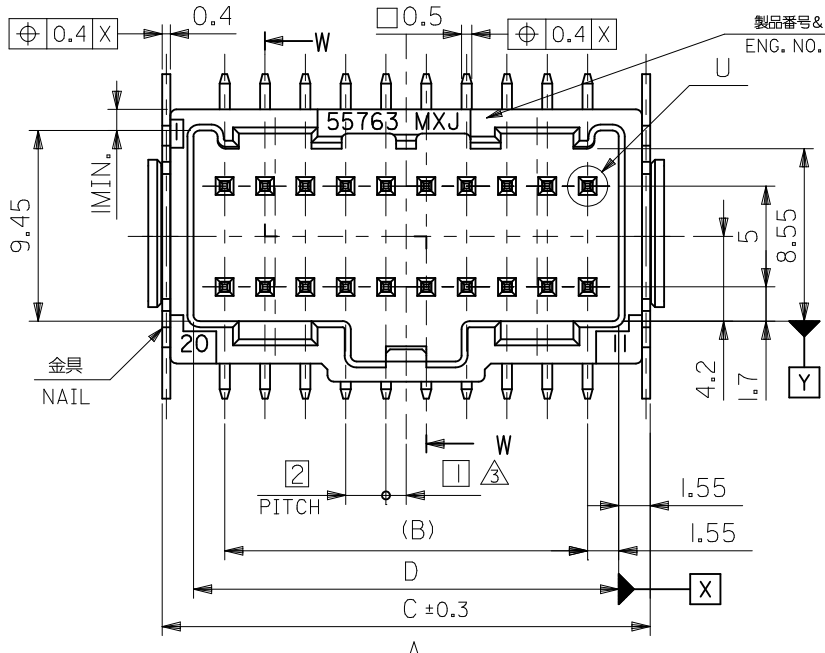
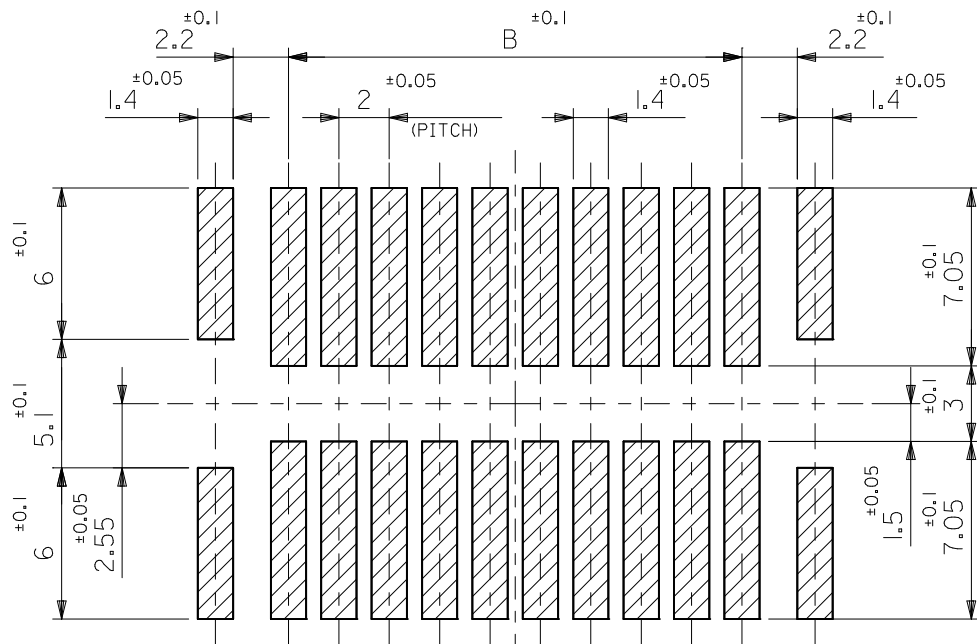


10 9 8 7 6 5 4 3 2 1

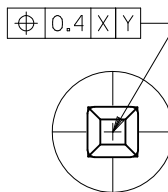


41.1	44.2	38	45.6	55763-408*	40
31.1	34.2	28	35.6	55763-308*	30
21.1	24.2	18	25.6	55763-208*	20
D	C	B	A	△ MATERIAL NO.	CKT.
MODEL NO. 55763-***8*					

REVISED EC NO: J2010-2017 DRWN: ITO CHKD: K. TOJO APPR: NUKITA	2010/04/07 2010/04/09 2010/04/12	GENERAL TOLERANCES (UNLESS SPECIFIED)		DIMENSION STYLE MM ONLY		SCALE 4:1	DESIGN UNITS METRIC	THIRD ANGLE PROJECTION	
		10 UNDER	±0.2	DRAWN BY M. NAGATA	DATE 2004/02/10	TITLE 2.0MM W-TO-B DUAL CONN PLUG HOUSING ASS'Y -LEAD FREE-			
		10 OVER 30 UNDER	±0.25	CHECKED BY K. TOJO	DATE 2004/02/10	MOLEX INCORPORATED			
		30 OVER	±0.3	APPROVED BY M. SASAO	DATE 2004/02/10	DOCUMENT NO. SD-55763-006			
REV	DESCRIPTION	ANGULAR	±3 °	MATERIAL NO. SEE CHART		SHEET NO. 1 OF 2		THIS DRAWING CONTAINS INFORMATION THAT IS PROPRIETARY TO MOLEX INCORPORATED AND SHOULD NOT BE USED WITHOUT WRITTEN PERMISSION	
		DRAFT WHERE APPLICABLE MUST REMAIN WITHIN DIMENSIONS		SIZE A3					



参考基板レイアウト (マウント面)
P.C.BOARD PATTERN DIMENSION (REFERENCE)
(MOUNTING AREA)



DETAIL U
SCALE 30:1

注記 NOTES

1. 使用材料 MATERIAL
ハウジング: ポリアミド、ガラス入り、UL94V-0、色: 自然色 (白)
HOUSING: PA46, UL94V-0, COLOR: NATURAL (WHITE)
ピン: 黄銅 (口0.5)
PIN: BRASS (口0.5)
金具: 黄銅 (t=0.4)
NAIL: BRASS (t=0.4)
2. メッキ仕様 PLATING
ピン PIN
錫 2.0マイクロメートル
TIN 2.0MICROMETER MINIMUM
下地メッキ: 銅メッキ 1.0マイクロメートル
UNDER PLATING: COPPER 1.0MICROMETER MINIMUM
金具 NAIL
錫 2.0マイクロメートル
TIN 2.0MICROMETER MINIMUM
下地メッキ: ニッケルメッキ 1.0マイクロメートル
UNDER PLATING: NICKEL 1.0MICROMETER MINIMUM

⚠ (全極数/2) = 偶数の場合に適用。
APPLY FOR (CIRCUIT/2)=EVEN

4. 嵌合相手: 51242-***00
MATE WITH: 51242-***00
5. テール平坦度は、0.1以下
テール及び金具の平坦度は、0.1以下
TAIL COPLANARITY TO BE 0.1MAXIMUM.
TAIL AND FITTING NAIL
COPLANARITY TO BE 0.1 MAXIMUM.

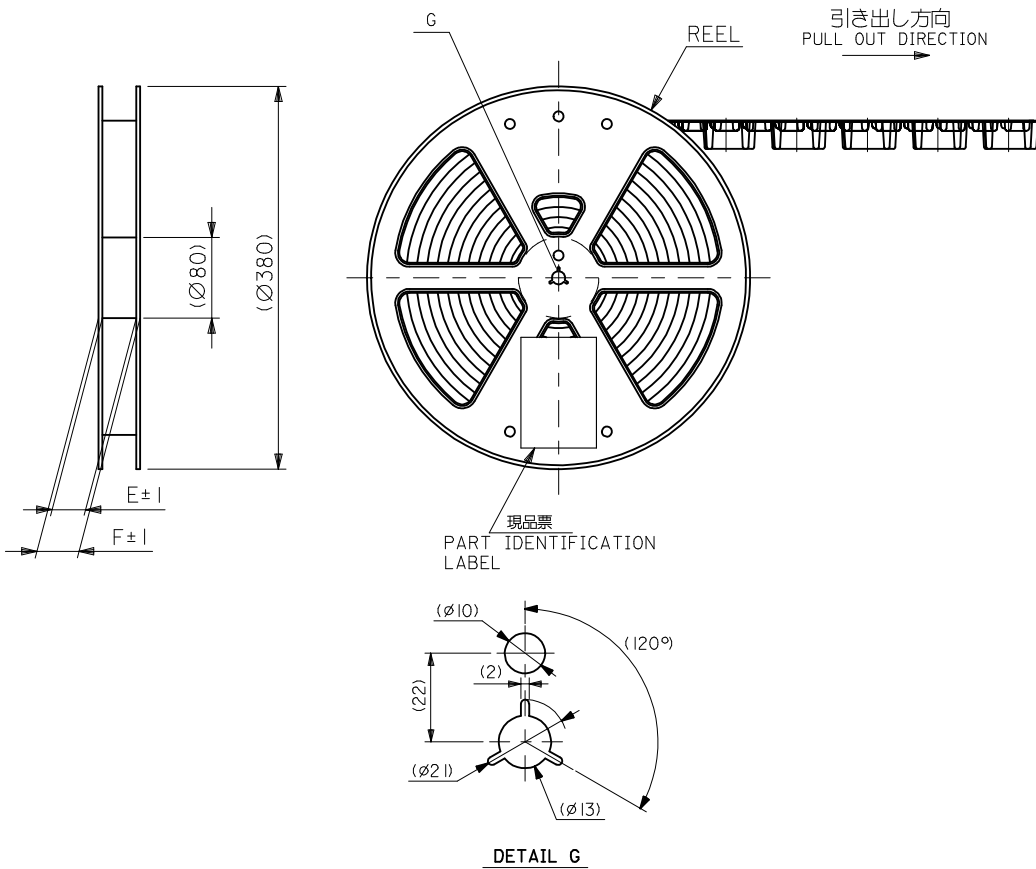
⚠ 製品番号
MATERIAL NO.
55763-***8*

極数 CIRCUIT SIZE	色 COLOR	ナチュラル (白) NATURAL (WHITE)	0
		赤 RED	2

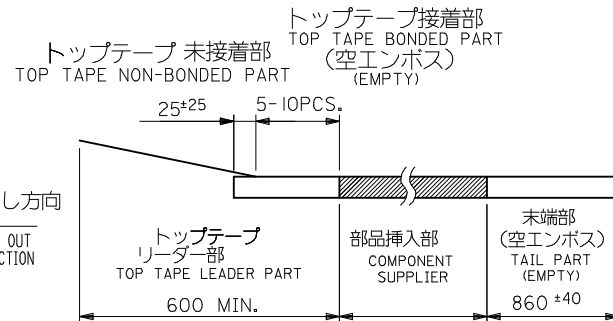
7. 本製品は 55763-*** の鉛フリー品である。
THIS PRODUCT IS LEAD FREE OF 55763-***

MODEL NO. 55763-***8*

REVISED EC NO: J2010-2017 2010/04/07 DRWN: NITO 2010/04/09 CHKD: TOJO 2010/04/12 APPR: NUKITA	DESCRIPTION REV	GENERAL TOLERANCES (UNLESS SPECIFIED)		DIMENSION STYLE MM ONLY		SCALE ---	DESIGN UNITS METRIC	MODEL NO. 55763-***8*	
		10 UNDER	± ---	DRAWN BY M. NAGATA	DATE 2004/02/10	TITLE 2.0MM W-TO-B DUAL CONN PLUG HOUSING ASS'Y -LEAD FREE-			
		10 OVER 30 UNDER	± ---	CHECKED BY K. TOJO	DATE 2004/02/10	MOLEX INCORPORATED			
		30 OVER	± ---	APPROVED BY M. SASAO	DATE 2004/02/10	DOCUMENT NO. SD-55763-006 SHEET NO. 2 OF 2			
ANGULAR ± --- ° DRAFT WHERE APPLICABLE MUST REMAIN WITHIN DIMENSIONS		SEE CHART		THIS DRAWING CONTAINS INFORMATION THAT IS PROPRIETARY TO MOLEX INCORPORATED AND SHOULD NOT BE USED WITHOUT WRITTEN PERMISSION					



- NOTES
1. 梱包数量：300個/リール
NUMBER OF CONNECTORS : 300PCS/REEL
 2. リードテープ長さ
LEAD TAPE LENGTH



3. トップテープの剥離強度：0.1N ~ 1.3N (10 ~ 130gf)
<剥離速度：300mm/min (参考)> (剥離方向は下図参照)
PEELING OFF FORCE OF TOP TAPE : 0.1N ~ 1.3N (10 ~ 130gf)
(PEELING DIRECTION AS SHOWN IN FOLLOWING FIG.)
PEELING OFF SPEED : 300mm/min. (REF.)



4. 材料 キャリアテープ：ポリプロピレン (PP)
トップテープ：PET、PE、PEF
リール：ポリスチレン (PS) <リサイクル材を含む>
MATERIAL CARRIER TAPE : POLYPROPYLENE
TOP TAPE : PET, PE, PEF
REEL : POLYSTYREN(PS) <RECYCLE MATERIAL CONTAINED>

5. 欠損無きこと。
THERE MUST NOT BE LOSS.

△ 製品番号
MATERIAL NO.

55763-***7*

極数 CIRCUIT SIZE

色 COLOR

ナチュラル(白) NATURAL(WHITE)	0
赤 RED	2

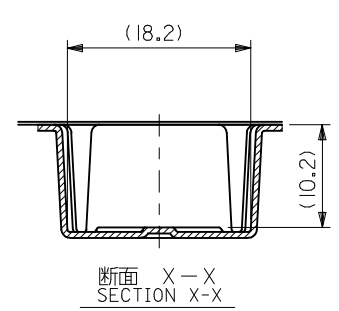
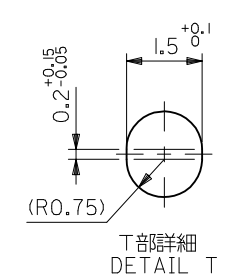
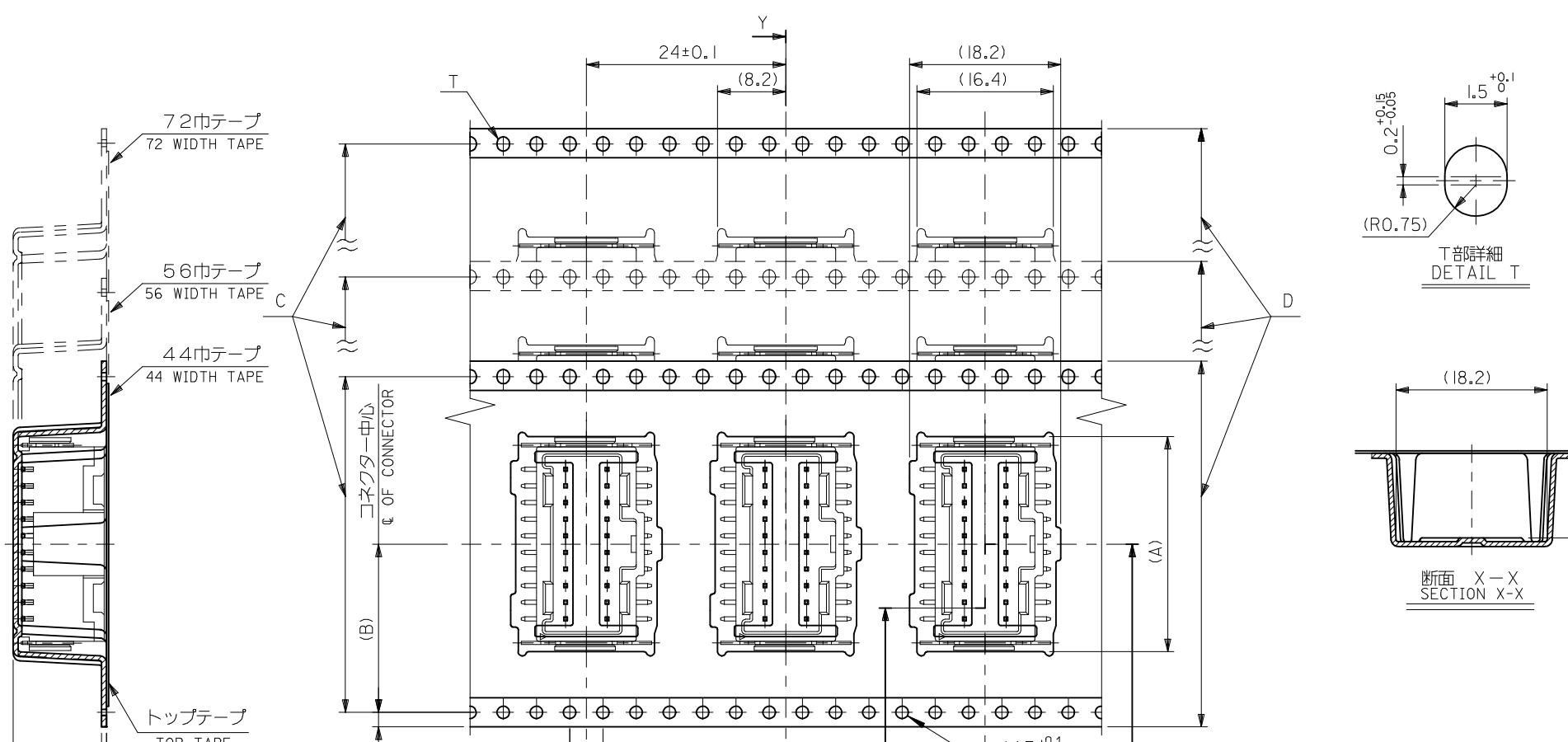
7. 本製品は 55763-***9* の鉛フリー品である。
THIS PRODUCT IS LEAD FREE OF 55763-***9*.

MODEL NO. 55763-***7*

8. 本製品は乾燥剤入り、ハイバリア梱包仕様である。
開梱後の保管条件に注意して下さい。(PS-51242-002参照)
HIGH BARRIER PACKAGING INCLUDING DESICCANT.
NOTE THE CONDITION OF THE OPEN PACKAGE.
(REFER TO PS-51242-002)

REVISED EC NO: J2014-0008 DRWN: NITO 2013/07/01 CHKD: KASAKAWA 2013/07/01 APPR: NUKITA 2013/07/02	DESCRIPTION	GENERAL TOLERANCES (UNLESS SPECIFIED)		DIMENSION STYLE MM ONLY		SCALE ---	DESIGN UNITS METRIC	THIRD ANGLE PROJECTION	
		10 UNDER	±0.2	DRAWN BY M. NAGATA	DATE 2004/02/10	TITLE 2.0MM W-TO-B DUAL CONN ASS'Y EMBSTP PKG HIGH BARRIER			
		10 OVER 30 UNDER	±0.25	CHECKED BY K. TOJO	DATE 2004/02/10				
		30 OVER	±0.3	APPROVED BY M. SASAO	DATE 2004/02/10				
REV		ANGULAR ±3 °	DRAFT WHERE APPLICABLE MUST REMAIN WITHIN DIMENSIONS	MATERIAL NO. SEE SHEET 2		DOCUMENT NO. SD-55763-007		SHEET NO. 1 OF 2	
SIZE A3 THIS DRAWING CONTAINS INFORMATION THAT IS PROPRIETARY TO MOLEX INCORPORATED AND SHOULD NOT BE USED WITHOUT WRITTEN PERMISSION									

10 9 8 7 6 5 4 3 2 1



RED	61.4	57.4	56±0.3	52.4	26.25	35.9	55763-3072	30
NATURAL	77.4	73.4	72±0.3	68.4	34.25	45.9	55763-4070	40
NATURAL	61.4	57.4	56±0.3	52.4	26.25	35.9	55763-3070	30
NATURAL	49.4	45.4	44±0.3	40.4	20.25	25.9	55763-2070	20
COLOR	F	E	キャリアテープ幅 CARRIER TAPE WIDTH	C	(B)	(A)	製品番号 MATERIAL NO.	極数 CIRCUITS
							MODEL NO. 55763-***7*	

REVISED EC NO: J2014-0008 DRWN: NITO 2013/07/01 CHKD: KASAKAWA 2013/07/01 APPR: NUKITA 2013/07/02	GENERAL TOLERANCES (UNLESS SPECIFIED)		DIMENSION STYLE MM ONLY		SCALE 2:1	DESIGN UNITS METRIC	THIRD ANGLE PROJECTION	
	10 UNDER	±0.2	DRAWN BY M. NAGATA	DATE 2004/02/10	TITLE 2.0MM W-TO-B DUAL CONN ASS'Y EMBSTP PKG			
	10 OVER 30 UNDER	±0.25	CHECKED BY K. TOJO	DATE 2004/02/10				
	30 OVER	±0.3	APPROVED BY M. SASAO	DATE 2004/02/10				
ANGULAR	±3 °	MATERIAL NO.		DOCUMENT NO.		SHEET NO.		
DRAFT WHERE APPLICABLE MUST REMAIN WITHIN DIMENSIONS		SEE TABLE		SD-55763-007		2 OF 2		
		THIS DRAWING CONTAINS INFORMATION THAT IS PROPRIETARY TO MOLEX INCORPORATED AND SHOULD NOT BE USED WITHOUT WRITTEN PERMISSION						

9 8 7 6 5 4 3 2