

4

3

2

1

THIS DRAWING IS UNPUBLISHED  
VERTRAULICHE UNVERÖFFENTLICHE ZEICHNUNG

RELEASE FOR PUBLIKATION  
FREI FUER VERÖFFENTLICHUNG ,2000

MATED WITH:  
PASSEND ZU:  
BG5

LOC AI  
DIST -

REVISIONS  
ÄNDERUNGEN

© COPYRIGHT 2000

BY AMP INCORPORATED

ALL RIGHTS RESERVED  
ALLE RECHTE VORBEHALTEN

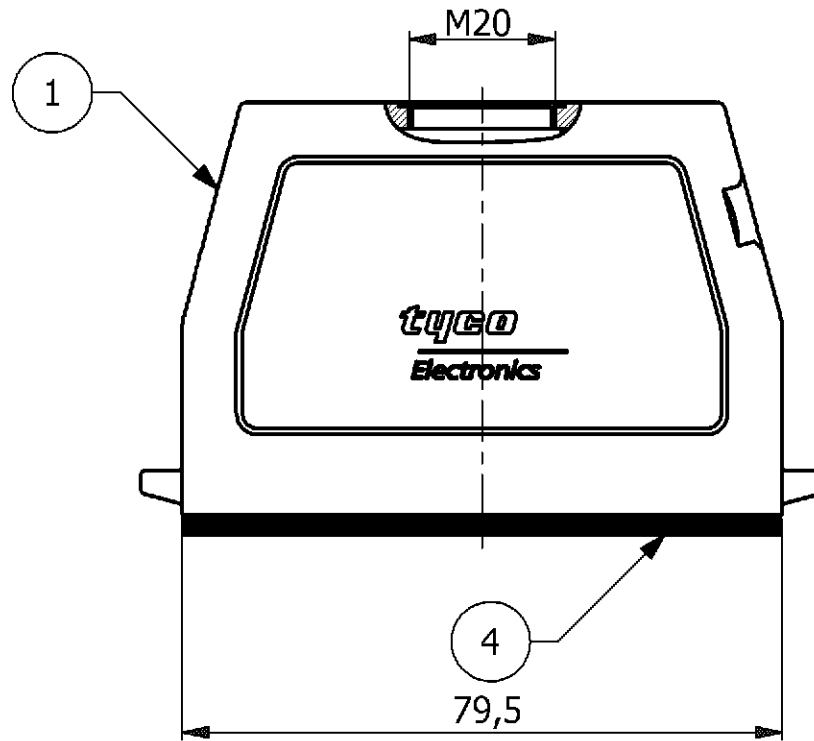
PROJECT NR.  
EGGMA05416

P LTR

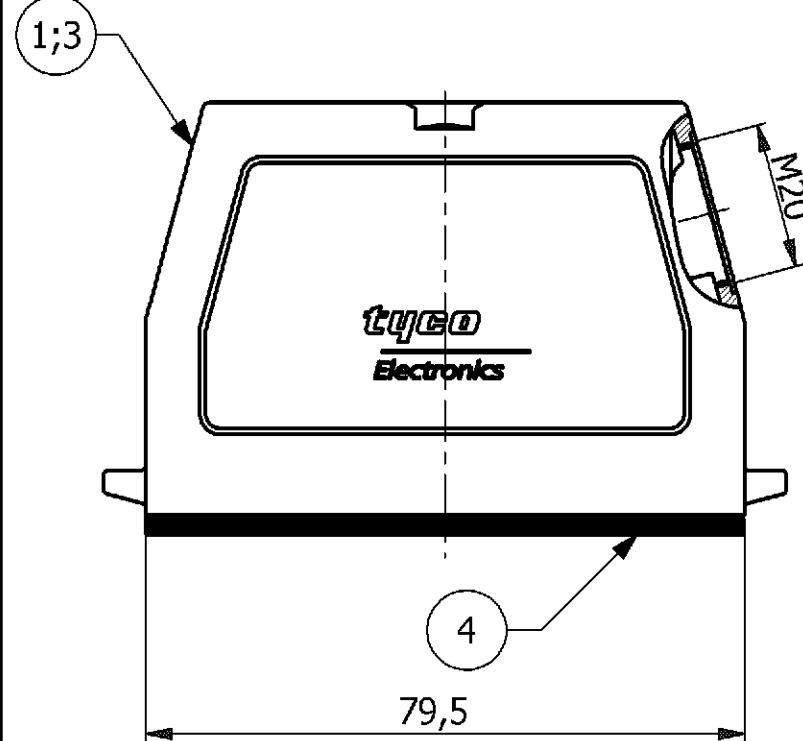
C1 AS PER ECR-07-012982

DESCRIPTION  
BESCHREIBUNG

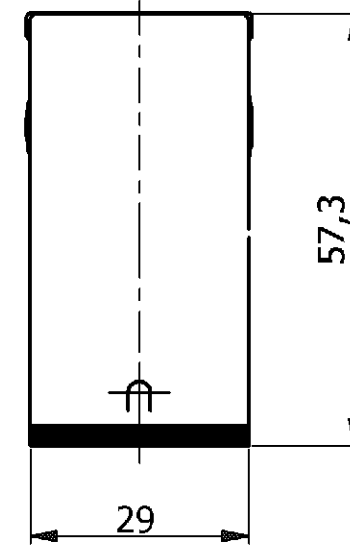
DATE 5/28/2007  
DWN PB  
APVD ST



PN 0-1 & 0-6 as shown

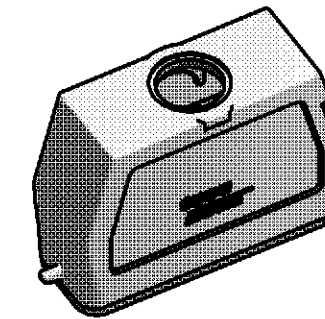


PN 0-2, 0-4 & 0-7 as shown

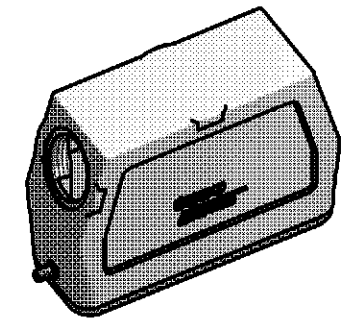


NOTES

- 1 PACKAGING QUANTITY: 5 PIECES PER BOX
- 2 MATERIAL: SEE TABLE
- 3 SURFACE: -GREY  
- VARNISH BLACK
- 4 VARNISH ON THE INSIDE NOT NECESSARY



PN 0-1 & 0-6



PN 0-2, 0-4 & 0-7

OBSOLETE						DESCRIPTION	MATERIAL	SURFACE	COLOR	ITEM NO.	REMARKS
1	1	1	1	1	1	Profile Seal	Neoprene	-	Black	4	-
-	-	-	1	-	-	HA Hood	Aluminium	HC	Black	3	-
-	-	1	-	-	-	HA Hood	Aluminium	-	Black	2	-
1	1	-	-	1	1	HA Hood	Aluminium	-	Grey	1	-
						ORDERING TEXT					
						HA.16.STO.1.M20.G					
						HA.16.STS.1.M20.G					
						HA-K.16.STS.1.M20.G					
						HA.16.STS.1.M20.G					
						HA.16.STO.1.M20.G.KM					
						HA.16.STS.1.M20.G.KM					

DIMENSIONS: DIMENSIONEN: mm		TOLERANCES UNLESS OTHERWISE SPECIFIED: ALLGEMEINTOLERANZEN		DWN P.BENNUR 2/24/2006 CHK R.SRINIVAS 2/24/2006 APVD T.SCHNURPFEL 2/24/2006		Tyco / Electronics AMP GmbH D - 53819 Neunkirchen	
		n. ISO 8015 - m H E n. ISO 2768 - 140 n. DIN 16901-		PRODUCT SPEC. PRODUKTSPEZ. 108-74009 APPLICATION SPEC. VERARBEITUNGSSPEZ. 114-74001		NAME HOOD HA.16.STS/STO.1.M20.G	
MATERIAL		FINISH / OBERFLÄCHE / FARBE		WEIGHT GEWICHT -		SIZE A3 CAGE CODE 00779 DRAWING NO. 1106439 RESTRICTED TO NUR FUER	
CUSTOMER DRAWING / KUNDENZEICHNUNG				SCALE MASSSTAB 1:1 SHEET BLATT 1 OF VON 1 REV. C1			