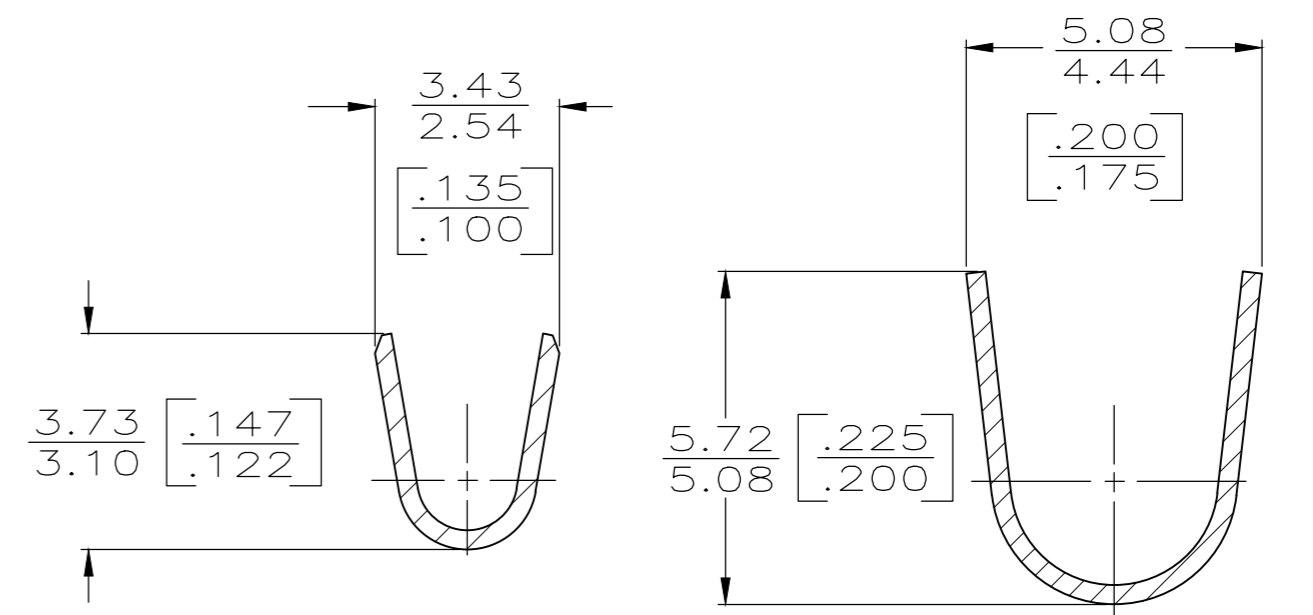
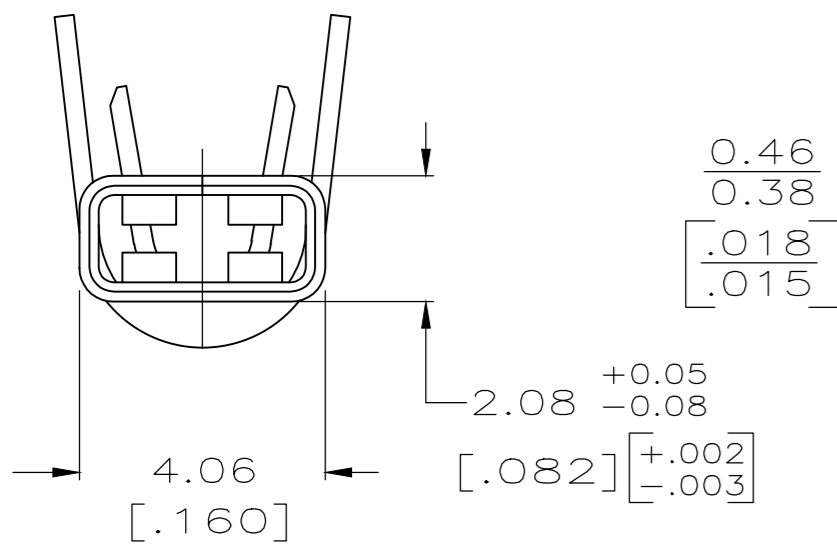
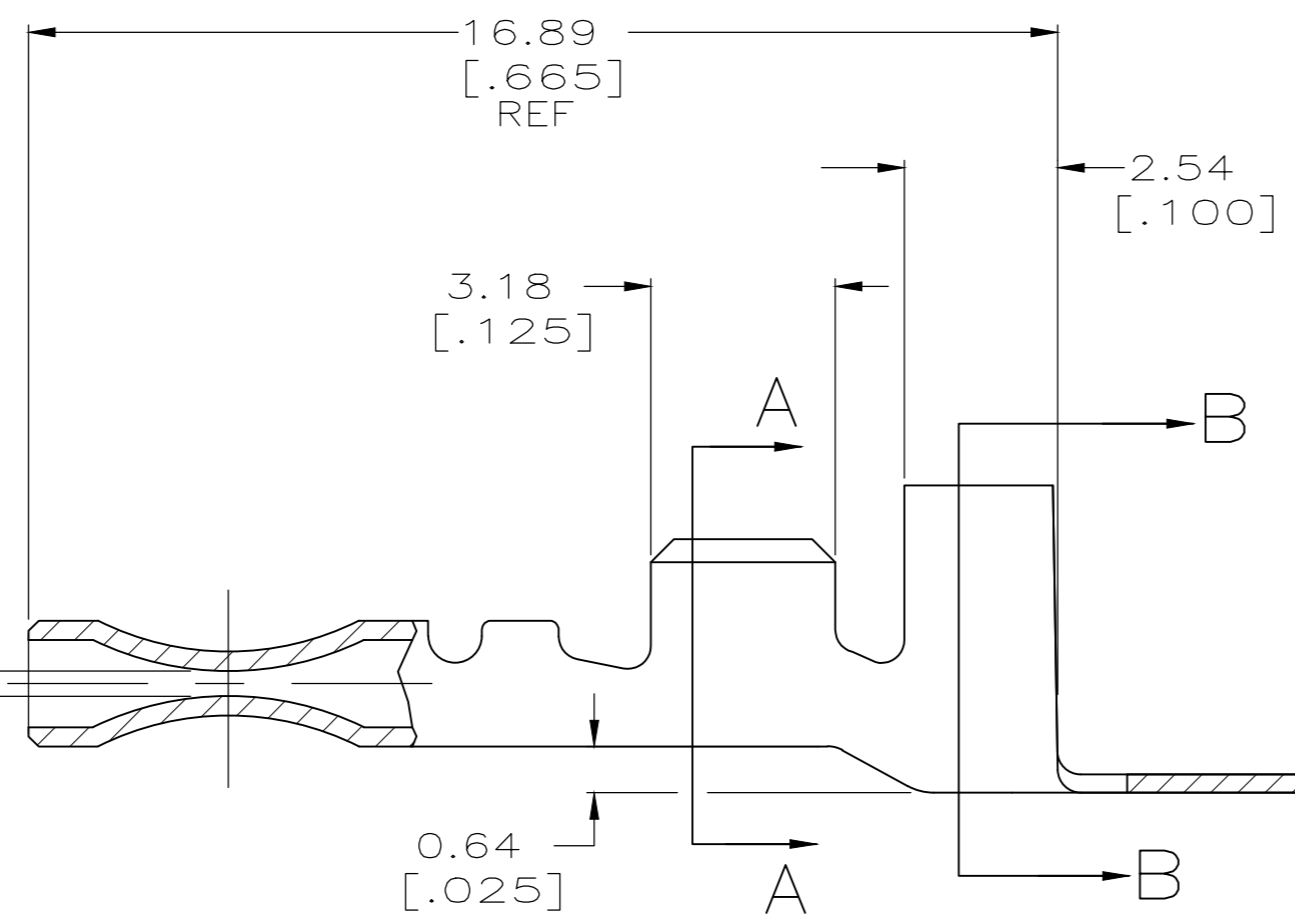
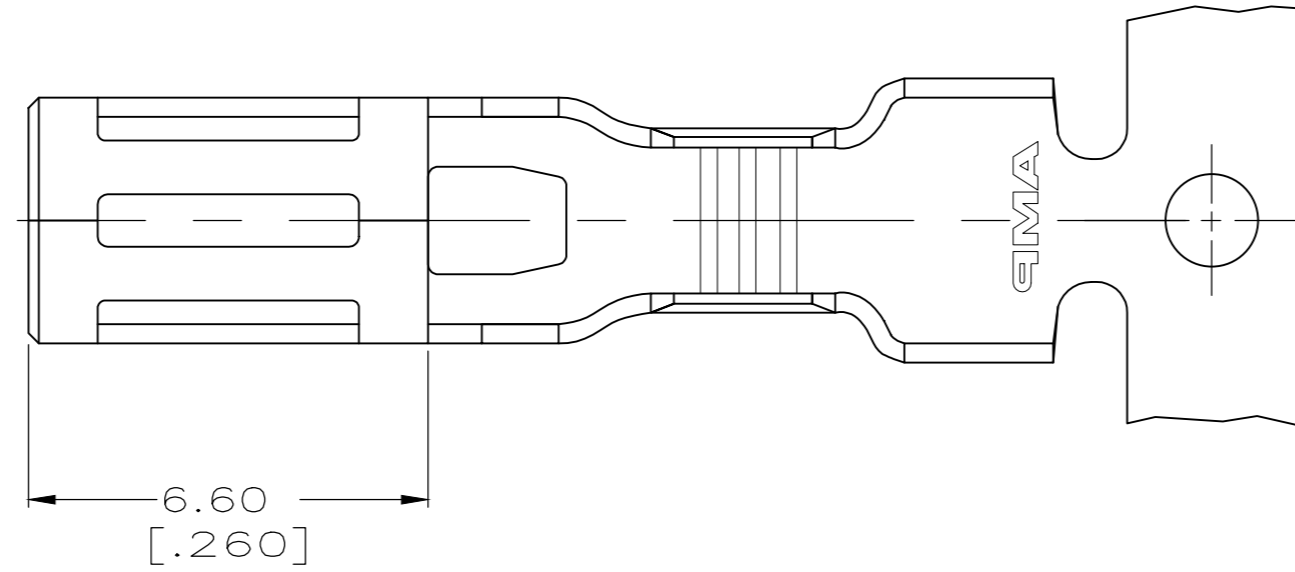


THIS DRAWING IS UNPUBLISHED. RELEASED FOR PUBLICATION
 © COPYRIGHT - TE Connectivity Ltd. ALL RIGHTS RESERVED.

REVISIONS				
P	LTR	DESCRIPTION	DATE	APVD
H4		REVISED PER ECR 18-008253	12JUL18	MD TD

- 1 CONTINUOUS STRIP ON REELS.
- △2 (1) 0.8mm²[#18] AWG - 2.84 [.112] AND
(1) 1.3mm²[#16] AWG - 3.12 [.123] MAX DIA.
- △3 0.003302 [.000130] MAX PRE-TIN PLATE.
- △4 SPECIAL LUBRICANT.
- △5 PRELIMINARY - NOT FOR PRODUCTION.
- △6 NICKEL PLATED.
- △7 PRODUCT SPECIFICATION DOES NOT APPLY TO PART NUMBER 770642-3



OBSOLETE

				-770642-4-
△6	△4	△2	0.5 -2.0mm [20-14] AWG	770642-3
△3	△4	△2	0.5 -2.0mm ² [20-14] AWG	△5 770642-2
△3	-	△2	0.5 -2.0mm ² [20-14] AWG	770642-1
FINISH	LUBRICANT	INSULATION RANGE	WIRE RANGE	PART NUMBER
THIS DRAWING IS A CONTROLLED DOCUMENT.		DWN MICHAEL S. FEHER 02FEB2004 CHK DONALD F. DECKER 02FEB2004 APVD DONALD F. DECKER 02FEB2004	TE Connectivity Ltd.	
DIMENSIONS: mm [INCHES]	TOLERANCES UNLESS OTHERWISE SPECIFIED:	PRODUCT SPEC 108-1271 △7	NAME: TERMINAL, TIMER CONNECTOR	
0 PLC ± - 1 PLC ± - 2 PLC ± 0.25 [.010] 3 PLC ± - 4 PLC ± - ANGLES ± -	SEE TABLE	APPLICATION SPEC 114-49003	SIZE A2	CAGE CODE 00779
MATERIAL H06 BRASS	FINISH	WEIGHT 0,000000	DRAWING NO C=770642	RESTRICTED TO -
CUSTOMER DRAWING			SCALE 8:1	SHEET 1 of 1 REV H4