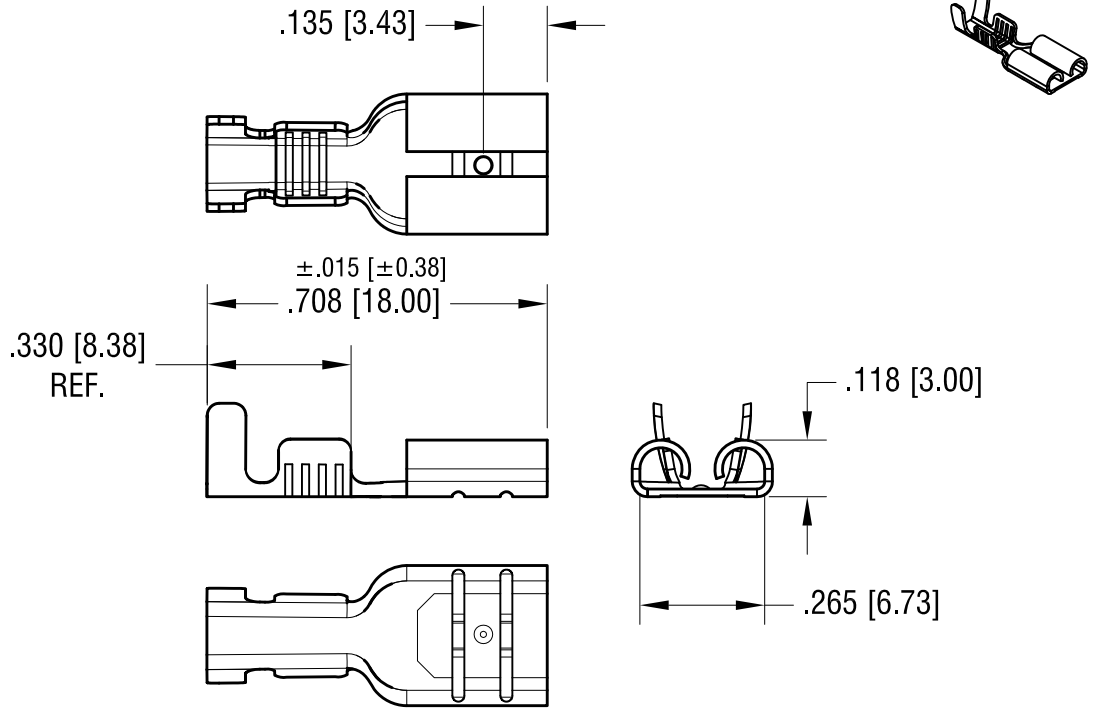


THIS DOCUMENT IS THE PROPERTY OF
KEYSTONE ELECTRONICS CORP. AND
SHALL NOT BE REPRODUCED, DISTRIBUTED
OR USED AS A BASIS FOR MANUFACTURE
WITHOUT PRIOR WRITTEN PERMISSION
FROM KEYSTONE ELECTRONICS CORP.

ACTUAL SIZE



NOTES:

- DESIGNED FOR .250 [6.35] x
.032 [0.81] TAB

KEYSTONE ELECTRONICS CORP.			
www.keyelco.com • NEW HYDE PARK, NY 11040 • Tel (516) 328-7500			
PART NAME		.250 x .032 QUICK-FIT TERMINAL	
MATERIAL		.016 [0.41] TH'K BRASS	
FINISH	TIN PLATE	DRN BY	BOONE
		APP'D	RH
		DATE	11.09.07
		SCALE	2.5X
TOLERANCES	INCH [MM]	CODE	DWG NO.
DECIMAL	± .010 [± 0.25]	C	4470
ANGULAR	± 1°		
UNLESS OTHERWISE SPECIFIED			

4.04.23	UPDATE PER NEW TOOLING CHANGE AS PER ECN 23-044	A
DATE	DESCRIPTION	REV.