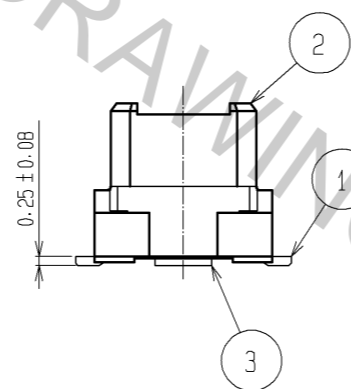
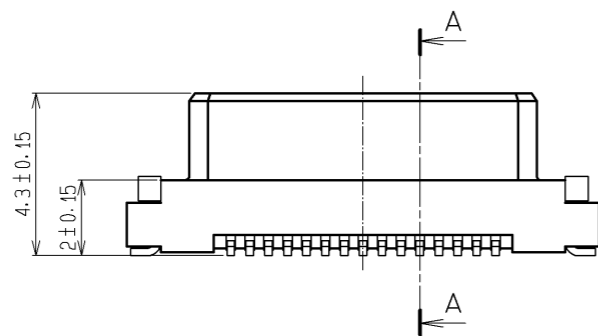
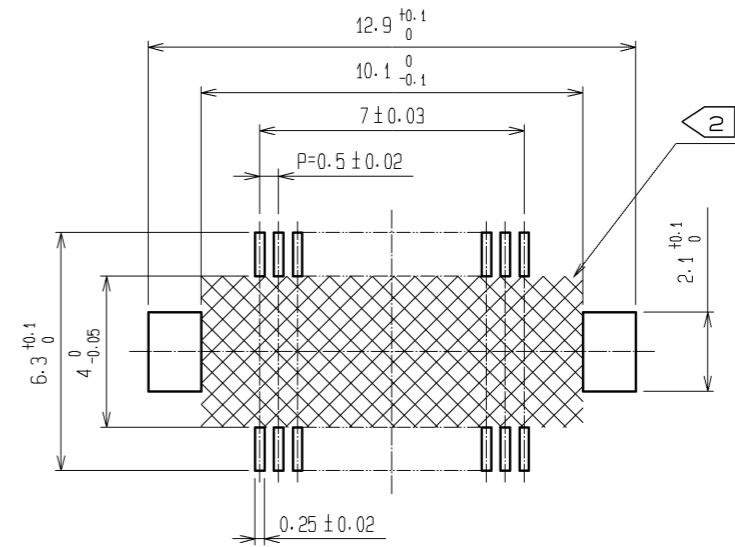
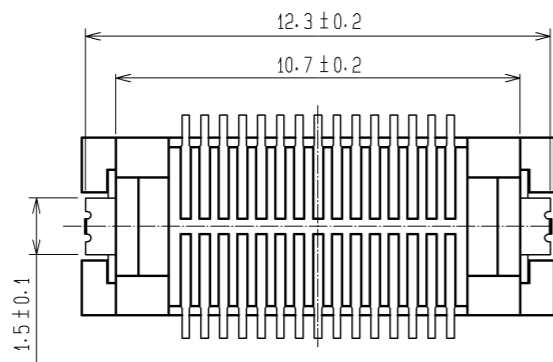
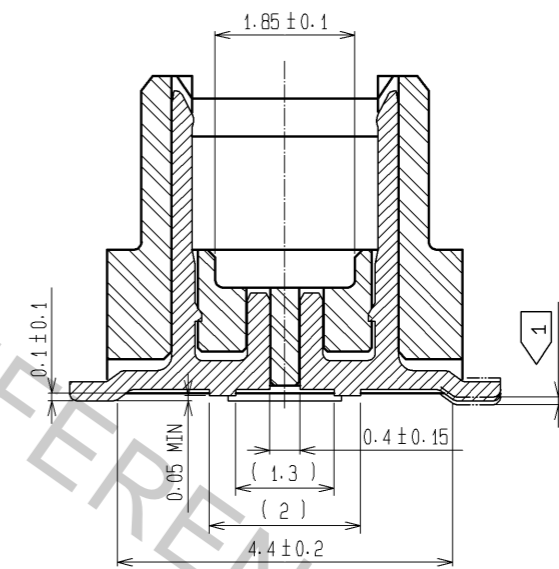


RECOMMENDED PATTERN

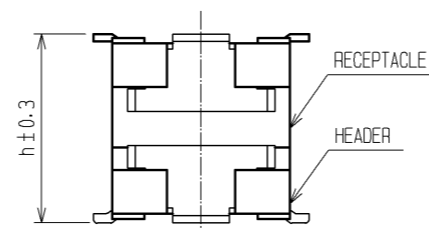


A-A(10:1)



- NOTES
- ① LEAD CO-PLANARITY INCLUDE REINFORCED METAL FITTINGS SHALL BE 0.1mm MAX .
  - ② WHEN A PART MARKED WITH HAS A PATTERN BUT NO RESIST ON IT. TAKE CARE TO PREVENT THE CONNECTOR FROM TOUCHING IT.

MATED HIGHT (h)		(mm)	
RECEPTACLE NO.	HEADER NO.	RECEPTACLE NO.	HEADER NO.
DF17#(3.0)-30DS-0.5V(57)	5	DF17#(4.0)-30DS-0.5V(57)	6
DF17B(2.0)-30DP-0.5V(57)	5		6



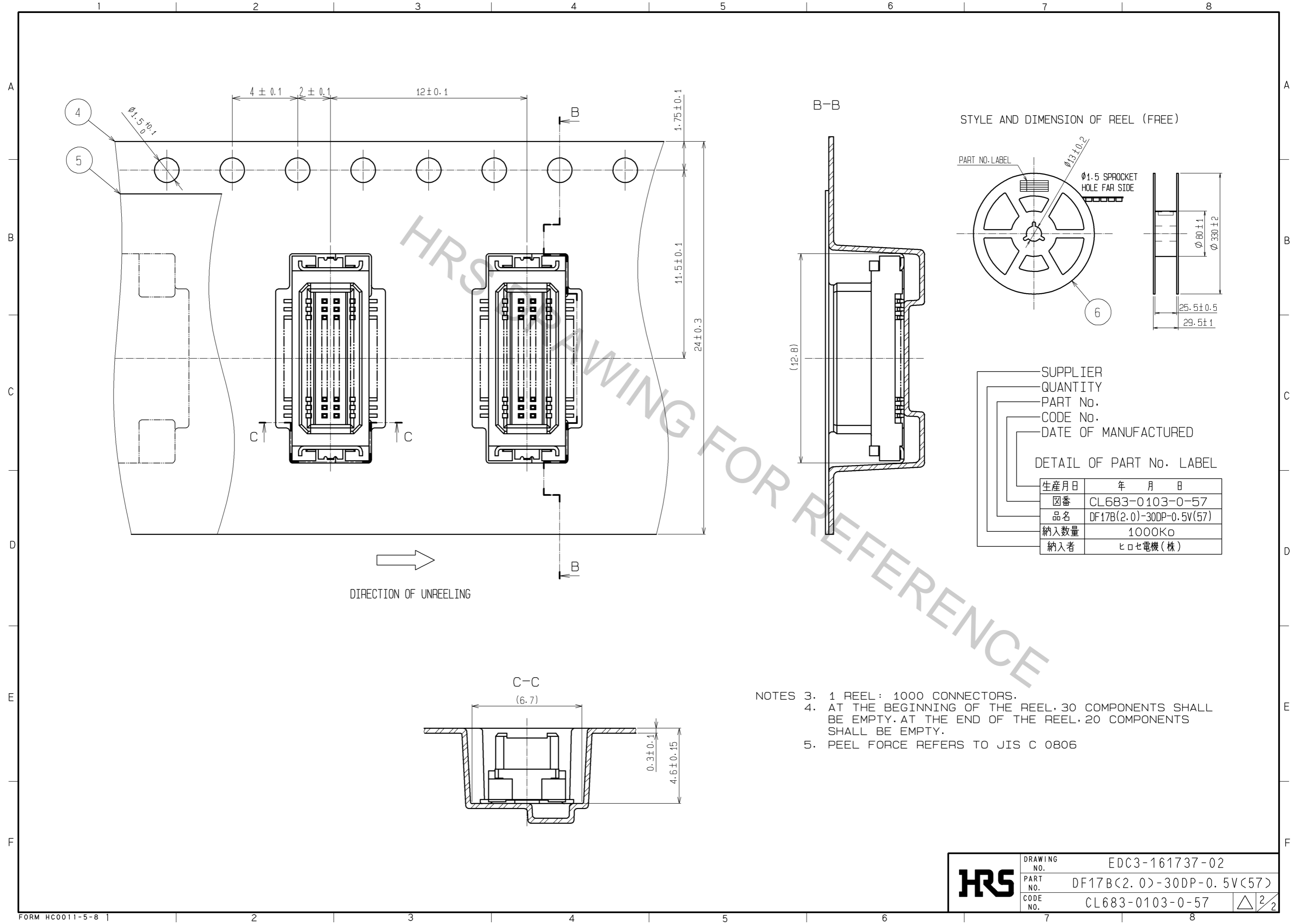
NO.	MATERIAL	FINISH . REMARKS	NO.	MATERIAL	FINISH . REMARKS
2	POLYAMIDE (PA6T)	WHITE BEIGE . UL94V-0	6	PS	PLASTIC REEL . BLACK
1	PHOSPHER BRONZE	CONTACT AREA:GOLD PLATED 0.1#m min	5	POLYESTER	CLEAR (COVER TAPE)
		LEAD AREA:TIN PLATED 1#m min	4	A-PET	CLEAR(EMBOSSD CARRIER TAPE)
		UNDER PLATING:NICKEL PLATED 1#m min	3	PHOSPHER BRONZE	TIN PLATED : 1#m min UNDER PLATING:NICKEL PLATED 1#m min

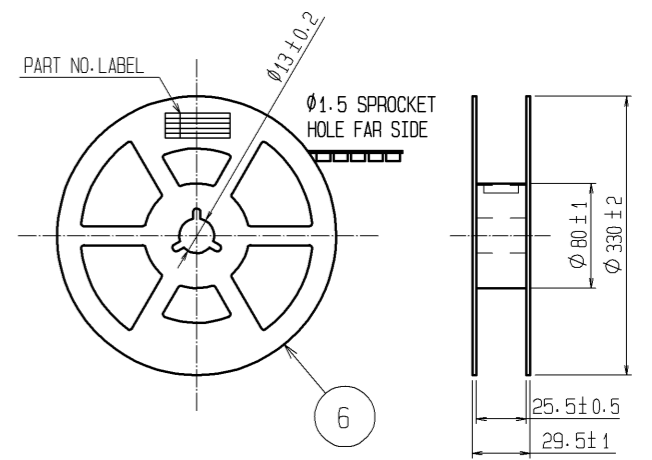
UNITS	SCALE	COUNT	DESCRIPTION OF REVISIONS	DESIGNED	CHECKED	DATE
mm	5 : 1	△	APPROVED : KH. IKEDA 08.09.16			
			CHECED : TS. MIYAZAKI 08.09.16			
			DESIGNED : TY. YAMASAKI 08.08.19			
			DRAWN : TY. YAMASAKI 08.08.19			

DRAWING NO.	PART NO.	CODE NO.
EDC3-161737-02	DF17B(2.0)-30DP-0.5V(57)	CL683-0103-0-57



STYLE AND DIMENSION OF REEL (FREE)



SUPPLIER  
QUANTITY  
PART No.  
CODE No.  
DATE OF MANUFACTURED

DETAIL OF PART No. LABEL

生産月日	年 月 日
図番	CL683-0103-0-57
品名	DF17B(2.0)-30DP-0.5V(57)
納入数量	1000K $\phi$
納入者	ヒロセ電機(株)

- NOTES
- 1 REEL: 1000 CONNECTORS.
  - AT THE BEGINNING OF THE REEL, 30 COMPONENTS SHALL BE EMPTY. AT THE END OF THE REEL, 20 COMPONENTS SHALL BE EMPTY.
  - PEEL FORCE REFERS TO JIS C 0806

<b>HRS</b>	DRAWING NO.	EDC3-161737-02
	PART NO.	DF17B(2.0)-30DP-0.5V(57)
	CODE NO.	CL683-0103-0-57
		$\triangle$ 2/2