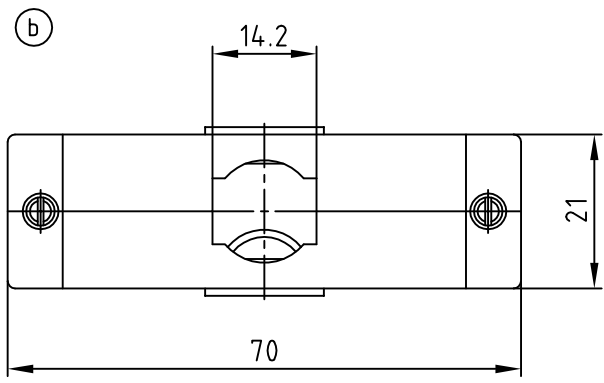
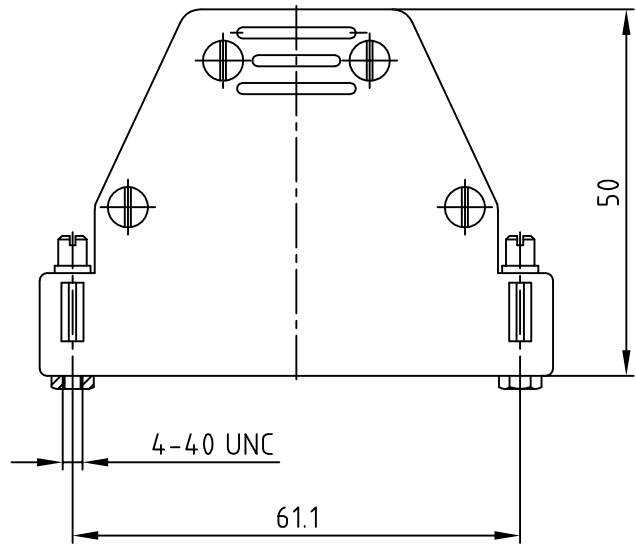


used for: D-SUB



Part NO. Bulk package	Part NO. Single package
165X11049X	165X11049XE

Directive 2002/95/EC
„RoHS“
Compliant

- NOTES:
- HOOD MATERIAL: ABS V0 / METALLIZED
 - SCREWLOCK: MATERIAL: BRASS NICKEL-PLATING

THIS DRAWING MAY NOT BE COPIED OR REPRODUCED IN ANY WAY, AND MAY NOT BE PASSED ON TO A THIRD PARTY WITHOUT WRITTEN PERMISSION.
OWNERSHIP AND COPYRIGHT OF CONEC GmbH
DO NOT ALTER CAD DRAWING BY HAND

				tolerance			
				2002	date	name	
				drawn	04.03.	Schmidt	
				appd.	04.03.	Mickenbecker	
				norm			
				d-old			
1 x c	Ä3792	27.10.2010	K.H.	CONEC [®]			
2 x b	Ä 2286	02.08.2005	HS				
rev.	description	date	name				

scale:	1:1	
material:	SEE NOTES	
title:	Plastic Hood with straight cable exit and screw lock, 50 pos.	
dwg no:	AutoCAD 2000	DIN-A
	16K2A670 (b)	4
		sh: 1/1
part no:	SEE TABLE	

4 3 2 1