



Mallory Sonalert Products, Inc.

Part #: **SC616NPUR**

Sales Outline Drawing

Revision: **A**

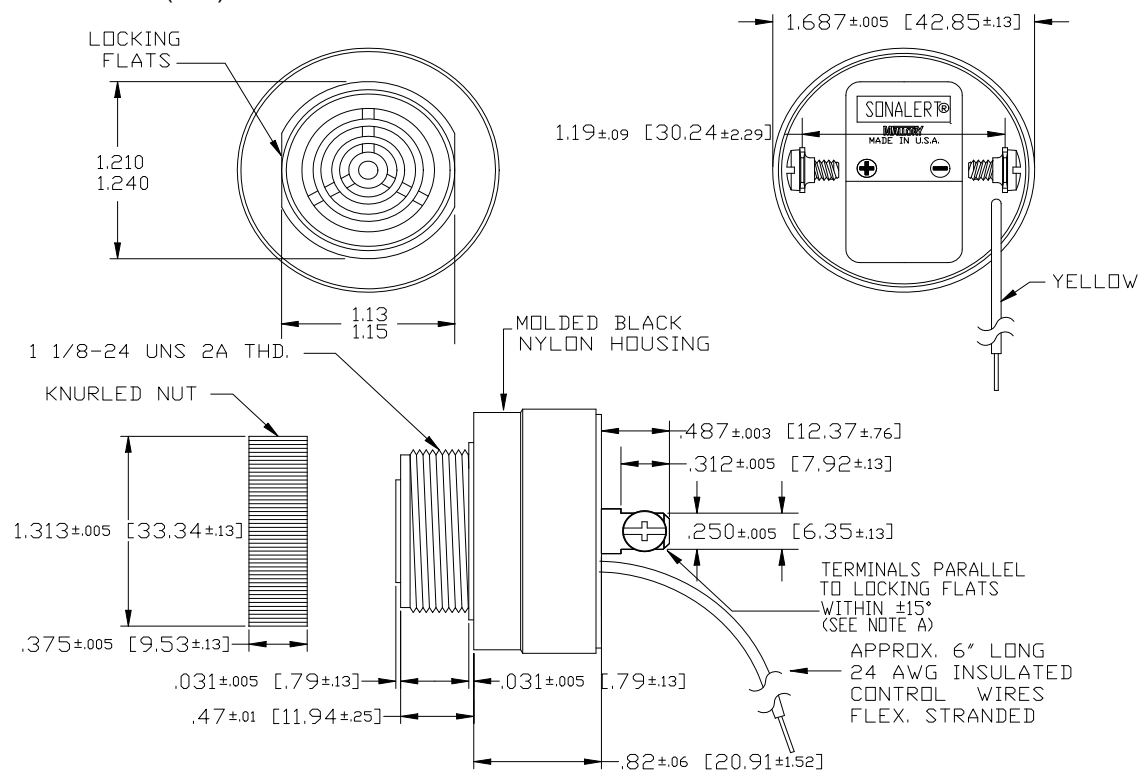
Specifications:

Sound Level Category:	Loud	Loud
Mode of Operation:	Continuous	Fast Pulse @ 50% Duty Cycle
Loudness @ 2 FT:	91 to 103 dB(A) Typ.	91 to 103 dB(A) Typ.
Loudness @ Min Vdc	80 dB(A) @ 2 Feet and 6 Vdc	
Loudness @ Max Vdc	90 dB(A) @ 2 Feet and 16 Vdc	
Pulse Rate (PPS):	N/A	2-10
Frequency:	2900 ± 500 Hz	2900 ± 500 Hz
Connection:	"+" & "-" TERMINALS ONLY	"+" & "-" TERMINALS; Yellow Wire (+)
Voltage Rating:	6 to 16 VDC	
Current Draw:	< 30mA Typ.	
Housing Material:	6/6 Nylon, Color: Black	
Storage Temperature:	-40° to +85° C	
Operating Temperature	-30° to +65° C	
Panel Mounting:	Recommended hole size is 1.25"(31.75mm). Thread front will fit standard 30mm(1.181") hole.	
Knurled Nut:	Used to attach part to panel. The max recommended torque is 10 in-lbs.	
Weight (Typical):	1.6 oz (45g)	
NEMA 3R,4X, & 12:	Approved with use of ACC03.	
Options:	Please contact factory.	

Dimensions:

Inches (mm)

ROHS Compliant



NOTE A: TERMINALS-.032 BRASS TIN PLATED, TAPPED FOR #6-32 SCREW. TWO #6-32 NICKEL PLATED BRASS SCREWS INCLUDED. WILL ACCEPT 1/4" QUICK CONNECT.

NOTE B: MOUNTING- REMOVE BLACK PLASTIC NUT AND INSERT THREADED FRONT THROUGH 1.25" HOLE PUNCHED IN PANEL, IF ORIENTATION IS NEEDED, NOTE LOCKING FLATS ON DRAWING. SCREW NUT BACK ON. DO NOT OVERTIGHTEN.