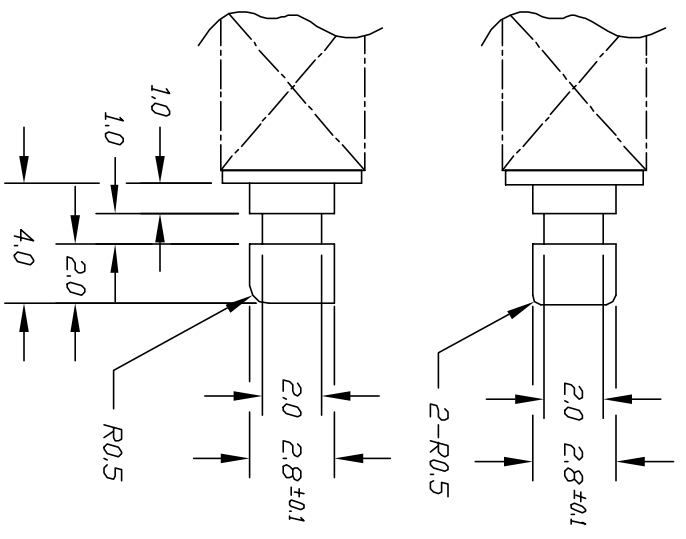
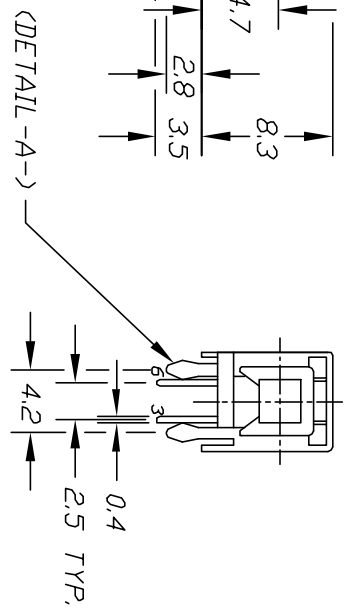
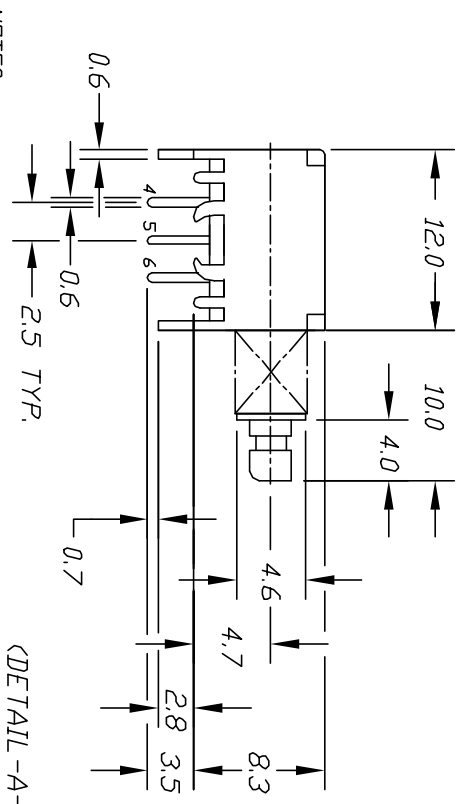
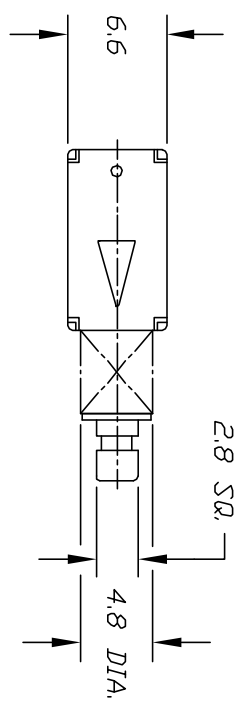


CONTACT CONFIGURATION



NOTES:

1. ALL DIMENSIONS IN MM (IN)
2. TERM. NOS. FOR REF. ONLY
3. RATING: DC 30V, 0.3A
4. OPERATING FORCE: 330±100gf
5. TRAVEL: FULL 3.5mm

REVISED & REDRAWN		DATE	CHKD	TOLERANCES		TITLE	SCALE	DATE	DR	DWG	REV
C				0.0	±0.4	LC 2259 DA N P	2:1	11/7/96	MM	P020100	C
REV.	DESCRIPTION			0.00	±0.25						

THE INFORMATION CONTAINED IN THIS DOCUMENT IS PROPRIETARY TO E-SWITCH AND IS NOT TO BE COPIED OR TRANSMITTED

