

COMPONENTS
FN16443_STELLA-G2-VSM

INDEX	PART	TYPE	MATERIAL	COLOR / COATING
1	F16442_STELLA-G2-VSM	Lens	Dow Corning MS 1002	transparent
2	F13322_STELLA-FRAME	Frame	PA66GF30	black

MECHANICAL DRAWING		LEDiL®
PRODUCT STELLA-G2-VSM		
Tolerances if not otherwise shown According to DIN ISO 2768-1 Linear measures: Up to 30mm class M, otherwise class C. According to DIN ISO 2768-2 Form and position: class L	FIRST ANGLE PROJECTION: 	This drawing is the property of LEDiL Oy. It may not be reproduced, copied or communicated without a written agreement with LEDiL Oy.
SCALE 1:1	WEIGHT 35,87 g	A3 SHEET 1/1

Notes

	1	PCB or heatsink level.
	2	LED location.
	3	Ensure LED fitting from a product specific 3D model available from www.ledil.com .
	4	Cut-out for connector
	5	See installation details in page 2.

H G F E D C B A

4

4

3

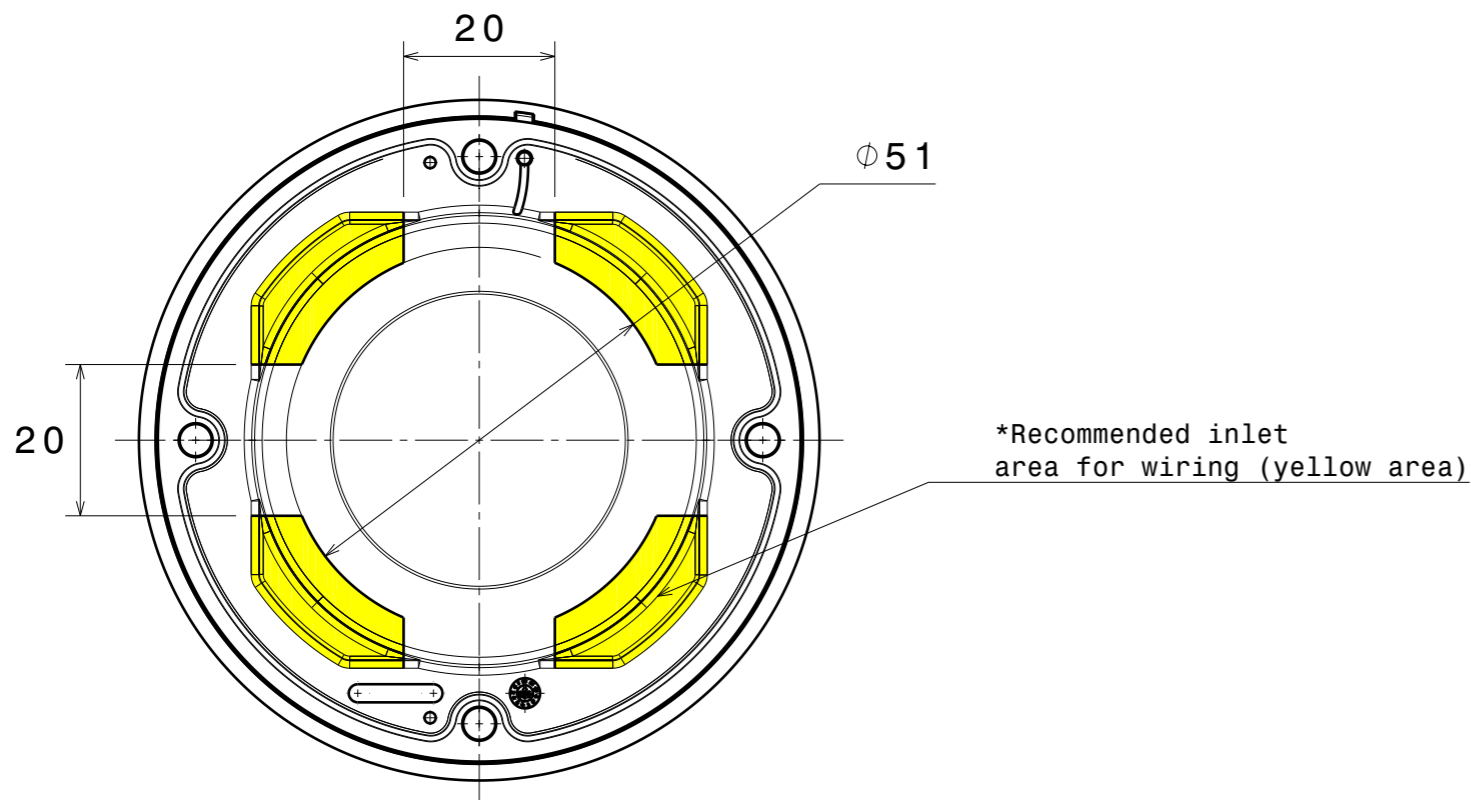
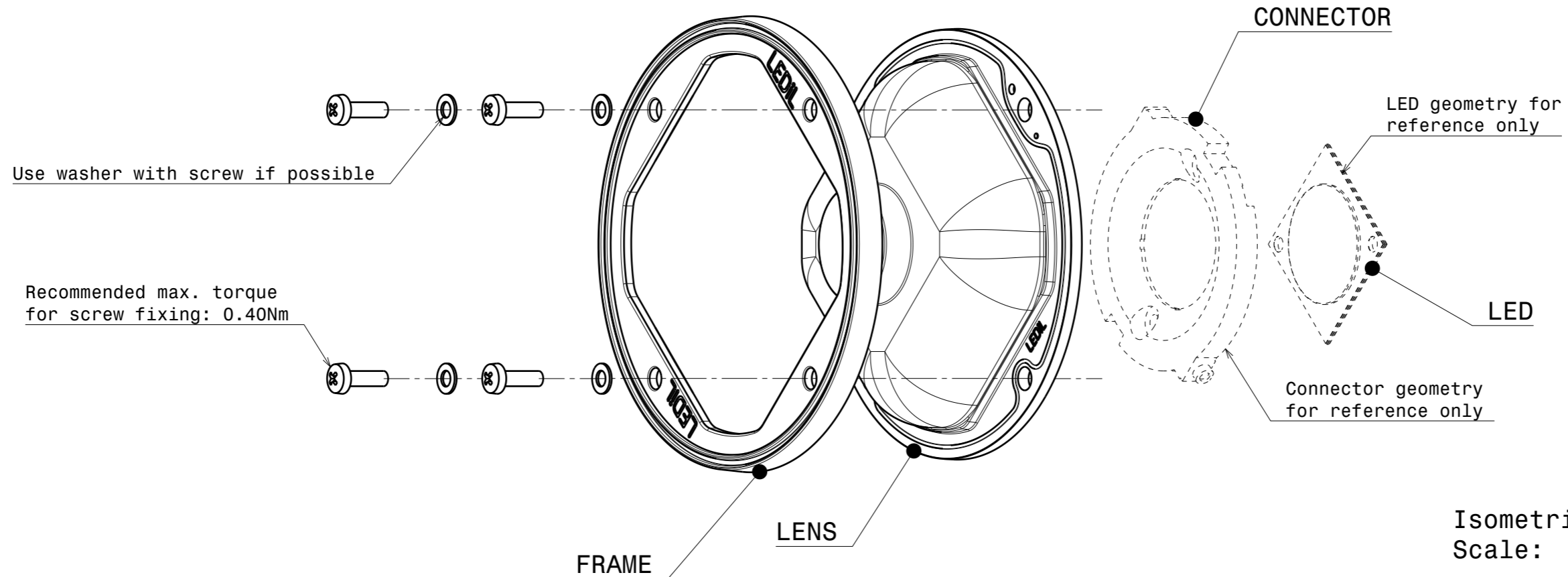
3

2

2

1

1



Notes

*Check suitability and design requirements with the connector model used
For more details about installation please check LEDiL Installation Guide on www.ledil.com

MECHANICAL DRAWING		LEDiL[®]
PRODUCT	STELLA-G2-VSM	
Tolerances if not otherwise shown According to DIN ISO 2768-1 Linear measures: Up to 30mm class M, otherwise class C. According to DIN ISO 2768-2 Form and position: class L	FIRST ANGLE PROJECTION: 	This drawing is the property of LEDiL Oy. It may not be reproduced, copied or communicated without a written agreement with LEDiL Oy.
SCALE	1:1	WEIGHT 35,87 g
		A3 SHEET 1/1

H G B A