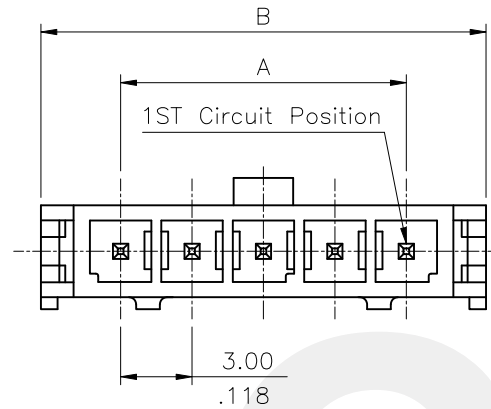


Ordering Code:

CP35 ** P * V 0 0 - S - NH
 ① ② ③ ④ ⑤ ⑥ ⑦ ⑧ ⑨

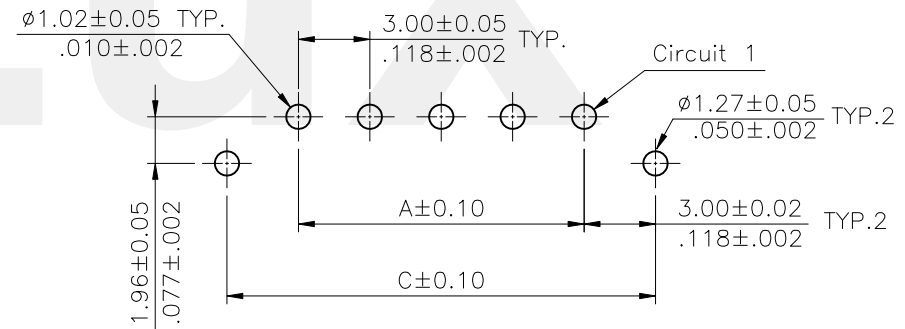
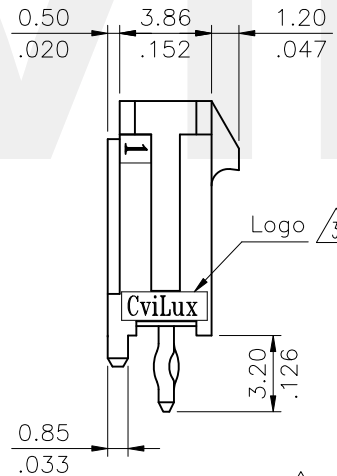
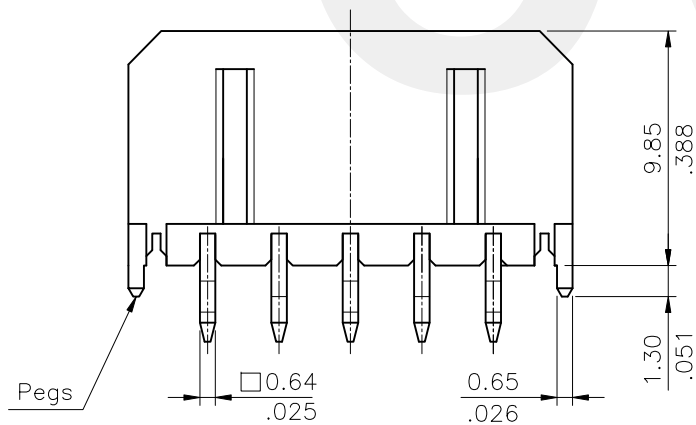
Notes:

- △ 2 * Insulation: High Temperature Plastic UL 94V-0, Color Black
- * Contact: Brass
- * For Lead Free Wave Flow Process



- ① Series No.
- ② No. of Circuits: 02~12
- ③ Contact type: P = Plug
- △ ④ Contact plated:
 - 1 = 3.05 μm (120 μ") Tin over
 - 1.27 μm (50 μ") Nickel
 - 2 = Gold flash plated over 50 μ" Nickel
- ⑤ V = Straight
- ⑥ Mount type : 0 = DIP Type
- ⑦ Other options: 0 = With pegs (Standard)
- ⑧ S = Single Row Header
- ⑨ NH = For Lead Free Wave Flow Process and Halogen-Free

CIRCUITS	DIM.A	DIM.B	DIM.C
2	3.00(.118)	9.65(.380)	9.0(.354)
3	6.00(.236)	12.65(.498)	12.0(.472)
4	9.00(.354)	15.65(.616)	15.00(.591)
5	12.00(.472)	18.65(.734)	18.00(.709)
6	15.00(.591)	21.65(.852)	21.00(.827)
7	18.00(.709)	24.65(.970)	24.00(.945)
8	21.00(.827)	27.65(1.089)	27.00(1.063)
9	24.00(.945)	30.65(1.207)	30.00(1.181)
10	27.00(1.063)	33.65(1.325)	33.00(1.299)
11	30.00(1.181)	36.65(1.443)	36.0(1.417)
12	33.00(1.299)	39.65(1.561)	39.0(1.535)



Recommended P.C. Board layout

odd number Pin No. 1, 3, 5...
 △ even number Pin No. 2, 4, 6...

Halogen-Free Lead Free Process RoHS compliant

SYM	NAME	DATE	REVISIONS	APPROVED BY:	DATE	UNIT: mm / inch	TITLE: 3.00mm PITCH STRAIGHT HEADER POWER CONNECTOR	MATERIAL:	FINISH:	DRAWING NO.	PART NO.	SHEET 1 OF 1
△ 4	Eric	8/3-21'	ECRB121020/ECNT121170									
△ 3	Eric	3/29-21'	ECRT121017/ECNT121085	DRAWN BY:	Eric	8/4-21'	TOLERANCE UNLESS OTHERWISE SPECIFIED					
△ 2	Yushu	4/15-19'	ECRB118091/ECNT119092	ENGINEER:	Sun	8/5-21'	.X ± 0.30/012 X' ± 1'					
△ 1	Karen	5/08-18'	ECNT118100	CHECKED BY:	Eisley	8/6-21'	.XX ± 0.20/008 .X' ±					
				APPROVED BY:	Eisley	8/6-21'	.XXX ± 0.10/004 .XX' ±					

