

THIS DRAWING IS UNPUBLISHED.

RELEASED FOR PUBLICATION

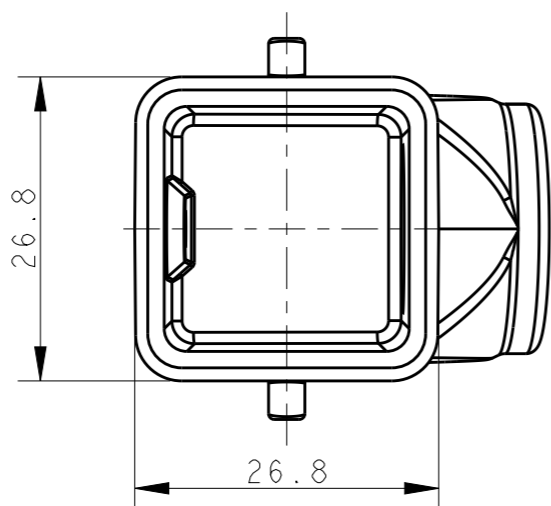
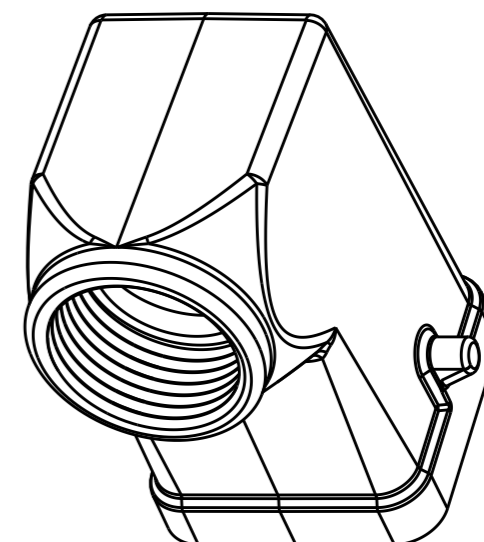
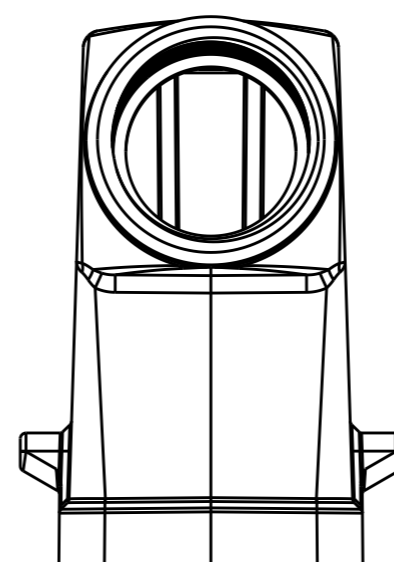
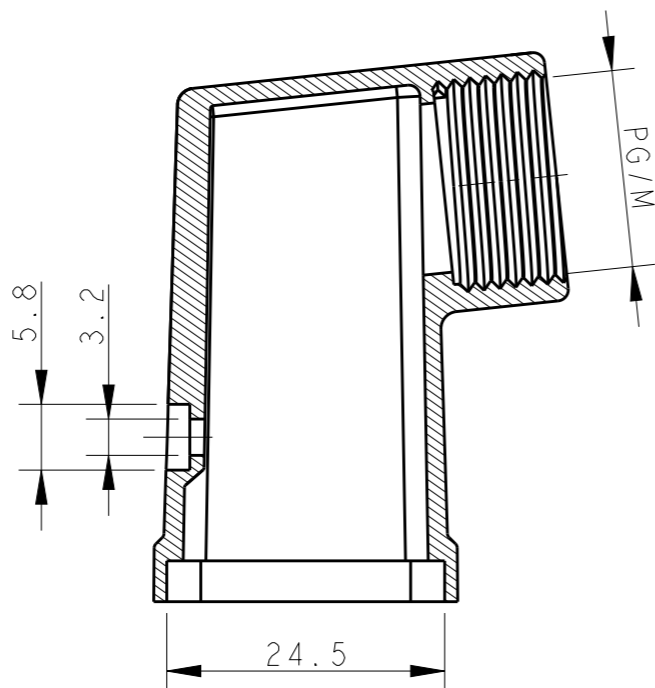
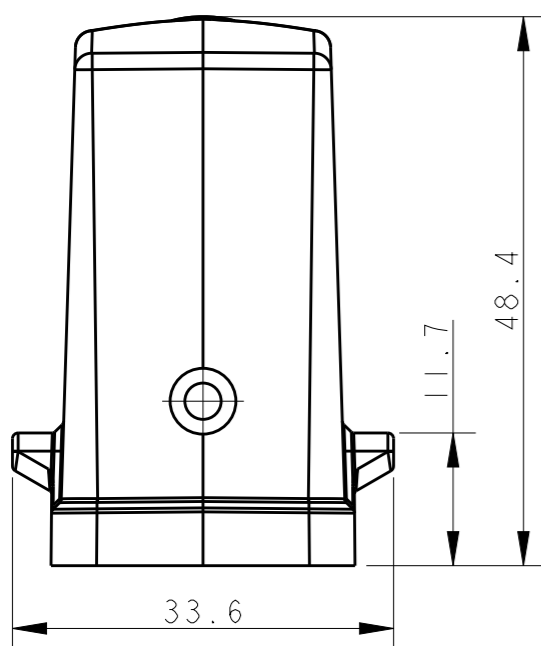
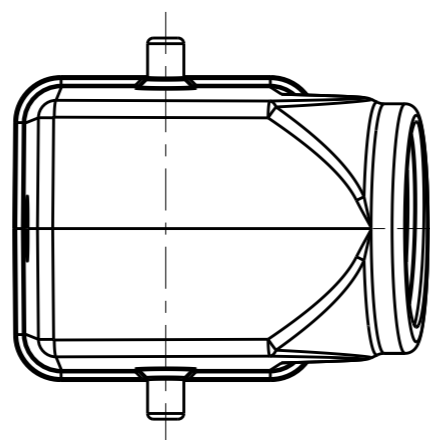
20

© COPYRIGHT 20 BY -

ALL RIGHTS RESERVED.

REVISIONS

P	LTR	DESCRIPTION	DATE	DWN	APVD
	A	INITIAL RELEASE	21APR2015	DL	CW



NOTES:

- 1. TECHNICAL CHARACTERISTICS:
 BODY MATERIAL: DIE CAST ZINC ALLOY
 SURFACE TREATMENT: POWDER-COATED, GRAY
 OPERATION TEMPERATURE: -40-+125°C
 DEGREE OF PROTECTION: IP65 (MATED)

注释:

- 1. 技术参数:
 主体材料: 锌合金
 表面处理: 粉末喷涂, 灰色
 工作温度: -40-+125°C
 防护等级: IP65(配合)

T1319030111-000	H3A-MTS-PG11	PG11
T1319030120-000	H3A-MTS-M20	M20
ASSEMBLY PART NUMBER	ASSEMBLY PART DESCRIPTION	PG/M

THIS DRAWING IS A CONTROLLED DOCUMENT.

DIMENSIONS:	TOLERANCES UNLESS OTHERWISE SPECIFIED:
mm	
	0 PLC ±-
	1 PLC ±-
	2 PLC ±-
	3 PLC ±-
	4 PLC ±-
	ANGLES ±-
MATERIAL	FINISH
-	-
-	-

DWN	21APR2015
DAVID LI	
CHK	21APR2015
CHRIS WANG	
APVD	21APR2015
XU XIANG	
PRODUCT SPEC	108-137012
APPLICATION SPEC	114-137012
WEIGHT	-
CUSTOMER DRAWING	

TE Connectivity			
NAME			
H3A-MTS-PG/M			
SIZE	CAGE CODE	DRAWING NO	RESTRICTED TO
A3	-	©-T13190301XX000	-
SCALE		SHEET	REV
3:2		1 OF 1	A