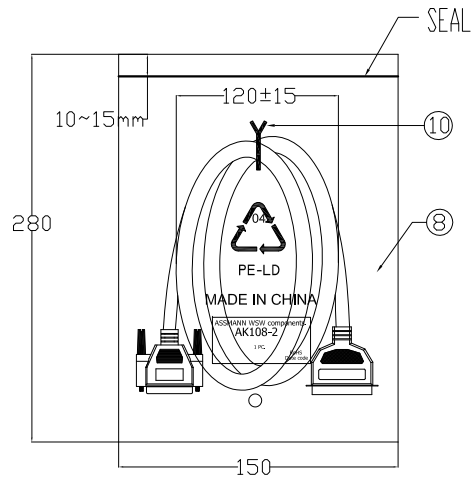


PIN ASSIGNMENT		
P1		P2
1	_____	1
2	_____	2
3	_____	3
4	_____	4
5	_____	5
6	_____	6
7	_____	7
8	_____	8
9	_____	9
10	_____	10
11	_____	11
12	_____	12
13	_____	13
14	_____	14
15	_____	32
16	_____	31
17	_____	36
18	_____	33
19	_____	19
20	_____	21
21	_____	23
22	_____	25
23	_____	27
24	_____	29
25	_____	30
SHELL	_____	SHELL

Electrical test:
 1.100% short,open,miswire test
 2.Conduct resistance:5 Ohm(max)
 3.Insulation resistance:10Mohm(min)
 4.dielectric test:DC 300V/10ms



NO.	NAME	Q'TY	SPECIFICATION
⑩	TIE	1	WHITE L=120mm
⑨	PE BAG	1/10	CLEAR SIZE: 360*380*0.05mm PRINT BLACK"MADE IN CHINA"+"10PCS" .
⑧	PE BAG	1	CLEAR SIZE: 150*280*0.05mm PRINT BLACK"MADE IN CHINA"+"1PC".
⑦	TUBE	2	HEAT SHRINK TUBE BLACK OD1.5*20MM
⑥	SCREW	2	#4-40UNC TYPE L=30mm,NICKEL PLATED,MOLD:BEIGE(IV-29) ABS
⑤	IN JACKET	9g	CLEAR LD-PE (Mould NO.:NM-62)
	OUT JACKET	30g	BEIGE(IV-29) 40P PVC(Mould NO.WM-145)
④	IN JACKET	9g	CLEAR LD-PE (Mould NO.:NM-33)
	OUT JACKET	30g	BEIGE(IV-29) 40P PVC(Mould NO.WM-071)
③	CONN	1	CN 36P MALE SODER TYPE PIN G/F SHELL NI-PLATED INSULATOR COLOR:BLUE
②	CONN	1	DB 25P MALE SODER TYPE PIN G/F SHELL NI-PLATED INSULATOR COLOR:BLUE
①	CABLE	1	NOUL 28AWG*25C+D+AL/MY OD6.5mm JACKET:BEIGE(IV-29) L=2000±15MM

RoHS compliant
 Unit: mm

Scale	Free					Date	Name	Customer-No.
TOLERANCE						Drawn	20.02.2017	Amy
						Approved	04.09.2017	Fred
DIM	TOL	①	Delete the wire color for pin assignment	04.09.2017	Fred			
		②	Drawn	20.02.2017	Amy			
Angle	TOL	Id.	Modification	Date	Name	Replace	ASS 7858 CA	rev01

Customer-No.		
ASSMANN WSW-No.		AK108-2
Drawing-No.		ASS 7858 CA
Replace	Sheet	rev01

1

2

3

4

5

6

7