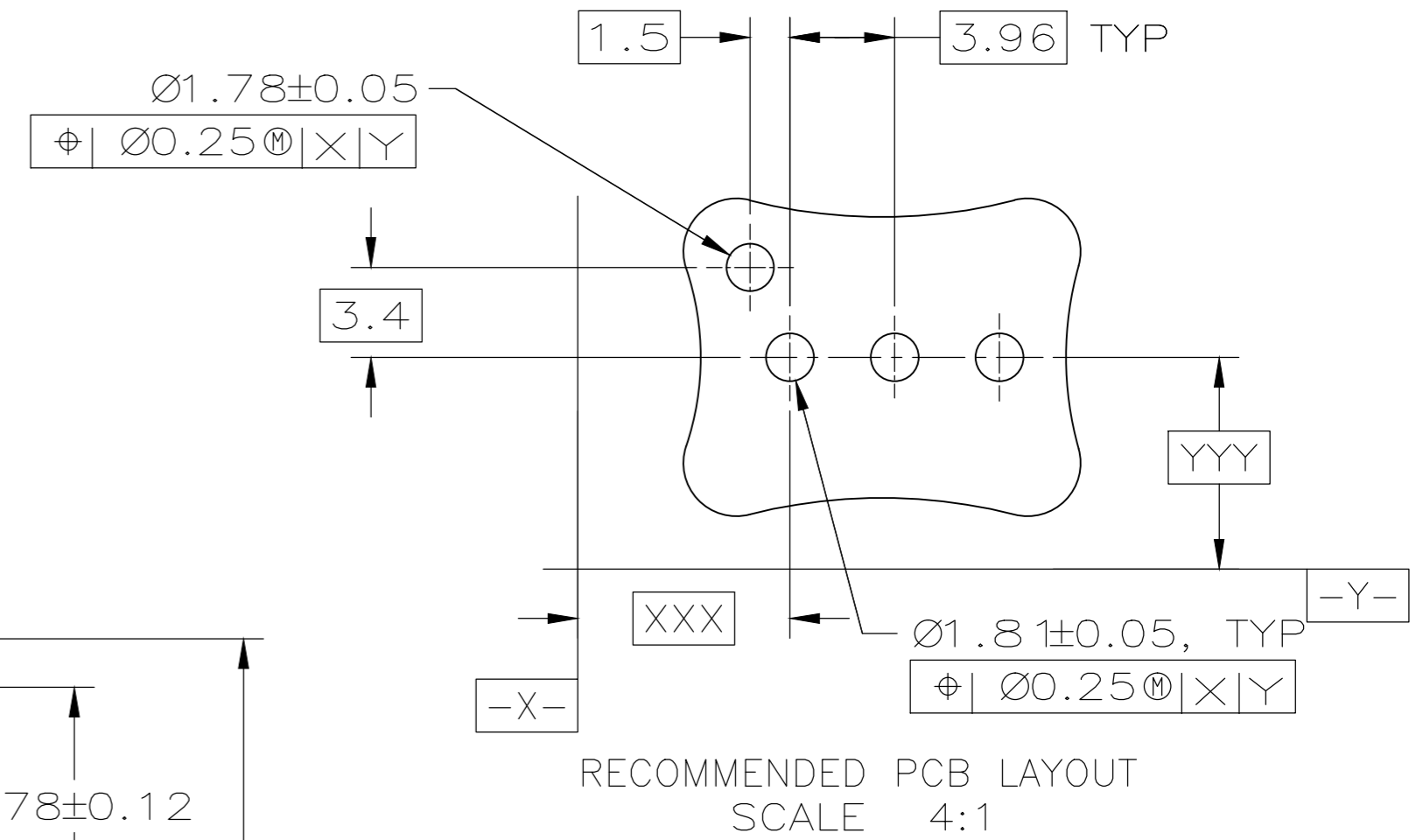
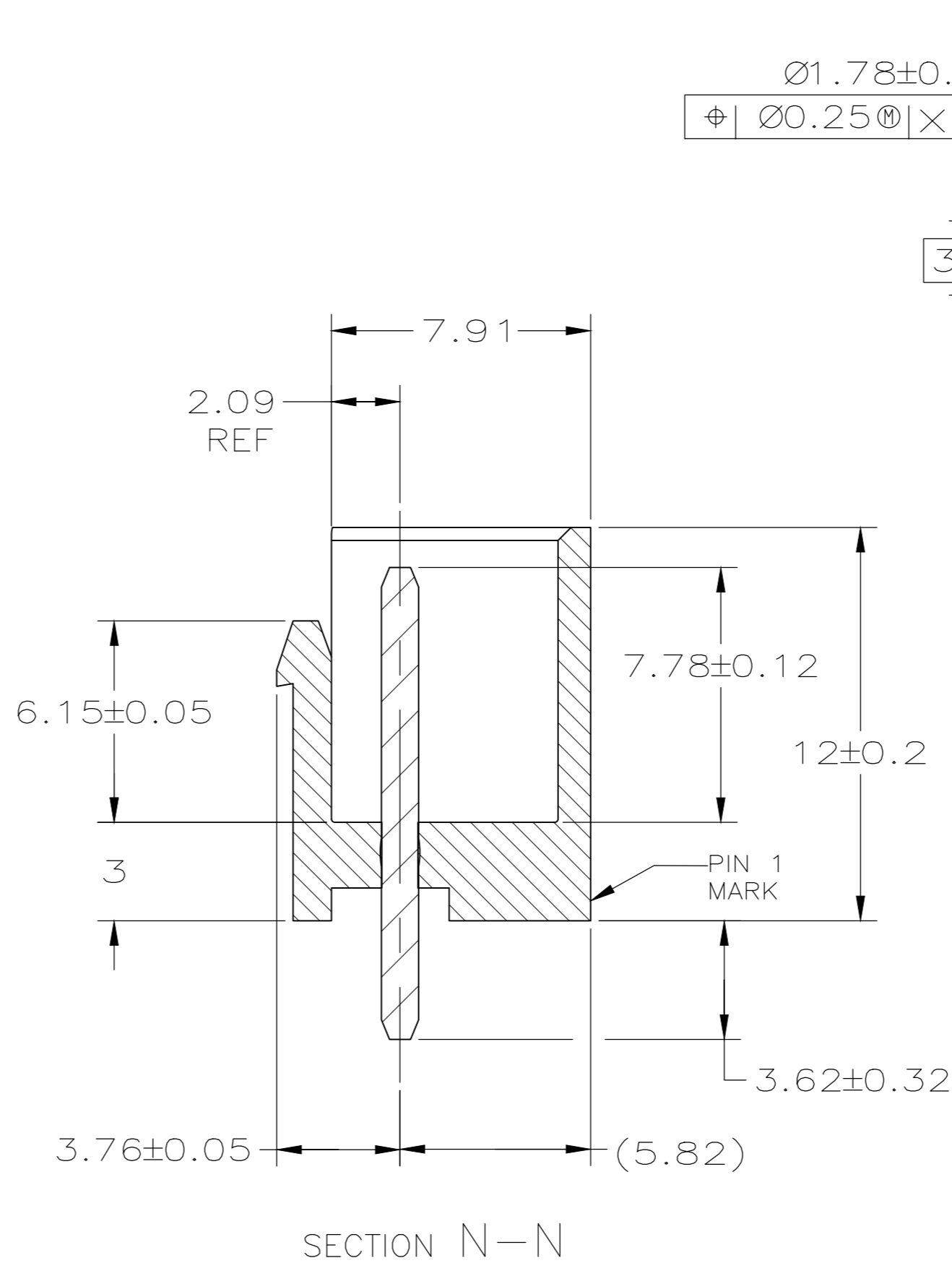
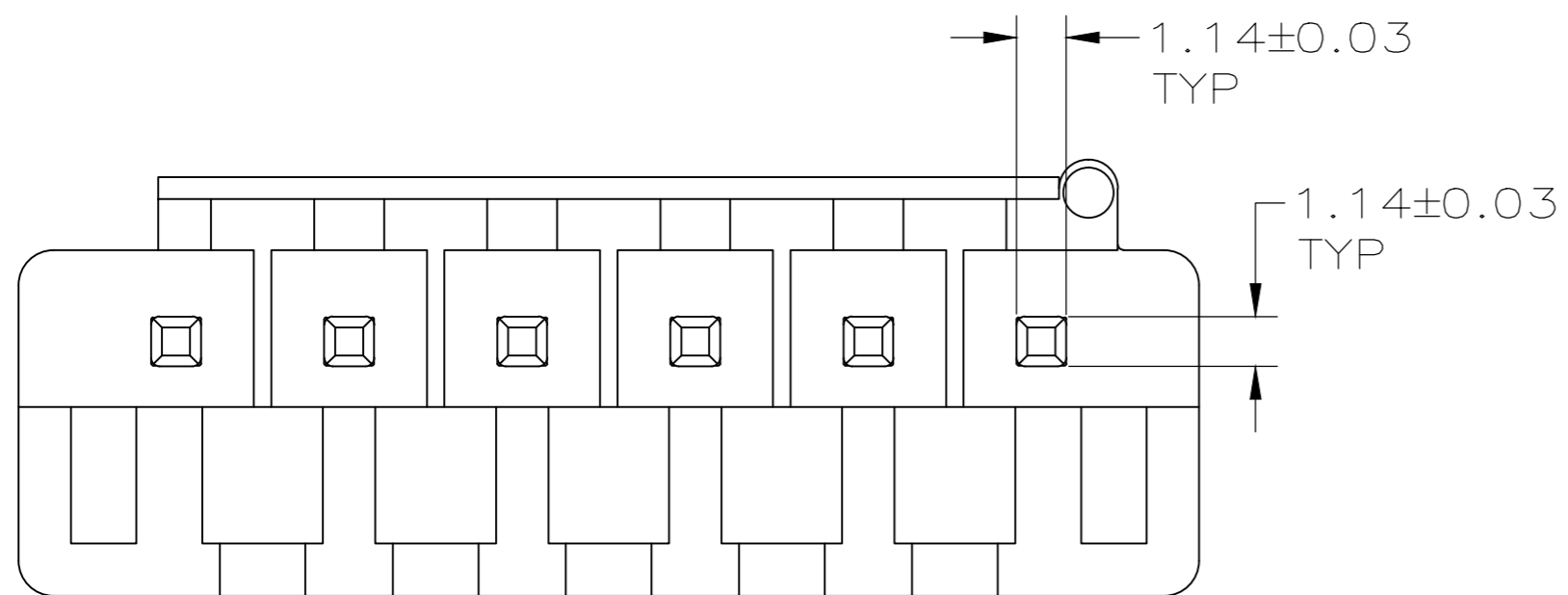
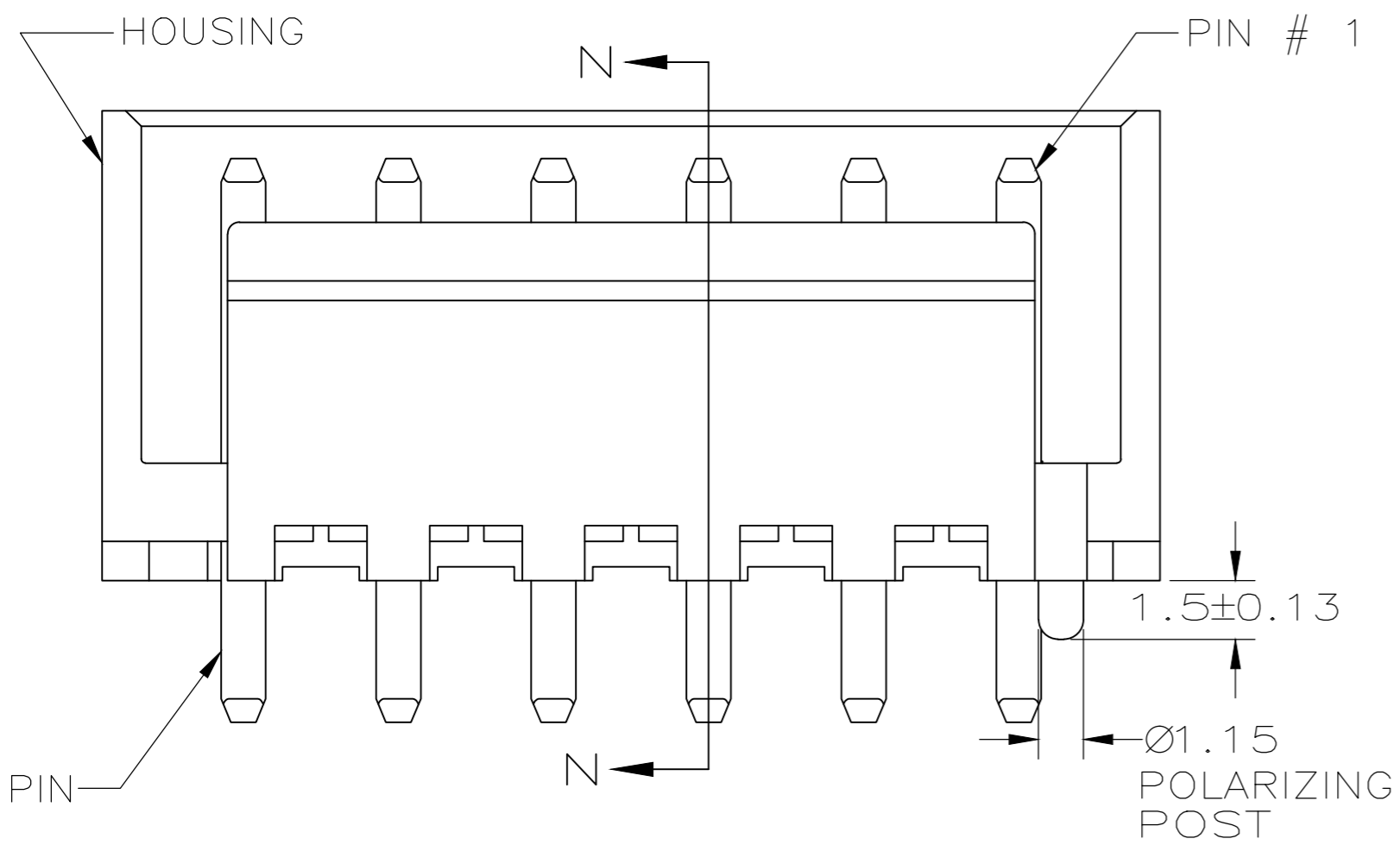
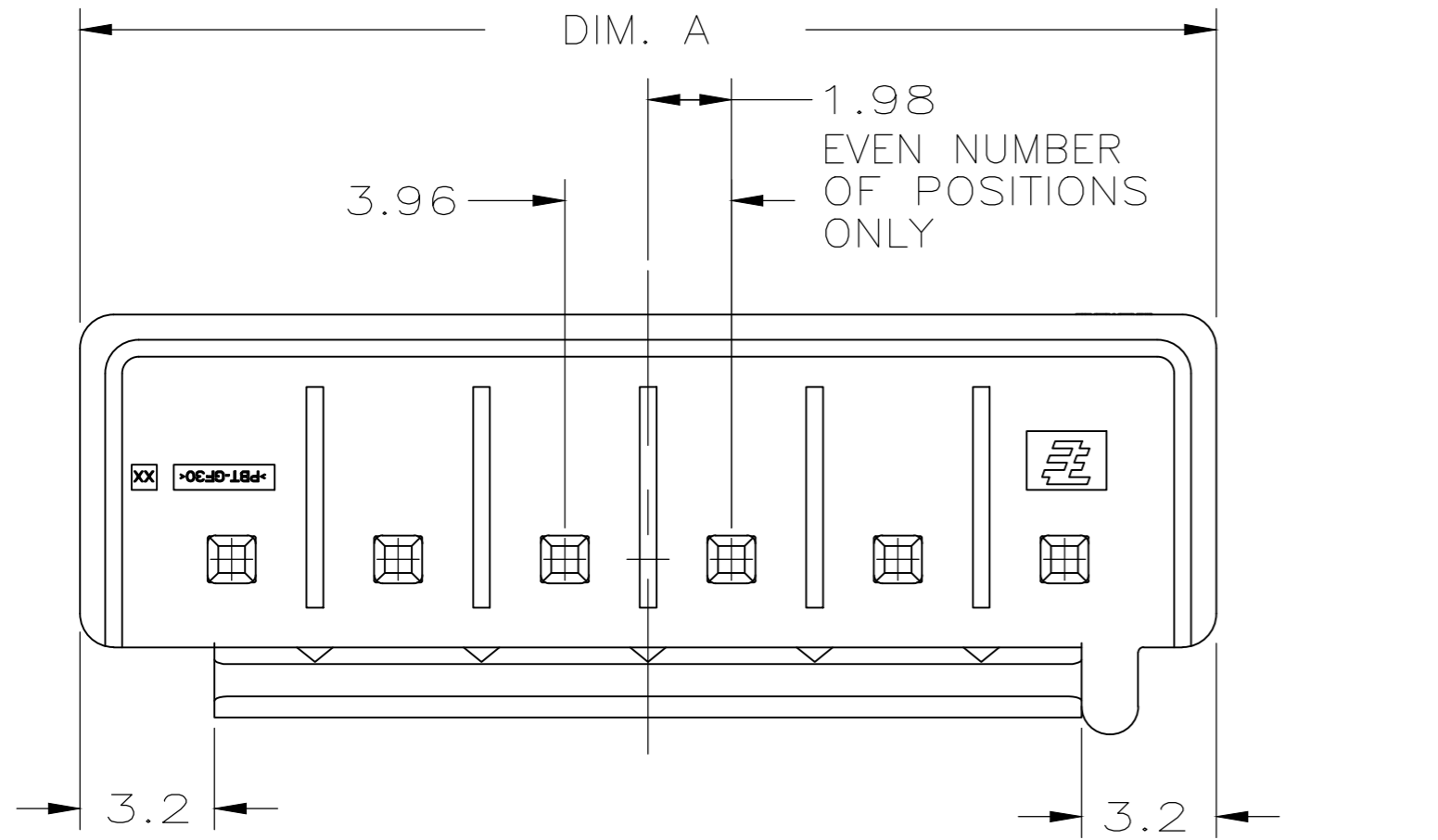


REVISIONS					
P	LTR	DESCRIPTION	DATE	DWN	APVD
B2		REVISED PER ECR-17-005823	15MAY2017	O.C	D.Z



△ MATERIAL: HOUSING; NYLON GLASS FILLED UL94V-2
 PIN: BRASS
 △ FINISH: PIN, 1.0µm MIN TIN OVER 0.8µm MIN NICKEL.

- 3 PARTS TESTED TO IEC 60695-2-11 AND IS COMPLAINT TO IEC 60335-1
- 4 HOUSING MATERIAL MEETS MINIMUM GLOW WIRE FLAMMABILITY INDEX OF 850°C PER IEC 60695-2-12 AND MINIMUM GLOW WIRE IGNITION TEMPERATURE OF 775°C PER IEC 60695-2-13.
- 5 SKETCH SHOWS NO PIN MISSING.

34.93	7	8	1-1744427-8
23.05	2	5	1-1744427-5
50.77	-	12	1-1744427-2
46.81	-	11	1-1744427-1
42.85	-	10	1-1744427-0
38.89	-	9	1744427-9
34.93	-	8	1744427-8
30.97	-	7	1744427-7
27.01	-	6	1744427-6
23.05	-	5	1744427-5
19.09	-	4	1744427-4
15.13	-	3	1744427-3
11.17	-	2	1744427-2
DIM. A	OMIT PIN#	POS.	PART NO.

THIS DRAWING IS A CONTROLLED DOCUMENT.		DWN	JR RUTH	09JAN12
DIMENSIONS: mm		CHK	SAM MACE	09JAN12
TOLERANCES UNLESS OTHERWISE SPECIFIED:		APVD	SAM MACE	09JAN12
0 PLC	± -	PRODUCT SPEC		
1 PLC	± -	APPLICATION SPEC		
2 PLC	± 0.10	-		
3 PLC	± -	WEIGHT		
4 PLC	± -	SCALE		
ANGLES	± -	SHEET		
FINISH	△ 2	REV		
MATERIAL	△ 1	CUSTOMER DRAWING		
TE Connectivity		SHROUDED HEADER ASSEMBLY, 3.96mm PITCH, ECONOMY POWER (EP)		
SIZE	A2	CAGE CODE	00779	DRAWING NO
DRAWING NO		C=1744427		
SCALE		6:1		
SHEET		1 of 1		
REV		B2		