

**PART NUMBER CODING**

**MATERIAL (INSULATOR/CONTACT)**

- R = BLACK PPS/PHOSPHOR BRONZE**  
OPERATING TEMP: -65°C TO +125°C  
PROCESSING TEMP: 260°C MAX FOR 20 SEC
- G = BLACK PA9T/PHOSPHOR BRONZE**  
OPERATING TEMP: -65°C TO +125°C  
PROCESSING TEMP: 260°C MAX FOR 20 SEC
- A = BLACK PPS/BERYLLIUM COPPER**  
OPERATING TEMP: -65°C TO +150°C  
PROCESSING TEMP: 260°C MAX FOR 20 SEC
- J = BLACK PA9T/BERYLLIUM COPPER**  
OPERATING TEMP: -65°C TO +150°C  
PROCESSING TEMP: 260°C MAX FOR 20 SEC

**MODIFICATION**

OMIT FOR STANDARD, EX: 'RBE12DHFD'  
OTHER S# FOR WITH MOLDED KEY,  
(SEE PAGE 3 FOR S#, KEY LOCATION AND DIMENSIONS)

**MOUNTING STYLE**

- D = FLUSH MOUNTING
- N = NO MOUNTING EARS (PAGE 2)
- T = FLUSH MTG. WITH THRD INSERT (PAGE 2)
- R = METAL BOARD LOCK (PAGE 2)

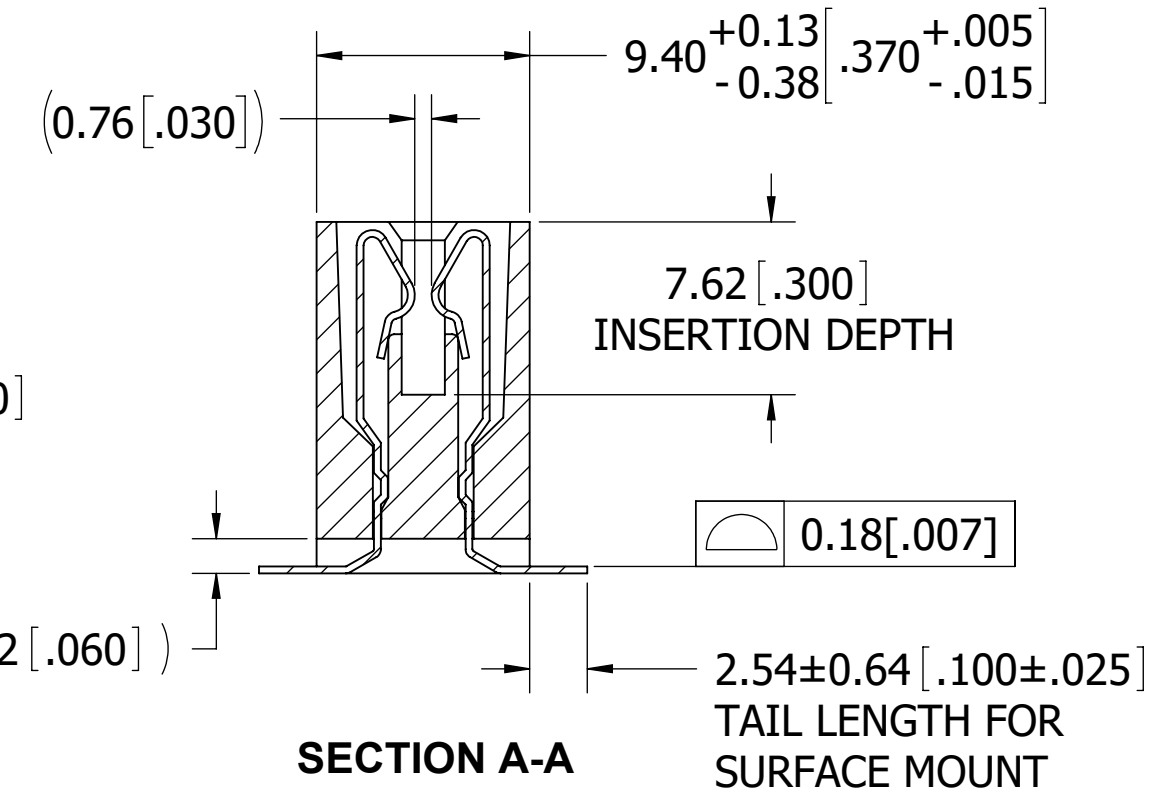
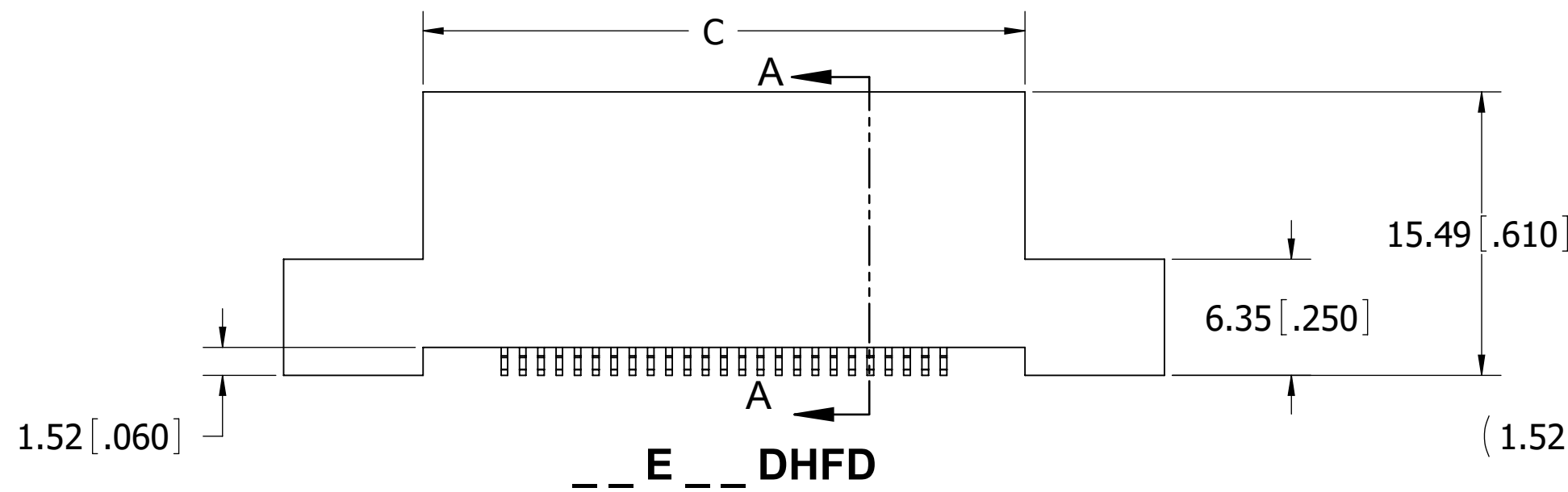
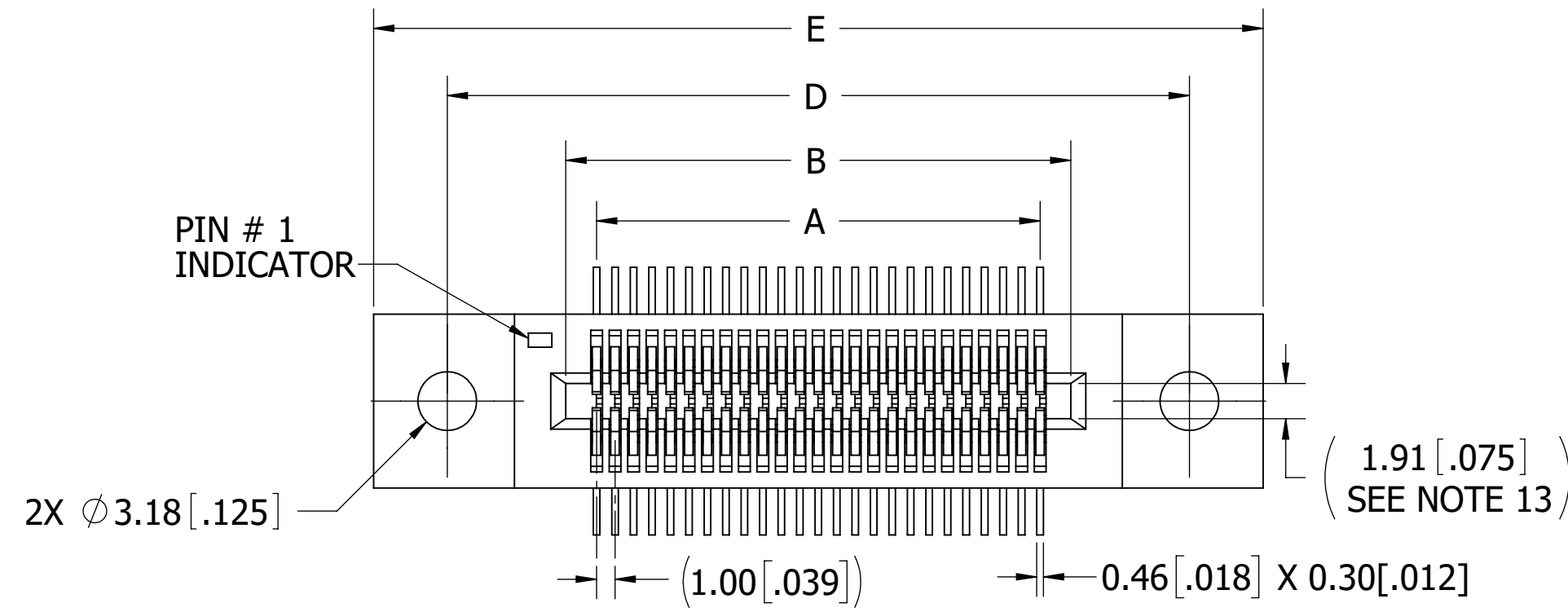
**NUMBER OF POSITIONS**  
(CONTACTS PER ROW)

**PLATING**

ALL PLATINGS ARE LEAD FREE AND HAVE .000050" NICKEL UNDERPLATE

CONTACT SURFACE	TERMINATION
B = .000010" GOLD	.000100" PURE TIN, MATTE
C = .000030" GOLD	.000100" PURE TIN, MATTE
N = .000050" GOLD	.000100" PURE TIN, MATTE

REVISIONS				
REV.	ECO. NO	DESCRIPTION	DATE	BY
J	3710	ADD 'N' PLATING, ADD REF TO TAIL HEIGHT DIM 1.52[.060]	7/12/2017	JH
K	4270	ADD MOLDED KEY OPTION	10/22/2020	JH

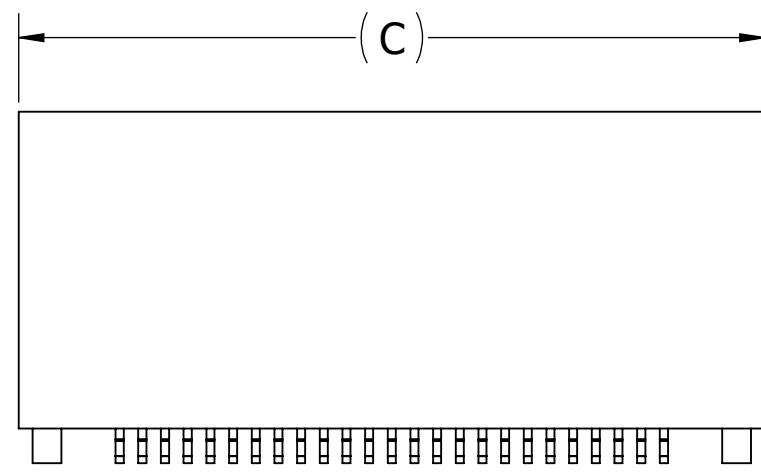
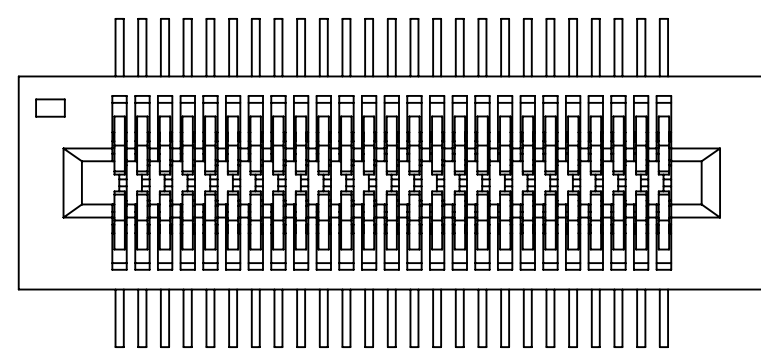


- NOTES:**
- INSULATOR MATERIAL: SEE PART NUMBER CODING
  - CONTACT MATERIAL: SEE PART NUMBER CODING
  - PLATING: SEE PART NUMBER CODING
  - OPERATING TEMPERATURE: SEE PART NUMBER CODING
  - PROCESSING TEMP: SEE PART NUMBER CODING
  - UL FLAMMABILITY RATING: 94V-0
  - OPERATING VOLTAGE: 225 VAC
  - CURRENT RATING: 1 AMP
  - CONTACT RESISTANCE: 30 MILLI OHMS MAX
  - INSULATION RESISTANCE: 5000 MEGA OHMS
  - DURABILITY: 500 CYCLES MINIMUM
  - CONNECTOR IDENTIFICATION: THE PART SHALL BE MARKED WITH A PART NUMBER AND LOT CODE
  - BOARD THICKNESS ACCOMMODATED: 1.57 ± 0.20 [.062 ± .008"]
  - INSERTION FORCE: 6 OZ MAX PER CONTACT PAIR WHEN USING A 1.57 [.062"] TEST BLADE
  - WITHDRAWAL FORCE: 1 OZ MIN PER CONTACT PAIR USING 1.57 [.062"] TEST BLADE
  - MODIFICATION: SEE PART NUMBER CODING

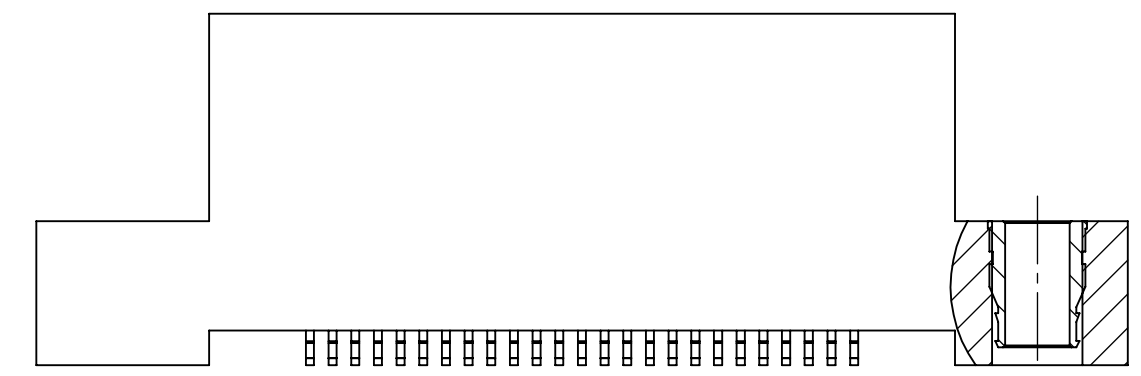
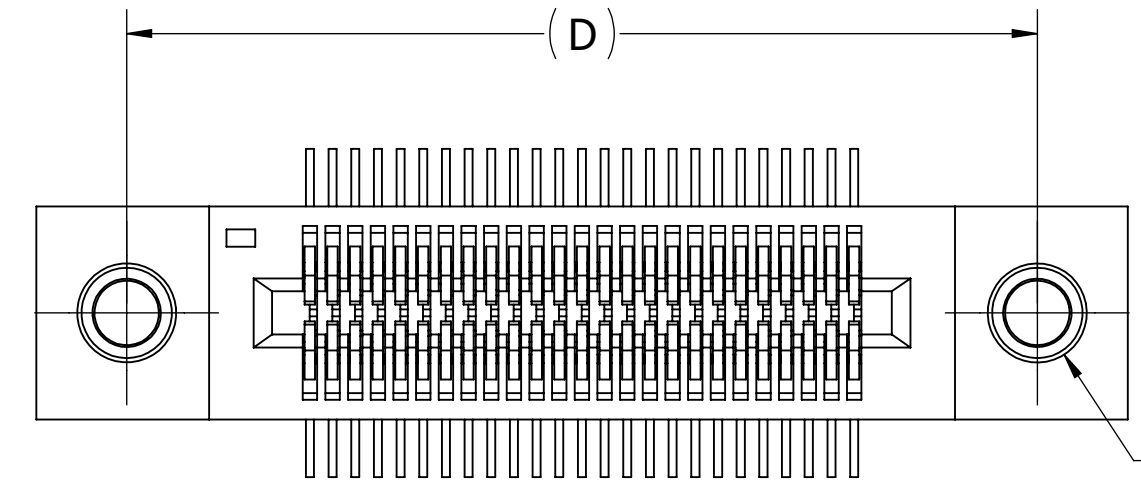


**CUSTOMER COPY**

UNLESS OTHERWISE SPECIFIED: DIMENSIONS ARE IN MM [INCHES]		DRAWN	DATE	NAME		
			12/19/2005	HT		
TOLERANCES:					<small>THE INFORMATION HEREIN CONTAINS PROPRIETARY INFORMATION OF SULLINS ELECTRONICS AND IS NOT TO BE REPRODUCED, USED OR DISCLOSED TO OTHERS FOR ANY PURPOSE EXCEPT AS SPECIFICALLY AUTHORIZED IN WRITING BY AN OFFICER OF SULLINS ELECTRONICS.</small>	
ANGULAR: ± 1°					TITLE	
DECIMALS					EDGE CARD, 1mm CC HP	
.X = ± .5 [.02]					PART NUMBER	
.XX = ± .13 [.005]					E DHF	
.XXX = ± .013 [.0005]					SIZE	REV
					C	K
					CAGE CODE	DWG. NO.
					54453	C10646
					SCALE: 3:1	SHEET 1 OF 3

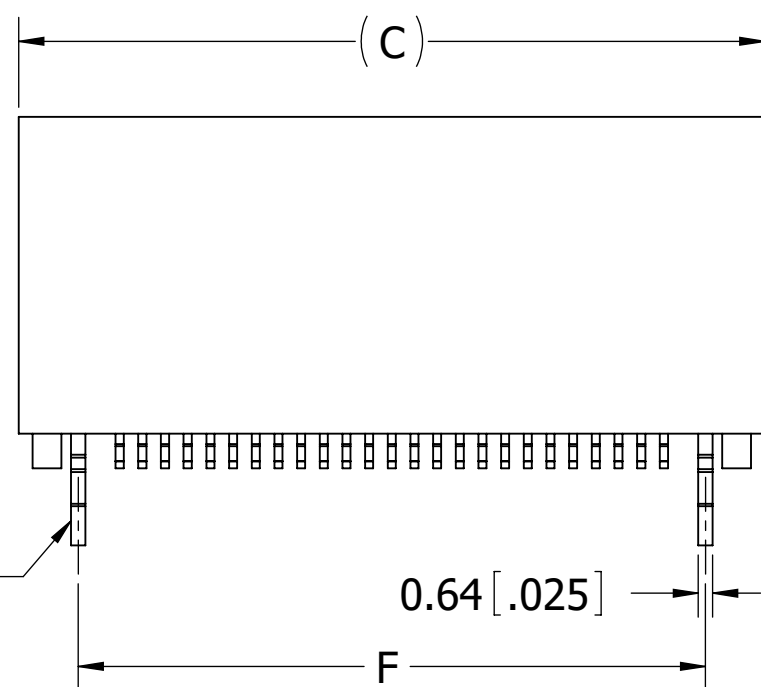
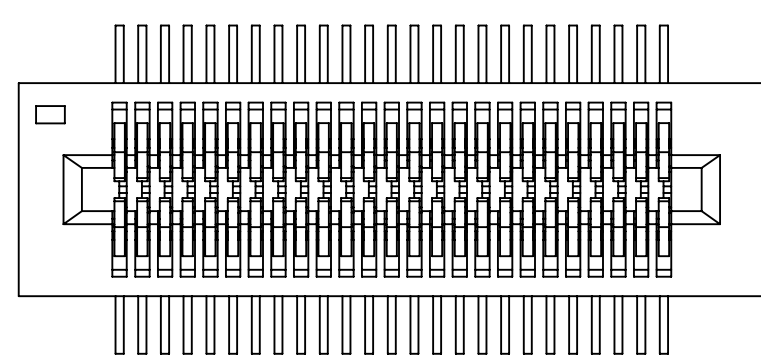


**\_\_ E \_\_ DHFN**



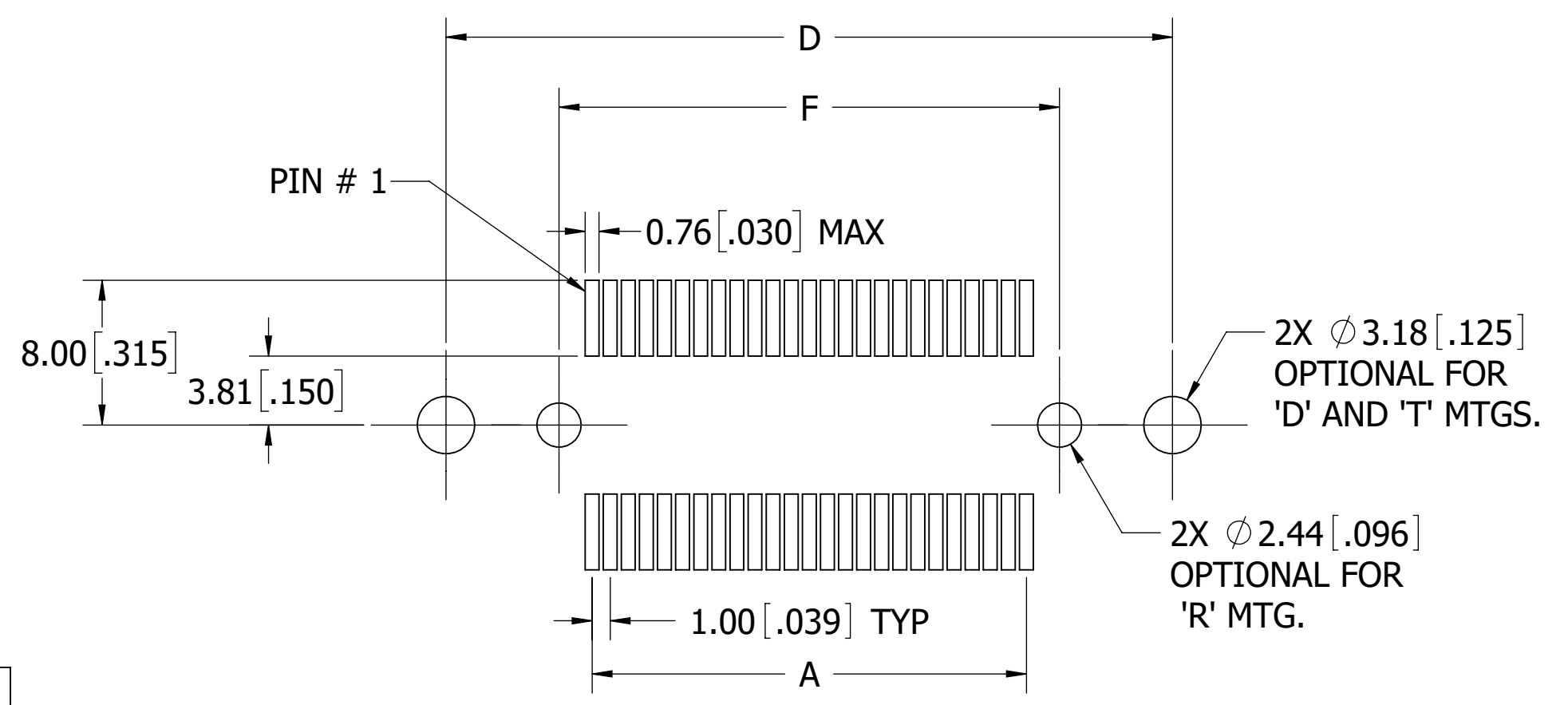
2X # 4-40  
THREADED INSERTS

**\_\_ E \_\_ DHFT**

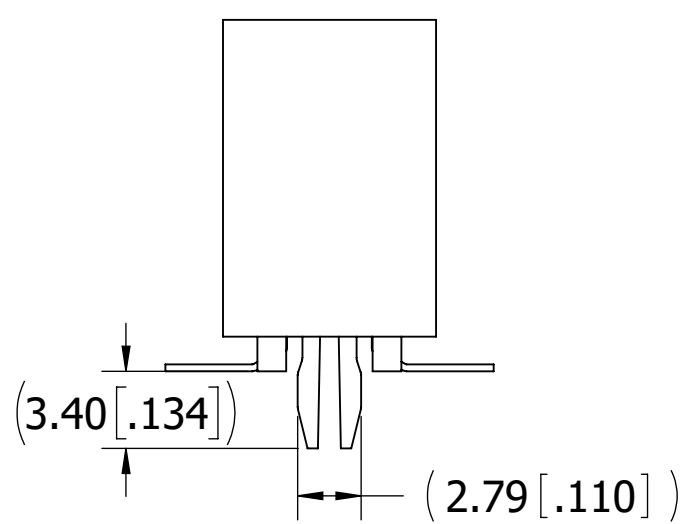


METAL BOARD LOCK

**\_\_ E \_\_ DHFR**



**RECOMMENDED PCB LAYOUT**



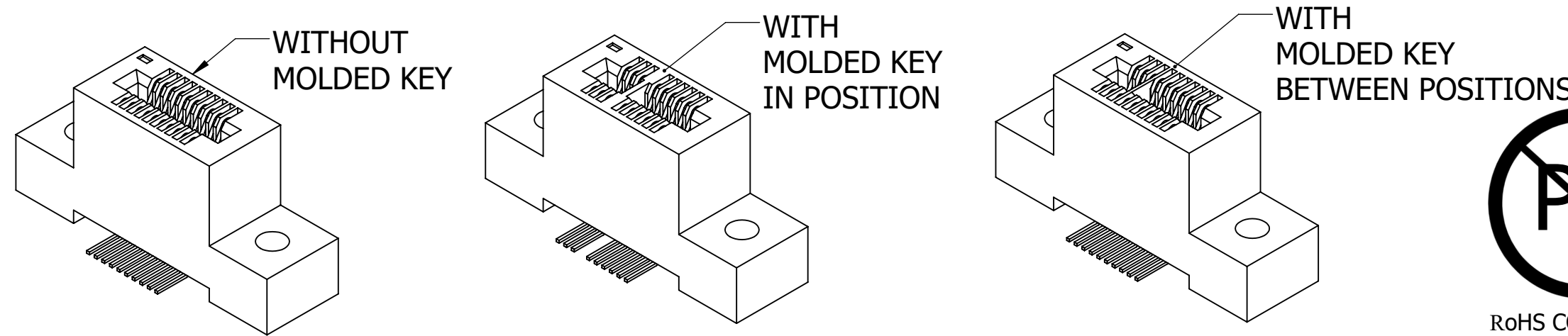
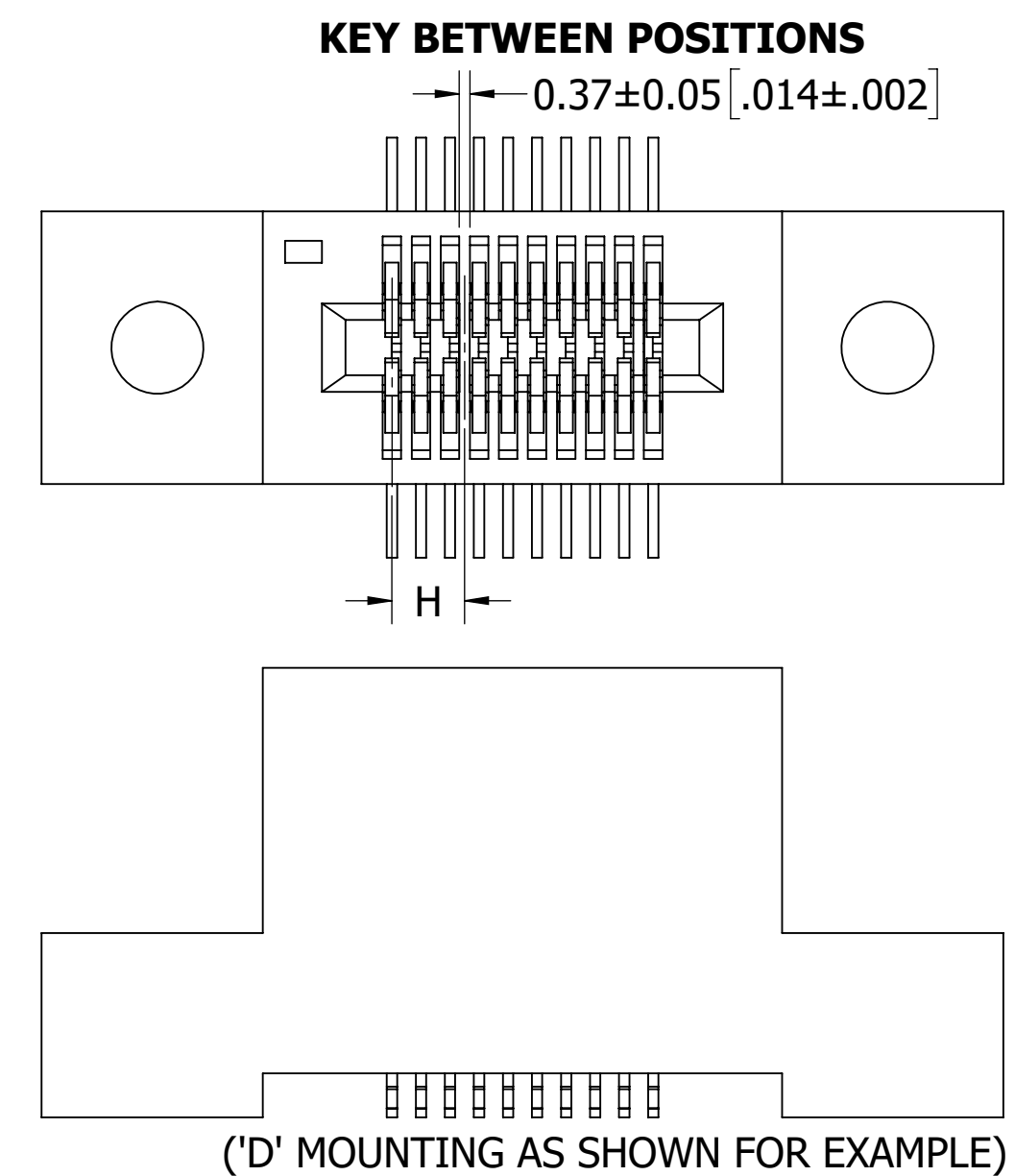
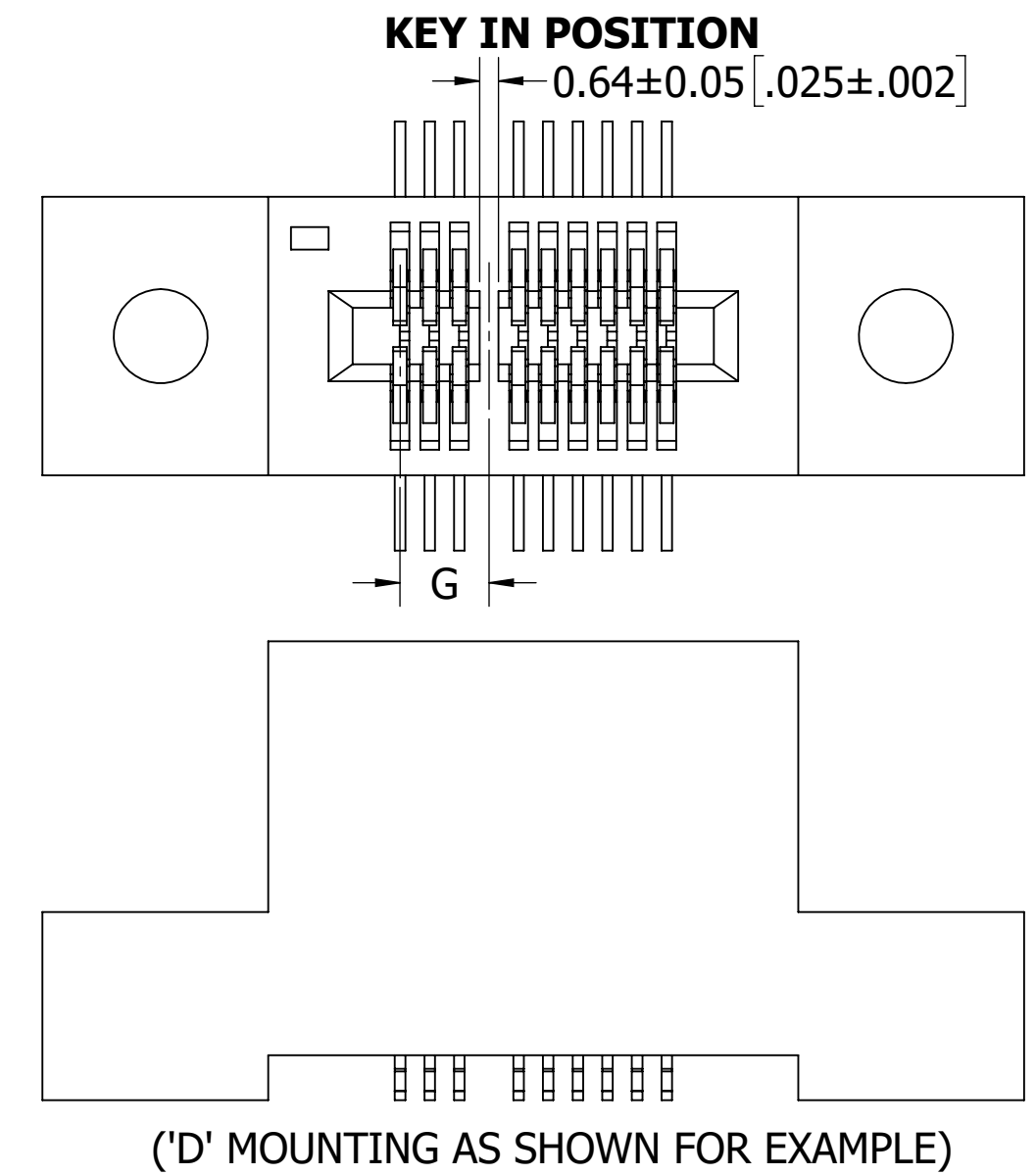
**CUSTOMER COPY**



UNLESS OTHERWISE SPECIFIED: DIMENSIONS ARE IN INCHES [MM]	DRAWN	DATE	NAME	
		12/19/2005	HT	
TOLERANCES: ANGULAR: ± 1° DECIMALS .XX=± .02 [.5] .XXX=± .005 [.13] .XXXX=± .0005 [.013]	<small>THE INFORMATION HEREIN CONTAINS PROPRIETARY INFORMATION OF SULLINS ELECTRONICS AND IS NOT TO BE REPRODUCED, USED OR DISCLOSED TO OTHERS FOR ANY PURPOSE EXCEPT AS SPECIFICALLY AUTHORIZED IN WRITING BY AN OFFICER OF SULLINS ELECTRONICS.</small>			TITLE
				EDGE CARD, 1mm CC HP
PART NUMBER				REV
C		54453	DWG. NO.	C10646
SCALE: 3:1			SHEET 2 OF 3	

PART NUMBER	POSITIONS/ CONTACTS	A ±0.13[±.005]		B ±0.13[±.005]		C ±0.38[±.015]		D ±0.25[±.010]		E ±0.51[±.020]		F ±0.25[±.010]	
		INCHES	MM	INCHES	MM	INCHES	MM	INCHES	MM	INCHES	MM	INCHES	MM
E02DHF	2/4	0.039	1.00	0.170	4.32	0.389	9.89	0.675	17.15	0.989	25.13	0.183	4.66
E03DHF	3/6	0.079	2.00	0.210	5.32	0.429	10.89	0.715	18.15	1.029	26.13	0.223	5.66
E04DHF	4/8	0.118	3.00	0.249	6.32	0.468	11.89	0.754	19.15	1.068	27.13	0.262	6.66
E05DHF	5/10	0.157	4.00	0.288	7.32	0.507	12.89	0.793	20.15	1.107	28.13	0.302	7.66
E06DHF	6/12	0.197	5.00	0.328	8.32	0.547	13.89	0.833	21.15	1.147	29.13	0.341	8.66
E07DHF	7/14	0.236	6.00	0.367	9.32	0.586	14.89	0.872	22.15	1.186	30.13	0.380	9.66
E08DHF	8/16	0.276	7.00	0.407	10.32	0.626	15.89	0.912	23.15	1.226	31.13	0.420	10.66
E09DHF	9/18	0.315	8.00	0.446	11.32	0.665	16.89	0.951	24.15	1.265	32.13	0.459	11.66
E10DHF	10/20	0.354	9.00	0.485	12.32	0.704	17.89	0.990	25.15	1.304	33.13	0.498	12.66
E11DHF	11/22	0.394	10.00	0.525	13.32	0.744	18.89	1.030	26.15	1.344	34.13	0.538	13.66
E12DHF	12/24	0.433	11.00	0.564	14.32	0.783	19.89	1.069	27.15	1.383	35.13	0.577	14.66
E13DHF	13/26	0.472	12.00	0.603	15.32	0.822	20.89	1.108	28.15	1.422	36.13	0.617	15.66
E14DHF	14/28	0.512	13.00	0.643	16.32	0.862	21.89	1.148	29.15	1.462	37.13	0.656	16.66
E15DHF	15/30	0.551	14.00	0.682	17.32	0.901	22.89	1.187	30.15	1.501	38.13	0.695	17.66
E16DHF	16/32	0.591	15.00	0.722	18.32	0.941	23.89	1.227	31.15	1.541	39.13	0.735	18.66
E17DHF	17/34	0.630	16.00	0.761	19.32	0.980	24.89	1.266	32.15	1.580	40.13	0.774	19.66
E18DHF	18/36	0.669	17.00	0.800	20.32	1.019	25.89	1.305	33.15	1.619	41.13	0.813	20.66
E19DHF	19/38	0.709	18.00	0.840	21.32	1.059	26.89	1.345	34.15	1.659	42.13	0.853	21.66
E20DHF	20/40	0.748	19.00	0.879	22.32	1.098	27.89	1.384	35.15	1.698	43.13	0.892	22.66
E21DHF	21/42	0.787	20.00	0.918	23.32	1.137	28.89	1.423	36.15	1.737	44.13	0.931	23.66
E22DHF	22/44	0.827	21.00	0.958	24.32	1.177	29.89	1.463	37.15	1.777	45.13	0.971	24.66
E23DHF	23/46	0.866	22.00	0.997	25.32	1.216	30.89	1.502	38.15	1.816	46.13	1.010	25.66
E24DHF	24/48	0.906	23.00	1.037	26.32	1.256	31.89	1.542	39.15	1.856	47.13	1.050	26.66
E25DHF	25/50	0.945	24.00	1.076	27.32	1.295	32.89	1.581	40.15	1.895	48.13	1.089	27.66
E26DHF	26/52	0.984	25.00	1.115	28.32	1.334	33.89	1.620	41.15	1.934	49.13	1.128	28.66
E27DHF	27/54	1.024	26.00	1.155	29.32	1.374	34.89	1.660	42.15	1.974	50.13	1.168	29.66
E28DHF	28/56	1.063	27.00	1.194	30.32	1.413	35.89	1.699	43.15	2.013	51.13	1.207	30.66
E29DHF	29/58	1.102	28.00	1.233	31.32	1.452	36.89	1.738	44.15	2.052	52.13	1.246	31.66
E30DHF	30/60	1.142	29.00	1.273	32.32	1.492	37.89	1.778	45.15	2.092	53.13	1.286	32.66
E31DHF	31/62	1.181	30.00	1.312	33.32	1.531	38.89	1.817	46.15	2.131	54.13	1.325	33.66
E32DHF	32/64	1.220	31.00	1.351	34.32	1.570	39.89	1.856	47.15	2.170	55.13	1.365	34.66
E33DHF	33/66	1.260	32.00	1.391	35.32	1.610	40.89	1.896	48.15	2.210	56.13	1.404	35.66
E34DHF	34/68	1.299	33.00	1.430	36.32	1.649	41.89	1.935	49.15	2.249	57.13	1.443	36.66
E35DHF	35/70	1.339	34.00	1.470	37.32	1.689	42.89	1.975	50.15	2.289	58.13	1.483	37.66
E36DHF	36/72	1.378	35.00	1.509	38.32	1.728	43.89	2.014	51.15	2.328	59.13	1.522	38.66
E37DHF	37/74	1.417	36.00	1.548	39.32	1.767	44.89	2.053	52.15	2.367	60.13	1.561	39.66
E38DHF	38/76	1.457	37.00	1.588	40.32	1.807	45.89	2.093	53.15	2.407	61.13	1.601	40.66
E39DHF	39/78	1.496	38.00	1.627	41.32	1.846	46.89	2.132	54.15	2.446	62.13	1.640	41.66
E40DHF	40/80	1.535	39.00	1.666	42.32	1.885	47.89	2.171	55.15	2.485	63.13	1.680	42.66
E41DHF	41/82	1.575	40.00	1.706	43.32	1.925	48.89	2.211	56.15	2.525	64.13	1.719	43.66
E42DHF	42/84	1.614	41.00	1.745	44.32	1.964	49.89	2.250	57.15	2.564	65.13	1.758	44.66
E43DHF	43/86	1.654	42.00	1.785	45.32	2.004	50.89	2.290	58.15	2.604	66.13	1.798	45.66
E44DHF	44/88	1.693	43.00	1.824	46.32	2.043	51.89	2.329	59.15	2.643	67.13	1.837	46.66
E45DHF	45/90	1.732	44.00	1.863	47.32	2.082	52.89	2.368	60.15	2.682	68.13	1.876	47.66
E46DHF	46/92	1.772	45.00	1.903	48.32	2.122	53.89	2.408	61.15	2.722	69.13	1.916	48.66
E47DHF	47/94	1.811	46.00	1.942	49.32	2.161	54.89	2.447	62.15	2.761	70.13	1.955	49.66
E48DHF	48/96	1.850	47.00	1.981	50.32	2.200	55.89	2.486	63.15	2.800	71.13	1.994	50.66
E49DHF	49/98	1.890	48.00	2.021	51.32	2.240	56.89	2.526	64.15	2.840	72.13	2.034	51.66
E50DHF	50/100	1.929	49.00	2.060	52.32	2.279	57.89	2.565	65.15	2.879	73.13	2.073	52.66

SEE DRAWING C13556 FOR MODIFICATION NUMBER (S#), DIMENSION 'G' & 'H'



UNLESS OTHERWISE SPECIFIED: DIMENSIONS ARE IN INCHES (MM)

TOLERANCES:  
ANGULAR: ± 1°  
DECIMALS  
.XX = ± .02 [.5]  
.XXX = ± .005 [.13]  
.XXXX = ± .0005 [.013]

DRAWN	DATE	NAME	
	12/19/2005	HT	
TITLE			EDGE CARD, 1mm CC HP
PART NUMBER			E DHF
SIZE	CAGE CODE	DWG. NO.	REV
C	54453	C10646	K
SCALE: 2:1		SHEET 3 OF 3	