
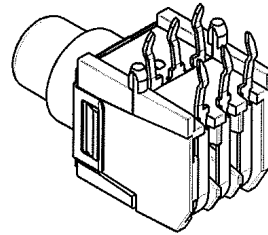
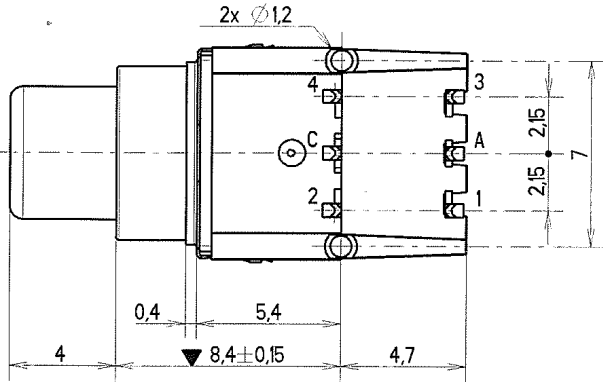


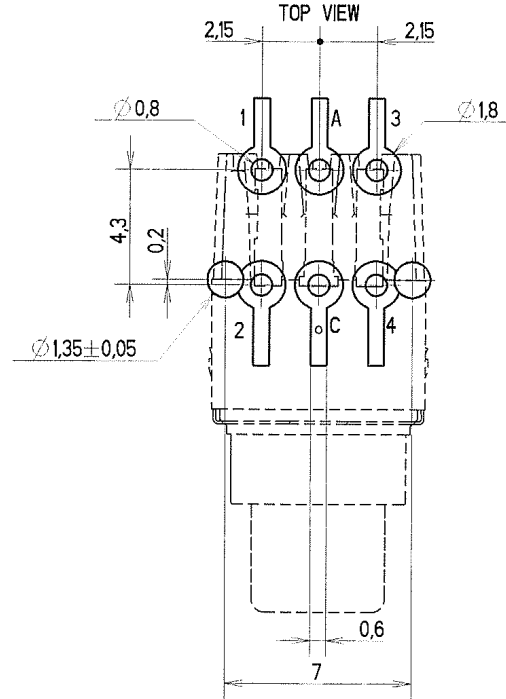
NOTE :  Be careful for this version : static electricity can damage the blue LED.
 - 2 - For product characteristics , see product specification PS-K5V-033.

REV.	N° DCR	NATURE DE LA MODIFICATION	DATE	VISA
------	--------	---------------------------	------	------

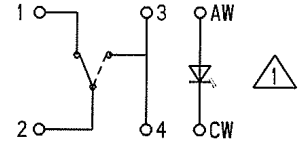


SCALE 3

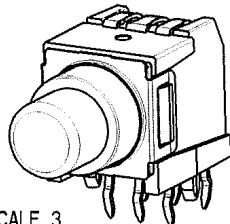
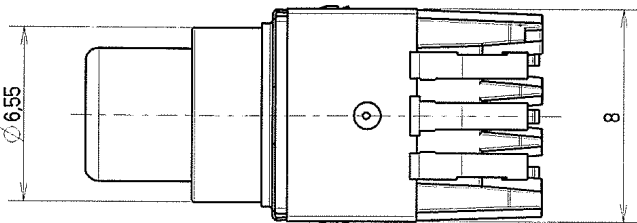
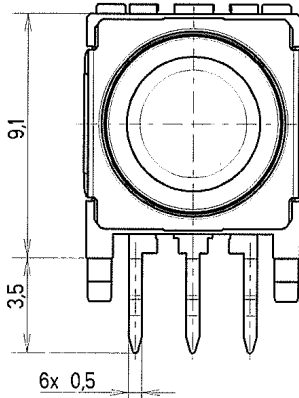
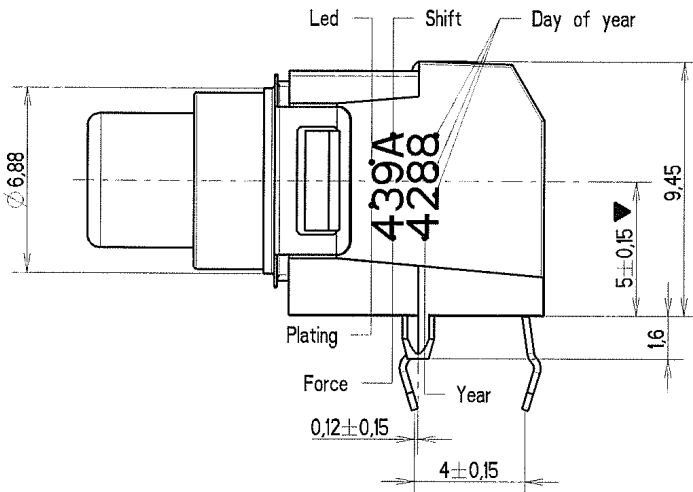
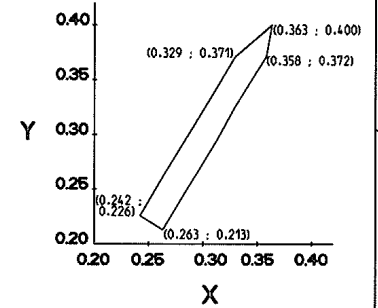
RECOMMENDED PCB LAYOUT (WITH HOLES)



ELECTRICAL DIAGRAM




CHROMATICITY COORDINATES



SCALE 3

PART NUMBER	DESIGNATION	CODE	LED COLOR	TEST CONDITIONS (mA)	LUMINOUS INTENSITY (mcd) Min. / Typ. / Max. If : 20 mA	MAX VOLTAGE (V)	MAX CURRENT (mA)	INTERNAL CONTACTS PLATING	SMT TERMINAL PLATING
71 243 291 FP	K5VWS43T	439	WHITE	20	110 / 220 / 320	4	30	Au	Au

MATIERE	TRAITEMENT	PROTECTION
SAUF INDIQUE : -COTES DONNEES AVANT PROTECTION -BAVURES ET ARETES VIVES SUPPRIMEES	TOL LINEAIRE ± 0,1 TOL ANGULAIRE ± 1 ETAT DE SURFACE Ra	DIMENSIONS CRITIQUES ▼ 2 DIMENSIONS SPC ▼ 0
DESSINE JUPILLE P	DATE 24/09/2009	ANALYSE N TAB. FAM. N PRO/E 0 LANGUAGE E
VERIFIE	DATE	
APPROUVE KUBAT.L	DATE 24/03/2009	REPLACE
 C&K Components	PROJECTION 1ER DIEBRE ECHELLE 5,000	DESIGNATION K5 V 1WS43 T
TAILLE A3	FEUILLE 1 / 1	NUMERO 71 243 291 FP

SYSTEM CONFIDENTIAL

BP 359 - 39105 Dole - FRANCE -

CU 71 243 291 FP