

Datamate Power Connectors

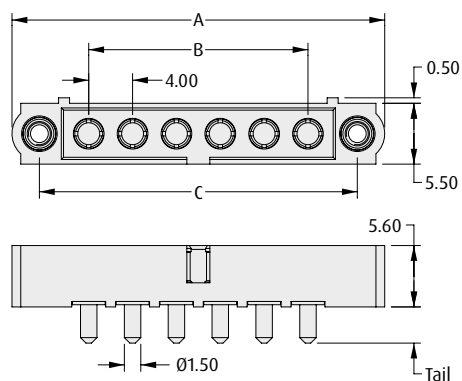
Male Vertical PC Tail

- ❖ A selection of stocked Datamate Mix-Tek solder tail standard layouts.
- ❖ Choice to suit two PCB thicknesses and two stud lengths.
- ❖ Standard Power contacts rated to 20A.
- ❖ High Power rated to 40A nominal, up to 80A max.

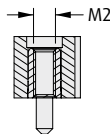


DATAMATE POWER

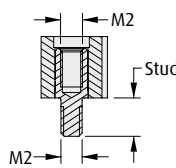
STANDARD POWER



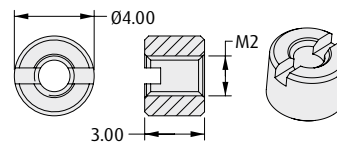
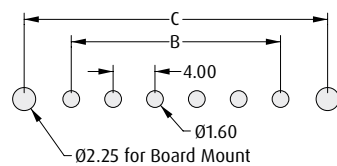
Jackscrew fixing



Jackscrew with Board Mount



Recommended PC Board Pattern

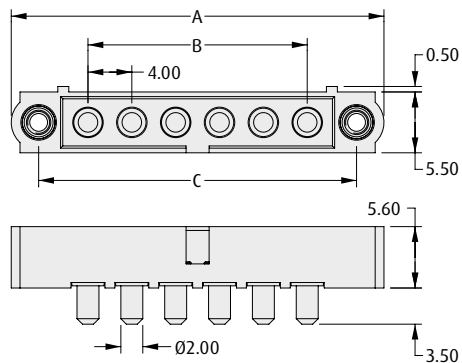


Board Mount Nut, 2 per connector

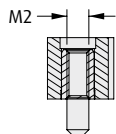
CALCULATION

A	$B + 14$
B	$(\text{No. of Power contacts} - 1) \times 4$
C	$B + 9$

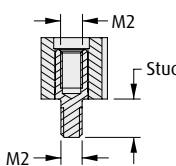
HIGH POWER



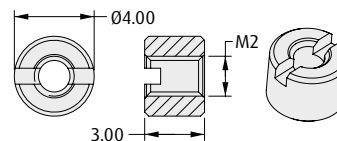
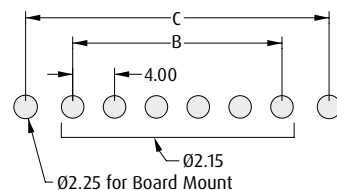
Jackscrew fixing



Jackscrew with Board Mount



Recommended PC Board Pattern



Board Mount Nut, 2 per connector

HOW TO ORDER

M80 - 5000000 XX - XX - XXX - 00 - 000

JACKSCREW

M1	Jackscrew only
M2	With 3.5mm Board Mount stud
M3	With 5mm Board Mount stud

Check image chart to confirm Off-The-Shelf sizes available

NO. OF POWER CONTACTS

02, 04	Standard Power (M1 Jackscrews)
02, 04, 06, 08, 10	Standard Power (M2/M3 Jackscrews)
02, 04, 06	High Power (M1/M2 Jackscrews)

POWER CONTACTS PART NO.

331	3.5mm Tail Standard Power
332	5mm Tail Standard Power
PM1	3.5mm Tail High Power

All dimensions in mm.