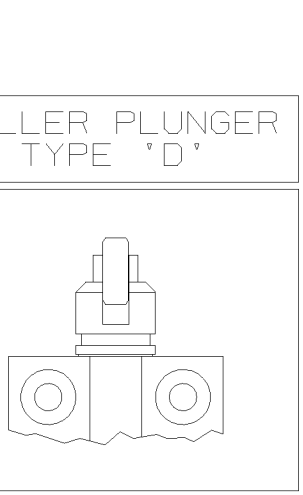
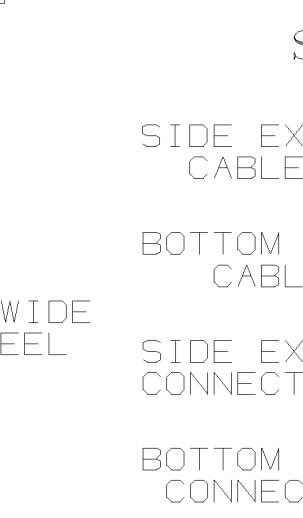
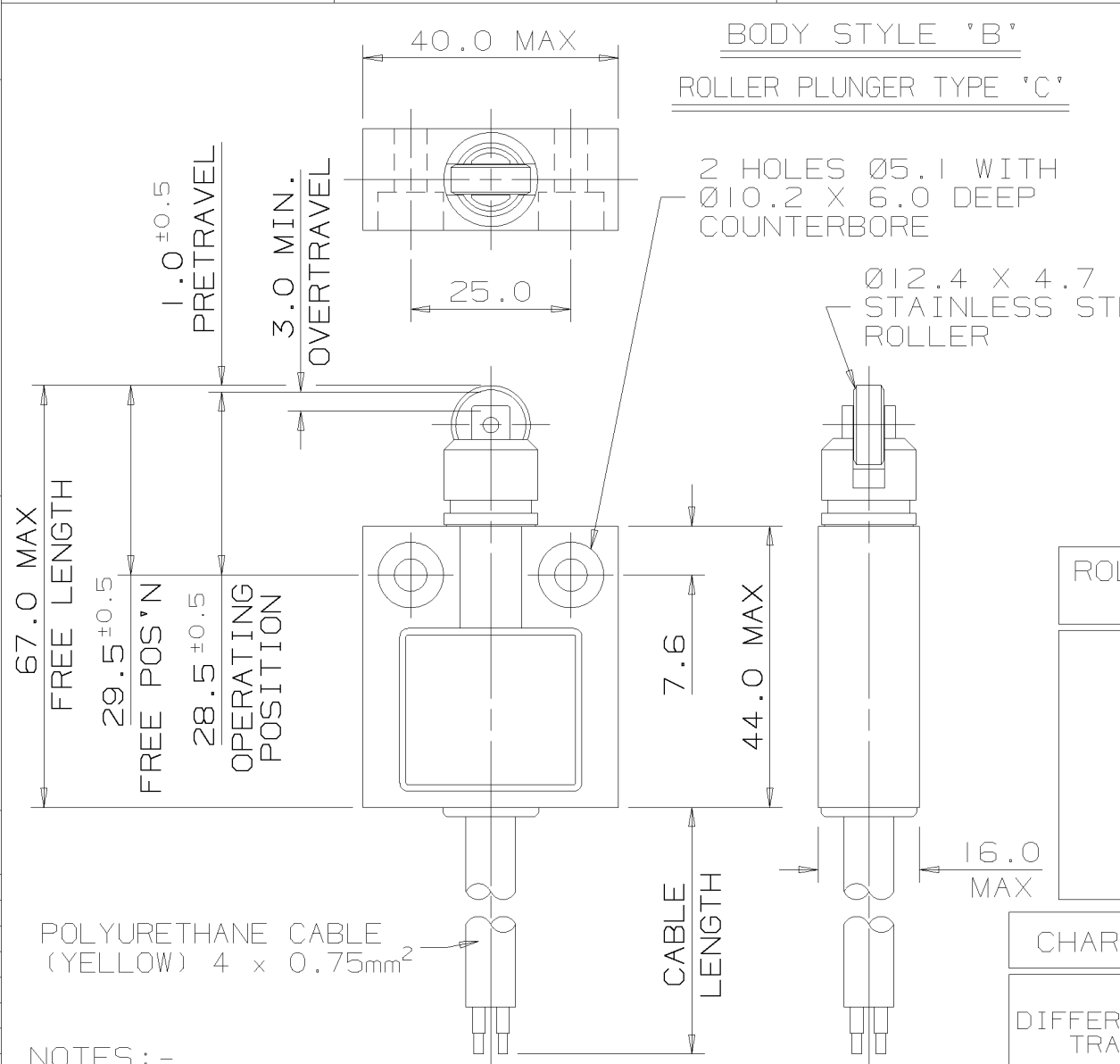


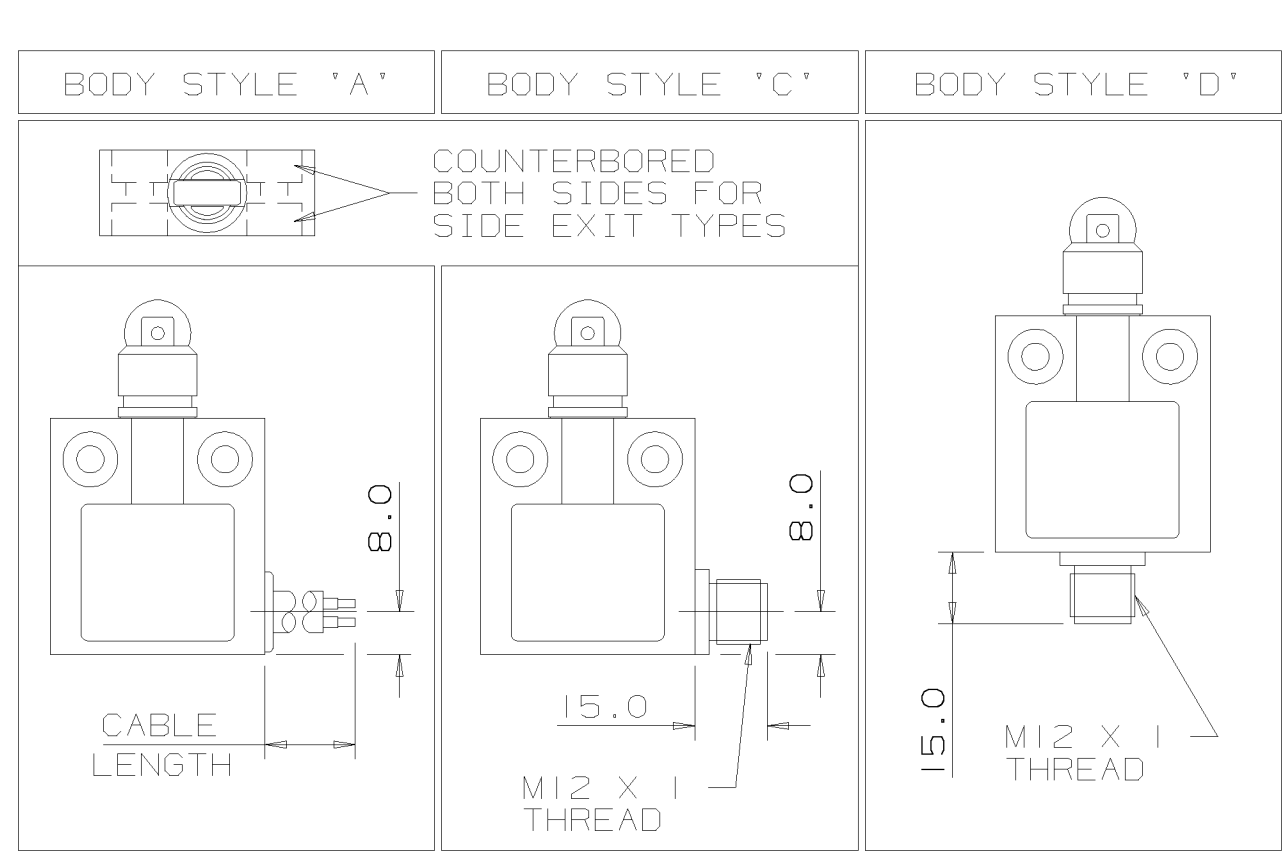
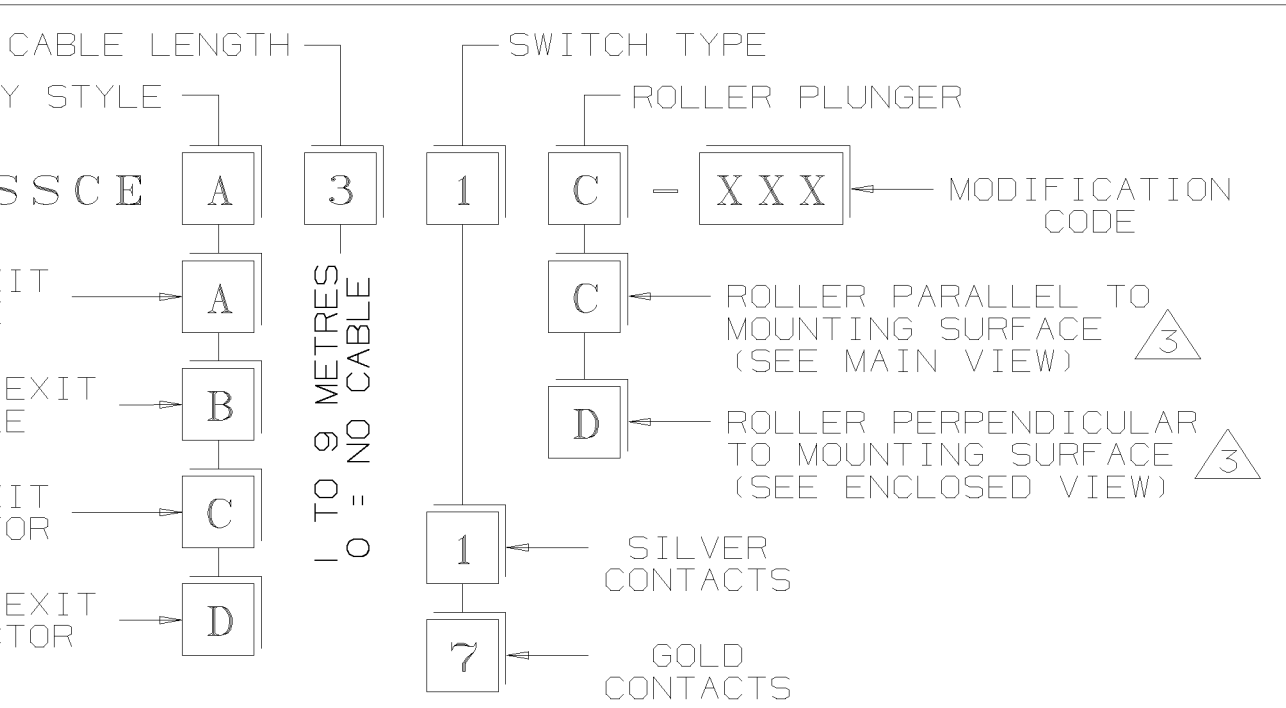
DO NOT SCALE PRINT
A3 FORMAT
MTG-CE-291
REPLACES
CHART NUMBER
DR*326
ISSUE 4
REVISIONS
2 CO*1166 IW 11/99
3 CO*1304 IW 12/99
4 CO*1342 IW 5/00
6/99
I. WEIR
DRAWN
CHECK
DESIGN
AUTHOR 'N'

Honeywell
SEALED LIMIT SWITCH
CHART NUMBER
MTG-CE-291



CHARACTERISTICS

DIFFERENTIAL TRAVEL	0.1 MAX
OPERATING FORCE	11.8 N / 1200 G MAX
RELEASE FORCE	4.4 N / 450 G MIN



NOTES :-

- DIE CAST ZINC HOUSING FINISHED IN BLACK PAINT.
- ALL LISTINGS IEC-947-5-1 APPROVED EXCEPT THOSE LISTINGS WHICH INCLUDE SWITCH TYPE '7'.
- WITHIN 3°.
- STANDARD LISTINGS CAN HAVE SUFFIX 'RS' OR 'FE'.

ELECTRICAL RATING				ENVIRONMENTAL	APPROVALS	CIRCUIT DIAGRAM	
SILVER CONTACTS		GOLD CONTACTS		IP68 TEMP RANGE : -40°C TO 90°C OPERATING AND STORAGE -40°F TO 194°F SHOCK : 50G PER IEC 68-2-27 VIBRATION : 10G PER IEC 68-2-6	 IEC 947-5-1 EN60947-5-1	CABLE	CONNECTOR
AC	DC	1 - 50V AC/DC 1 - 100mA					
D300 Ue	R300 Ue					DC13 Ie	
VOLTS	AMPS	VOLTS	AMPS				
120	0.6	125	0.22				
240	0.3	250	0.1				
THE COPYRIGHT OF THIS DRAWING IS THE PROPERTY OF HONEYWELL LTD. THE DRAWING IS SUPPLIED IN CONFIDENCE AND MUST NOT BE USED FOR ANY PURPOSE OTHER THAN THAT FOR WHICH IT IS SUPPLIED.				SCALE 2/1	DIMENSIONS ARE IN MM	MODIFY ON CAD SYSTEM ONLY	TOLERANCES UNLESS OTHERWISE STATED ±0.15