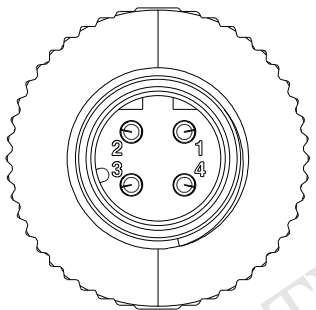
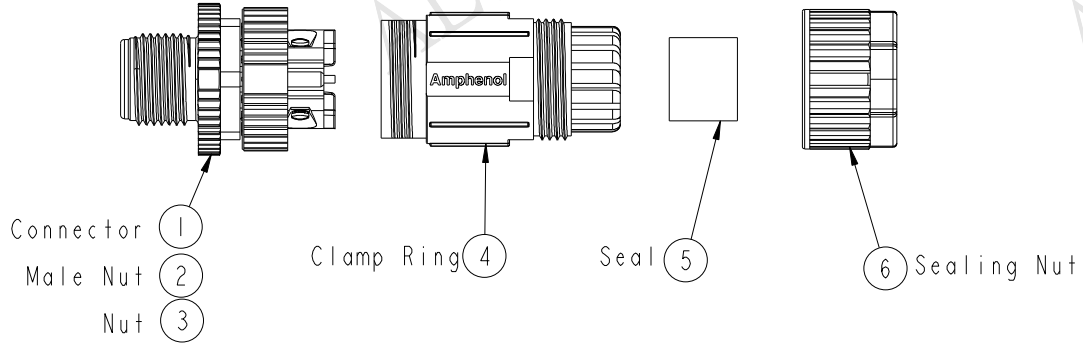
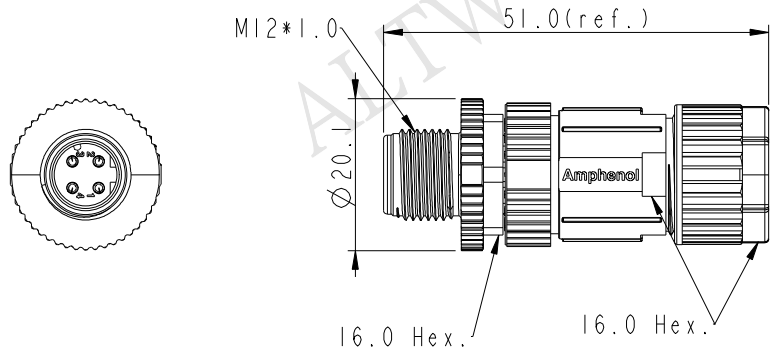


REV.	ECN NO.	DATE	SIGN	DESCRIPTION
A	Initial Release	2015/10/13	Mila	Change Rev. I To Rev. A

ALTW
CONFIDENTIAL
 2015-10-13
R&D DEPT.



Pin Assignments
Front View



ALTW
DCC. DEPT.
CONFIDENTIAL
 2015.10.28
ISSUED

UNIT:mm TOLERANCE ±0.5mm	TITLE M12 D-Code Unshielded Assy 4PIN M Conn. M Pin		Amphenol LTW 安費諾亮泰企業股份有限公司		ITEM NO MSDP-04BMMB-SL7001	DRAWN BY Mila	DATE 2015-10-13
	SCALE 1:1	SIZE A4			SHEET 1 OF 2	DWG NO MSDP-04BMMB-SL7001	CHECKED BY Cary
	REV. A	WC-REV. A.2	QC: Inspection item	CUSTOMER ALTW	APPROVED BY Jerry	DATE 2015-10-13	

THIS DOCUMENT IS SUBJECT TO CHANGE WITHOUT NOTICE. IT IS CONFIDENTIAL AND A PROPERTY OF Amphenol LTW. DISCLOSURE TO THIRD PARTY HAS TO BE AUTHORIZED BY Amphenol LTW.

THIS DOCUMENT IS SUBJECT TO CHANGE WITHOUT NOTICE. IT IS CONFIDENTIAL AND A PROPERTY OF AMPHENOL LTW. DISCLOSURE TO THIRD PARTY HAS TO BE AUTHORIZED BY AMPHENOL LTW.

1 2 3 4 5 6 7 8

F

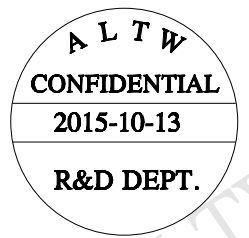
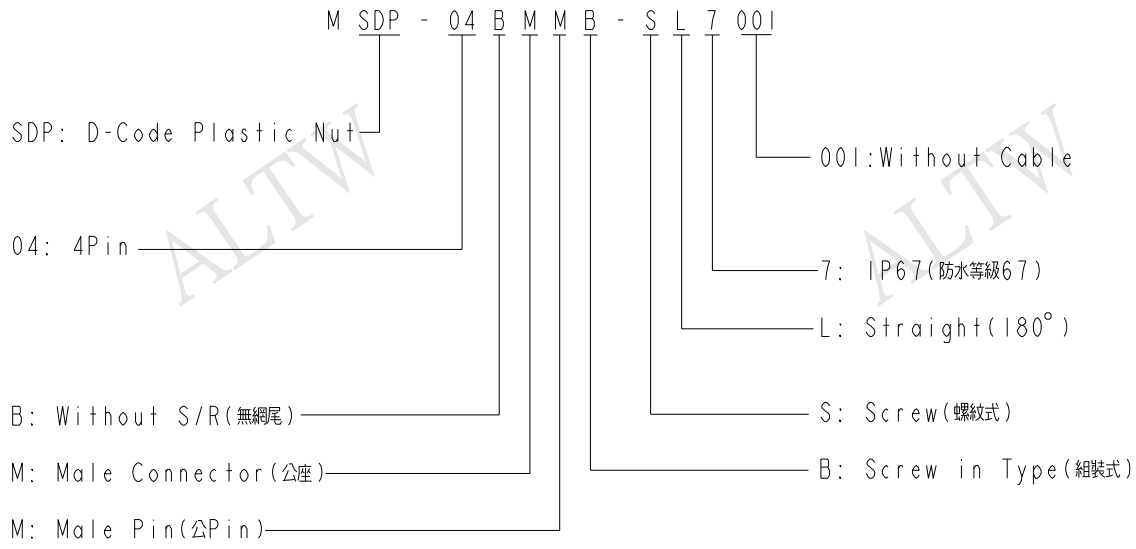
E

D

C

B

A



- Note:
- * Ⓞ Important Dimension To Check.
 - * Waterproof Rate: IP67
 - * Housing: Nylon, Black
 - * Male Pin: Copper Alloy, Gold Plated
 - * Male Nut: PBT+PC, Black
 - * Nut: PBT+PC, Black
 - * O-Ring: Silicon, Grey
 - * Clamp Ring: Nylon, Black
 - * Sealing Nut: PBT+PC, Black
 - * Seal: Silicon, Grey
 - * Seal For Cable OD: $\varnothing 4.0\text{mm} - \varnothing 8.0\text{mm}$
 - * Screws for Wire connection recommended tightening torque: 0.61~0.84 kgf.cm / 0.059~0.082 N.m
 - * Applicable Wire gauge (Stranded wire cross section) 0.14mm² (26AWG) ~ 0.82mm² (18AWG)
 - * Mating Recommended tightening torque: 3~4 kgf.cm / 0.29~0.39 N.m
 - * Sealing-Nut Recommended tightening torque: 4~6 kgf.cm / 0.39~0.59 N.m
 - * Detailed applicable wire specifications may vary depending on the actual wire construction.



UNIT:mm		
TOLERANCE		
±0.5mm		

TITLE M12 D-Code Unshielded Assy 4PIN M Conn. M Pin			
SCALE 1:1	SIZE A4	SHEET 2 OF 2	
REV. A	WC-REV. A.2	Ⓞ: Inspection item	

Amphenol LTW
安費諾亮泰企業股份有限公司

ITEM NO MSDP-04BMMB-SL7001	DRAWN BY Mila	DATE 2015-10-13
DWG NO MSDP-04BMMB-SL7001	CHECKED BY Cary	DATE 2015-10-13
CUSTOMER ALTW	APPROVED BY Jerry	DATE 2015-10-13

1 2 3 4 5 6 7 8 FMM10702-01-02A1